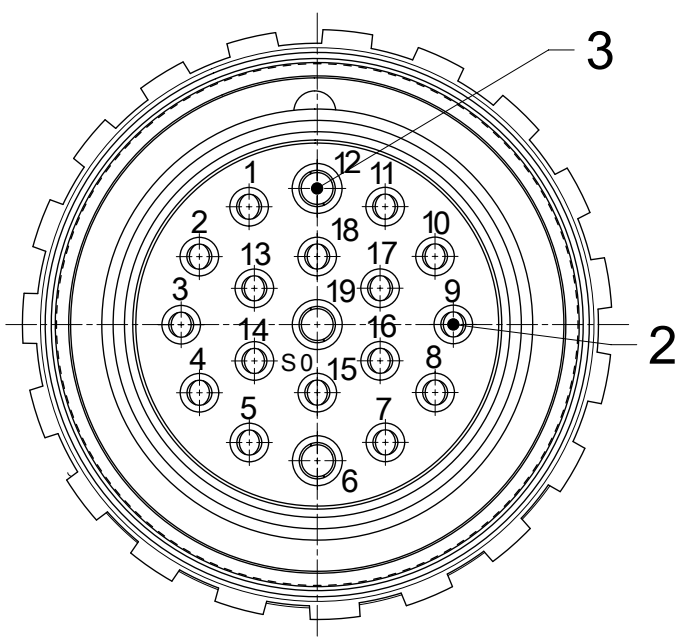


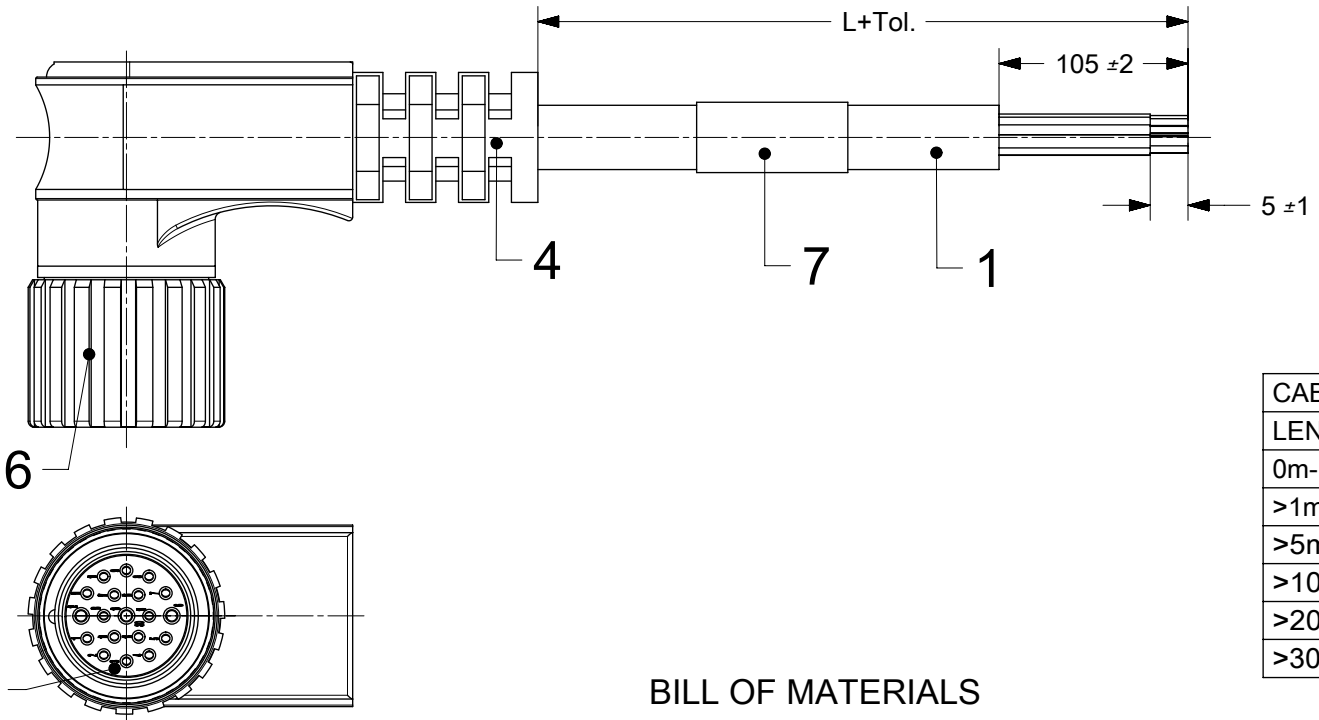
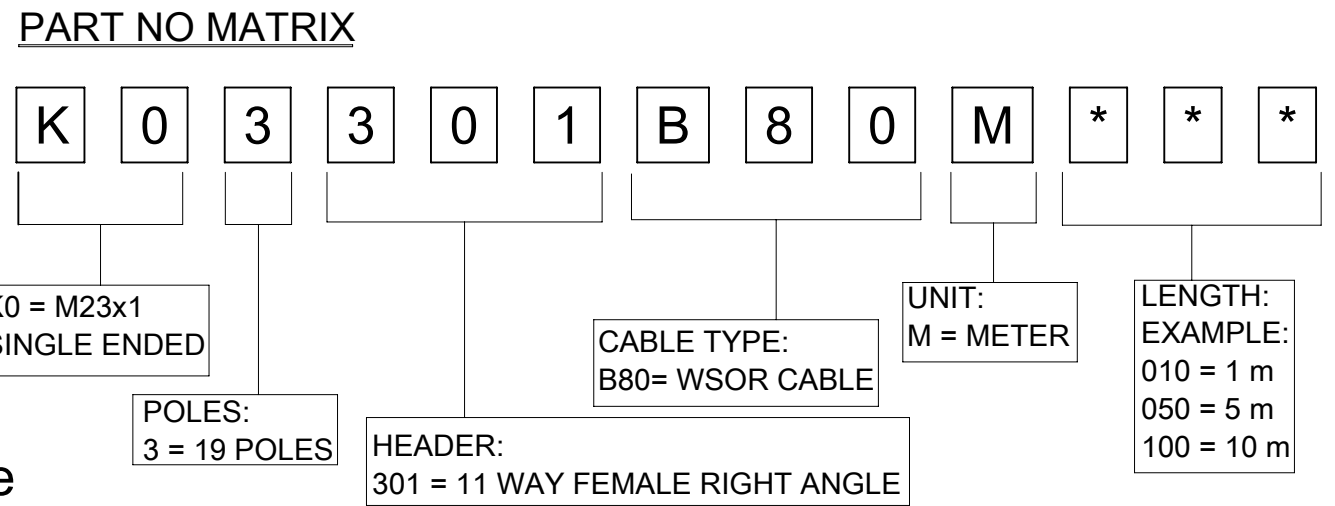
# Wiring Diagram

- 1 N/C
- 2 N/C
- 3 Gray
- 4 Red/Blue
- 5 Green
- 6 Blue
- 7 Gray/Pink
- 8 White/Green
- 9 N/C
- 10 N/C
- 11 N/C
- 12 Green/Yellow
- 13 N/C
- 14 Brown/Green
- 15 White
- 16 Yellow
- 17 N/C
- 18 N/C
- 19 Brown

## Connector Pin Assignment for M23 19 Pole Front Side View



Scale 3:1



View From The Front Side

### CABLE SPECIFICATION:

**CONDUCTOR A:**  
 MATERIAL: BARE COPPER  
 SECTION: 0.75mm<sup>2</sup>/19AWG  
 STRANDING: 42X0.15mm  
**INSULATION A:**  
 COMPOUND: TPE  
 DIAMETER: 1.75±0.10mm  
**CONDUCTOR B:**  
 MATERIAL: BARE COPPER  
 SECTION: 0.34mm<sup>2</sup>/22AWG  
 STRANDING: 42X0.10mm  
**INSULATION B:**  
 COMPOUND: TPE  
 DIAMETER: 1.30±0.10mm  
**JACKET:**  
 COMPOUND: TPU  
 COLOR: BLACK  
 DIAMETER: 8.50±0.25mm  
 TEMPERATURE RATING: -40°C TO +90°C  
 VOLTAGE RATING: 600V

LENGTH	TOLERANCE
0m-1m	+40 mm
>1m-5m	+60 mm
>5m-10m	+80 mm
>10m-20m	+140 mm
>20m-30m	+160 mm
>30m	+1% length

### BILL OF MATERIALS

POS.	QTY	DESCRIPTION	MATERIAL	FINISH
7	1	Standard Wrap Label	Vinyl	Yellow
6	1	M23 Female coupling nut	Brass	Nickel Plated
5	1	M23 Female insert 19P	TPU	Black
4	1	Overmould	TPU	Black
3	3	Contacts	Brass	Nickel Plated
2	16	Contacts	Bronze	Nickel Plated
1	L	Cable: 3X19AWG+8X22AWG	TPU WSOR	Black

TABLE 1

Molex P/N	Engineering P/N	Length L[mm]
1200948173	K03301B80M050	5000
1200948174	K03301B80M100	10000
1200948175	K03301B80M150	15000
1200948176	K03301B80M200	20000
1200948177	K03301B80M250	25000

### CONNECTOR SPECIFICATION:

VOLTAGE RATING	63V AC/DC
AMPERAGE RATING	6 AMPS
PROTECTION CLASS	IP67
OPERATING TEMPERATURE	-25°C to 90°C

THIS DRAWING CONTAINS INFORMATION THAT IS PROPRIETARY TO MOLEX ELECTRONIC TECHNOLOGIES, LLC AND SHOULD NOT BE USED WITHOUT WRITTEN PERMISSION

SYMBOLS: DIMENSION UNITS: mm, SCALE: 1:1, CURRENT REV DESC: CONNECTOR SPEC

GENERAL TOLERANCES (UNLESS SPECIFIED): ANGULAR TOL ± °, 4 PLACES ±, 3 PLACES ±, 2 PLACES ±, 1 PLACE ±, 0 PLACES ±

DRAFT WHERE APPLICABLE MUST REMAIN WITHIN DIMENSIONS

THIRD ANGLE PROJECTION

EC NO: 614480  
 DRWN: RSCHIEBER 2019/02/25  
 CHK'D: RSILLER 2019/04/03  
 APPR: RSILLER 2019/04/03

INITIAL REVISION:  
 DRWN: MMAJGAT 2016/04/15  
 APPR: MIWASIECZKO 2016/08/02

**molex**

CSE M23 19P SC FE RA WSOR XM SE

PRODUCT CUSTOMER DRAWING

DOCUMENT NUMBER: 1200948173, DOC TYPE: PSD, DOC PART: 00P, REVISION: A2

MATERIAL NUMBER: SEE TABLE 1, CUSTOMER: GENERAL MARKET, SHEET NUMBER: 1 OF 1