

6

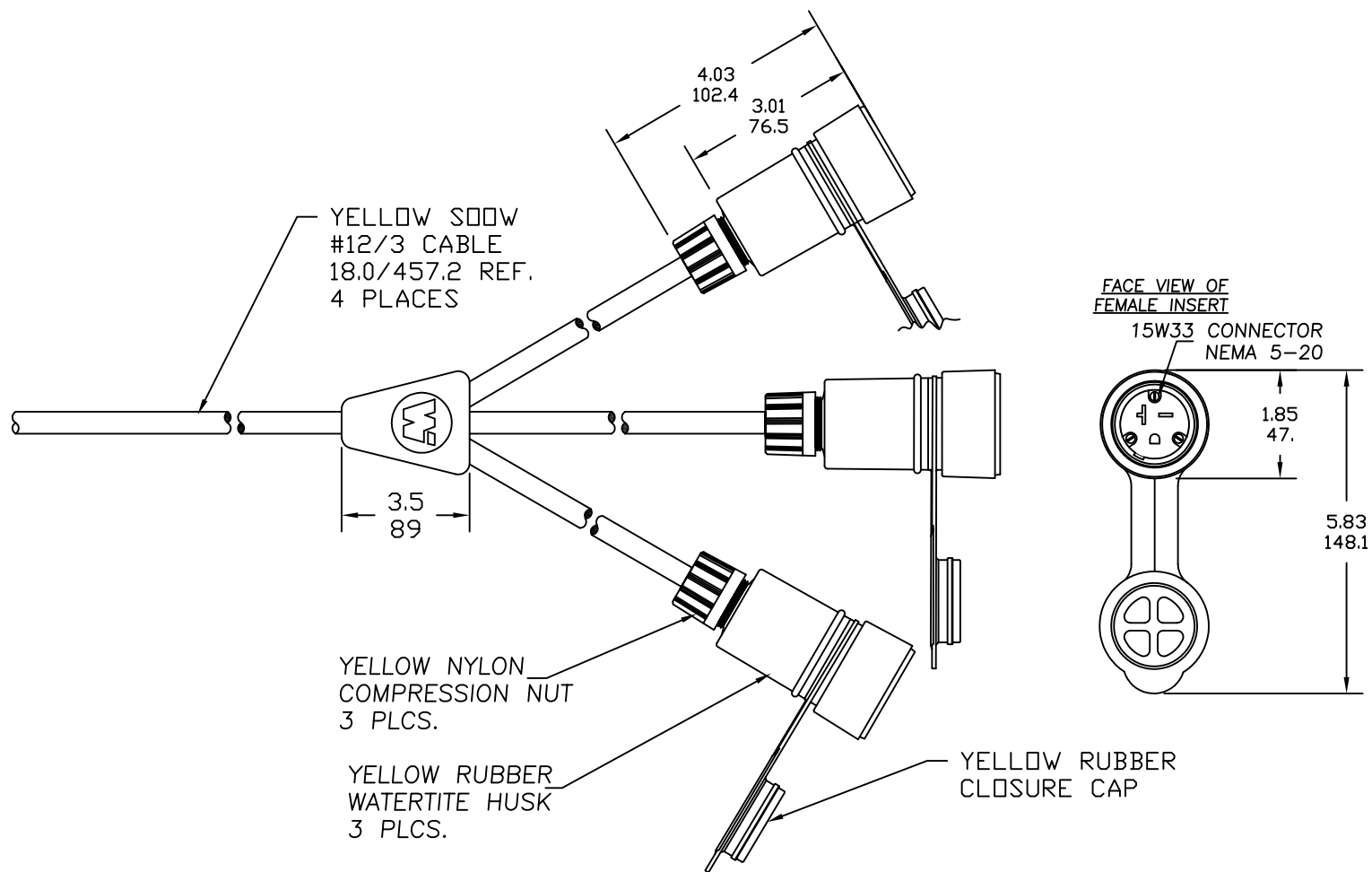
5

4

3

2

1



RELEASE DRAWING EC NO: WNA2010-0458 DRWN: TVICKERS 2010/01/21 CHKD: HKNELAN 2009/11/23 APPR: DTITUS 2010/01/28	QUALITY SYMBOLS	GENERAL TOLERANCES (UNLESS SPECIFIED)		DIMENSION STYLE	SCALE	DESIGN UNITS	THIRD ANGLE PROJECTION
	▽=0 ∇=0	mm	INCH	INCH	NTS	INCH	
		4 PLACES	±---	±---	DRAWN BY	DATE	TITLE
		3 PLACES	±---	±0.005	CHECKED BY	DATE	MOLDED "W" SPLICE NEMA 5-20 CONN. NO PLUG TOTAL 46.15" REF.
	2 PLACES	±0.13	±0.010	APPROVED BY	DATE	molex MOLEX INCORPORATED	
	1 PLACE	±0.25	±0.020	DTITUS	2010/01/28		DOCUMENT NO.
		ANGULAR ±1/2°		MATERIAL NO.		SD-130154-011	SHEET NO.
		DRAFT WHERE APPLICABLE MUST REMAIN WITHIN DIMENSIONS		SIZE	THIS DRAWING CONTAINS INFORMATION THAT IS PROPRIETARY TO MOLEX INCORPORATED AND SHOULD NOT BE USED WITHOUT WRITTEN PERMISSION		
A				A			

6

5

4

3

2

1