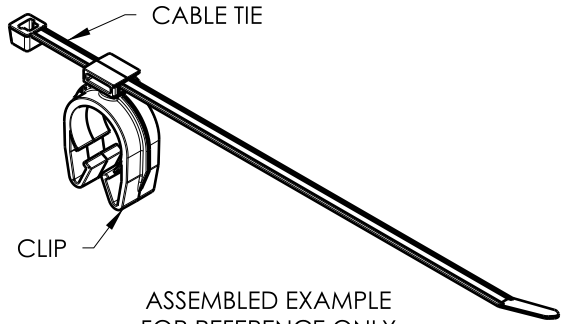
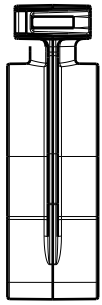
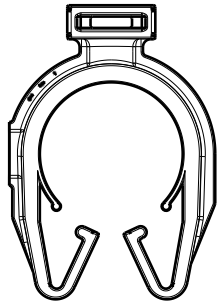
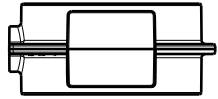
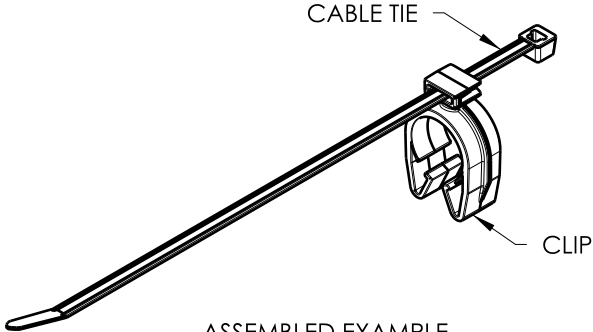


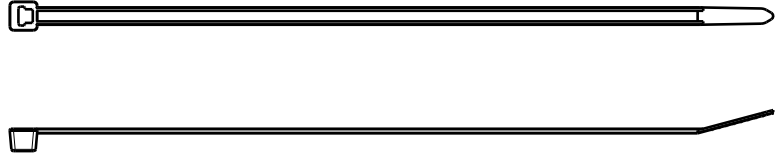
Revision Level			Revision Record	Changed	Date	Approved	Date
Drawing	State	Part					
00.0	Design Release	-	SEE ECN# 014926	EJH	2/19/19	TAT	2/20/19



ASSEMBLED EXAMPLE FOR REFERENCE ONLY OPTION 1



ASSEMBLED EXAMPLE FOR REFERENCE ONLY OPTION 2



T50R DELIVERY CONDITION: UNASSEMBLED SET

MOC19SAD  
DELIVERY CONDITION: UNASSEMBLED SET  
SCALE 1:1

TYPE	DIAMETER RANGE*
HARNESS	17.0MM-20.0MM
HOSE	17.0MM-20.0MM
HARD PIPE/TUBE	19.0MM-21.8MM

\*RECOMMENDED SIZES MAY DIFFER DEPENDING ON THE APPLICATION, PRODUCT REQUIREMENTS AND MATERIALS USED

\*\*PATENT PENDING 29/582,271

GLOBAL PART DESCRIPTION	BUNDLE RANGE	CABLE TIE			CLIP		
		DRAWING	MATERIAL	COLOR	DRAWING	MATERIAL	COLOR
T50RMOC19SAD-SET-PA66HIRHSUV-BK	4 TO 50	CT2050007CST	PA66HIRHSUV	BLACK	16-0322-008-CSU	PA66HIRHSUV	BLACK

Material  
SEE CHART  
COLOR: SEE CHART

Units millimeters  
Tolerance defined on each dimension

The copyright of this drawing is reserved by HellermannTyton. It is issued on condition that it is not reproduced, copied or disclosed to a third party, either wholly or in part, without the consent of HellermannTyton.

Drawn EJH 2/19/19  
Approved TAT 2/20/19

**HellermannTyton**

North America  
Email: corp@htamericas.com  
Web: www.hellermann.tyton.com

Article/Type-No T50RMOC19SAD-SET  
Title 19MM (3/4") MOC WITH T50R CABLE TIE  
Drawing-No PRODUCTION : Phase  
**16-0322-108-CSU**

Scale 1:2  
Project Number 16-0322  
Format AH  
Sheet 1/1