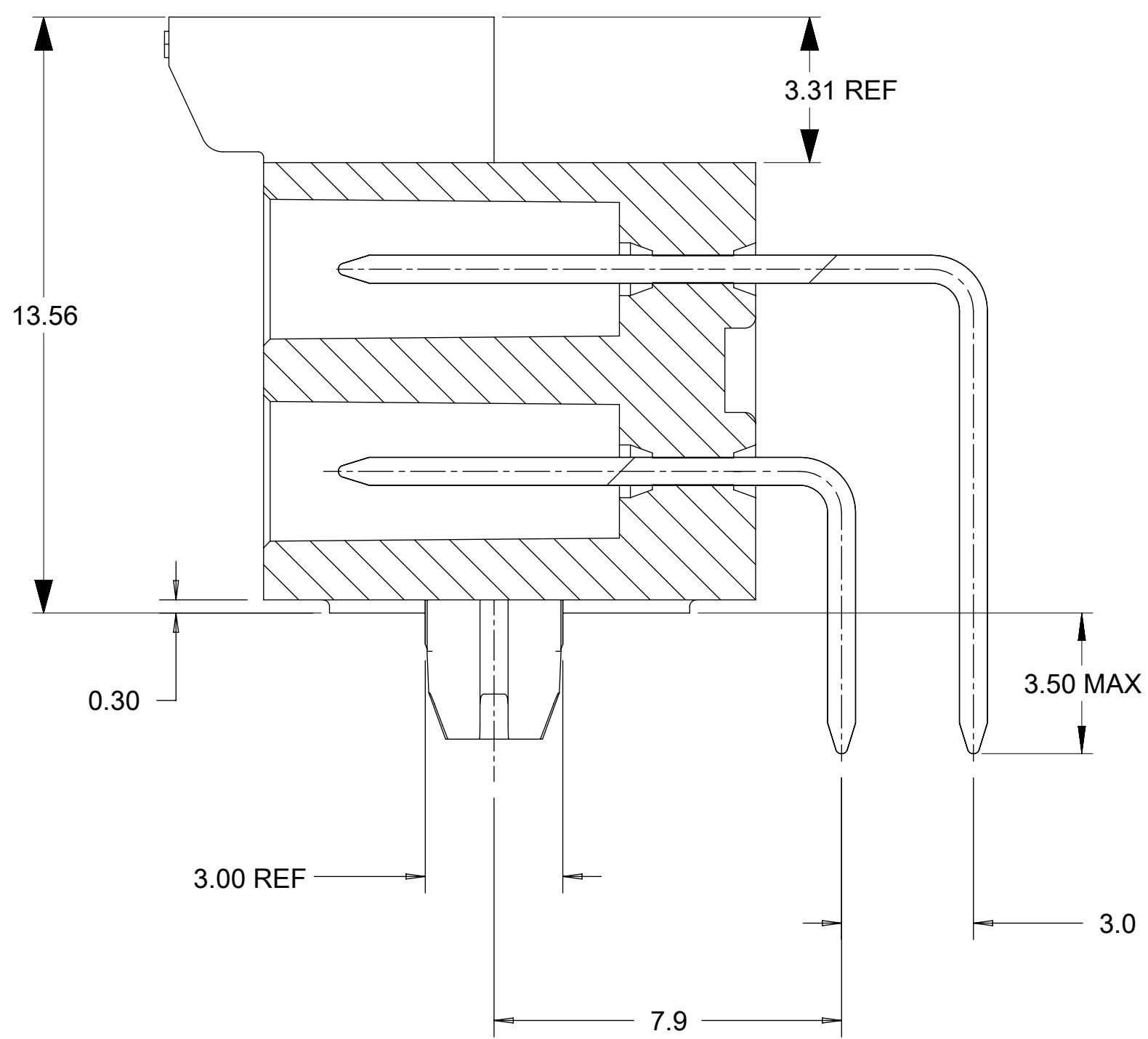
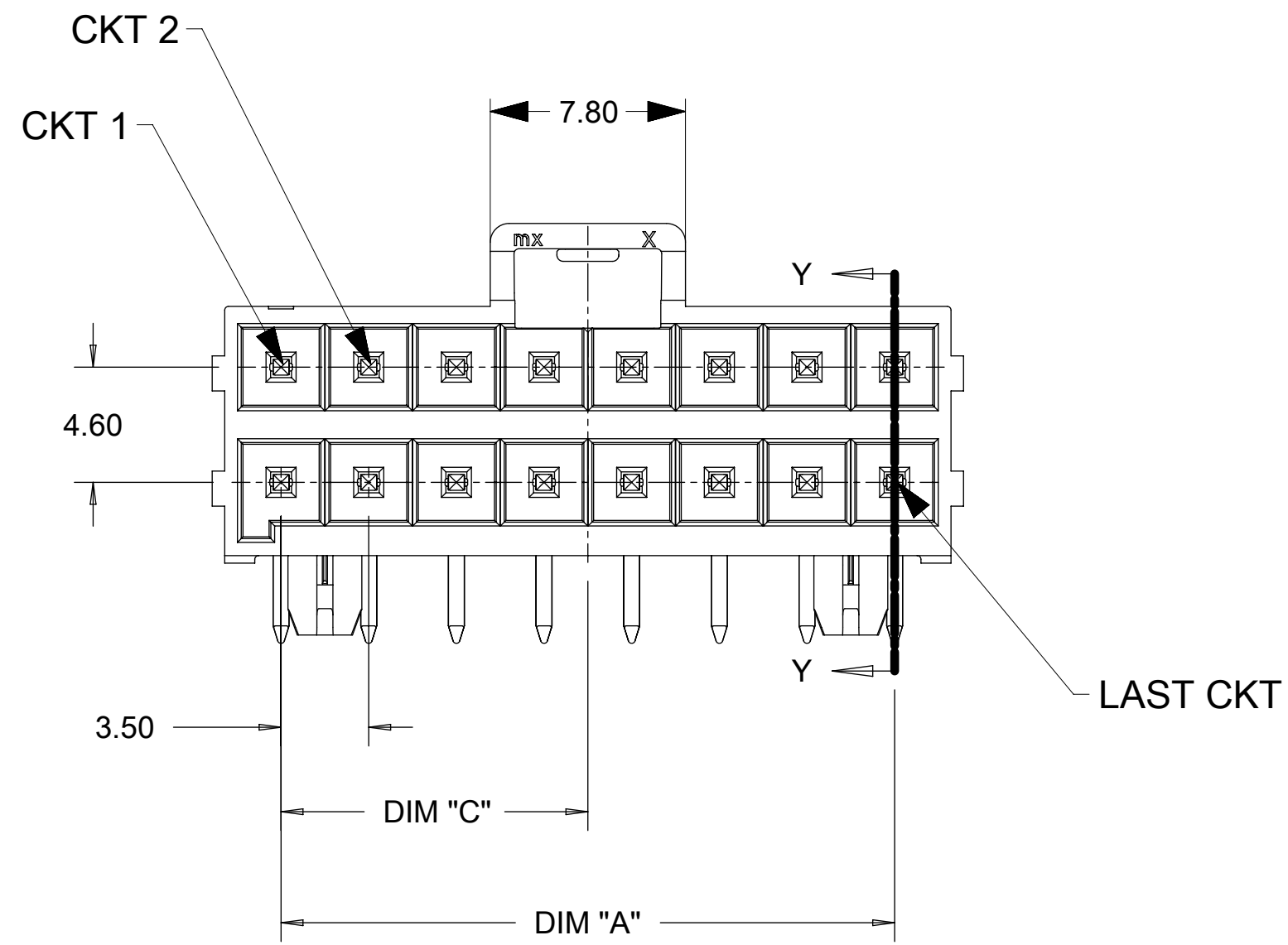
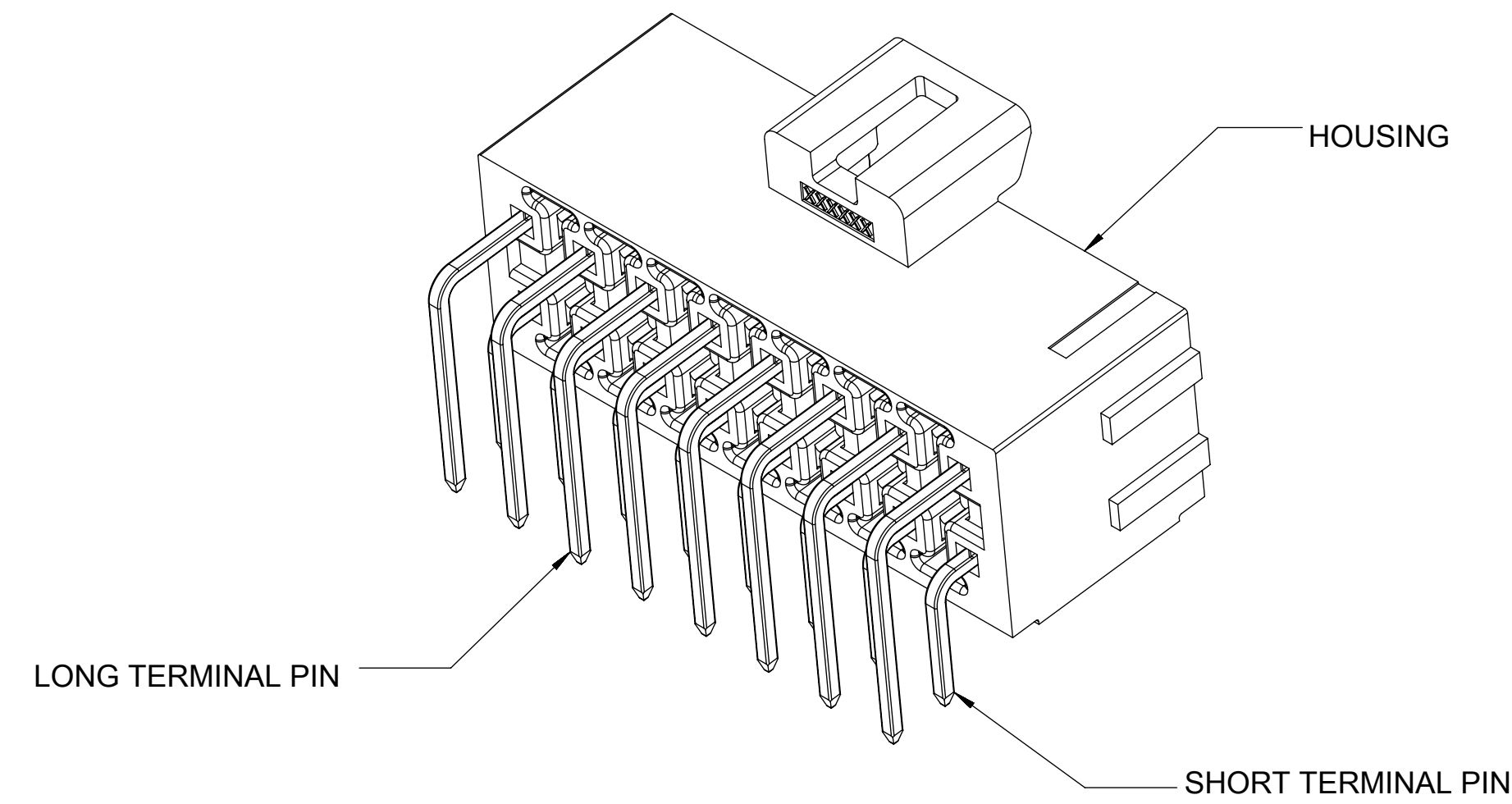
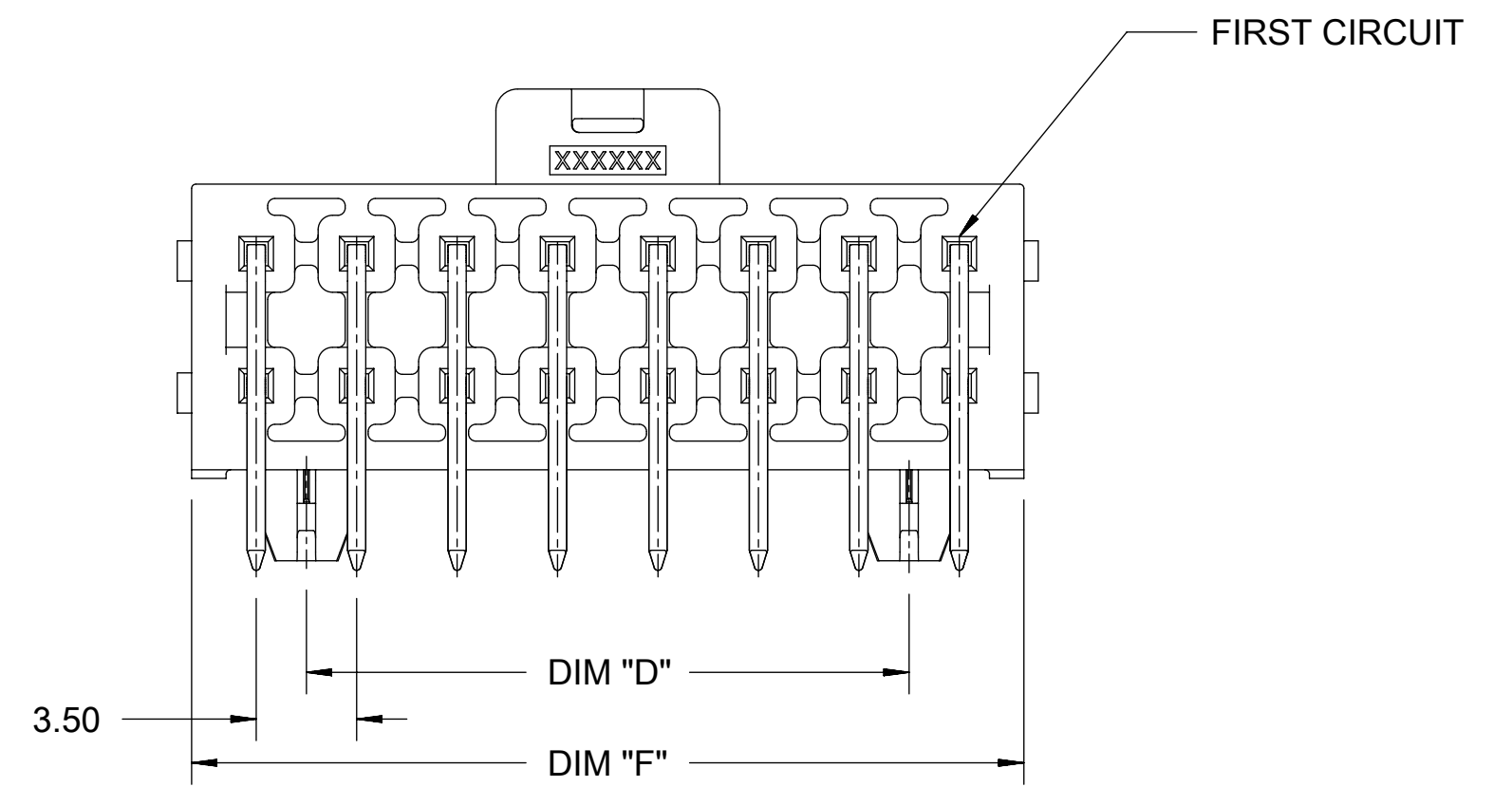


FIRST CIRCUIT MARK
(NOT SHOWING ON 4
AND 6 CIRCUITS SERIES)

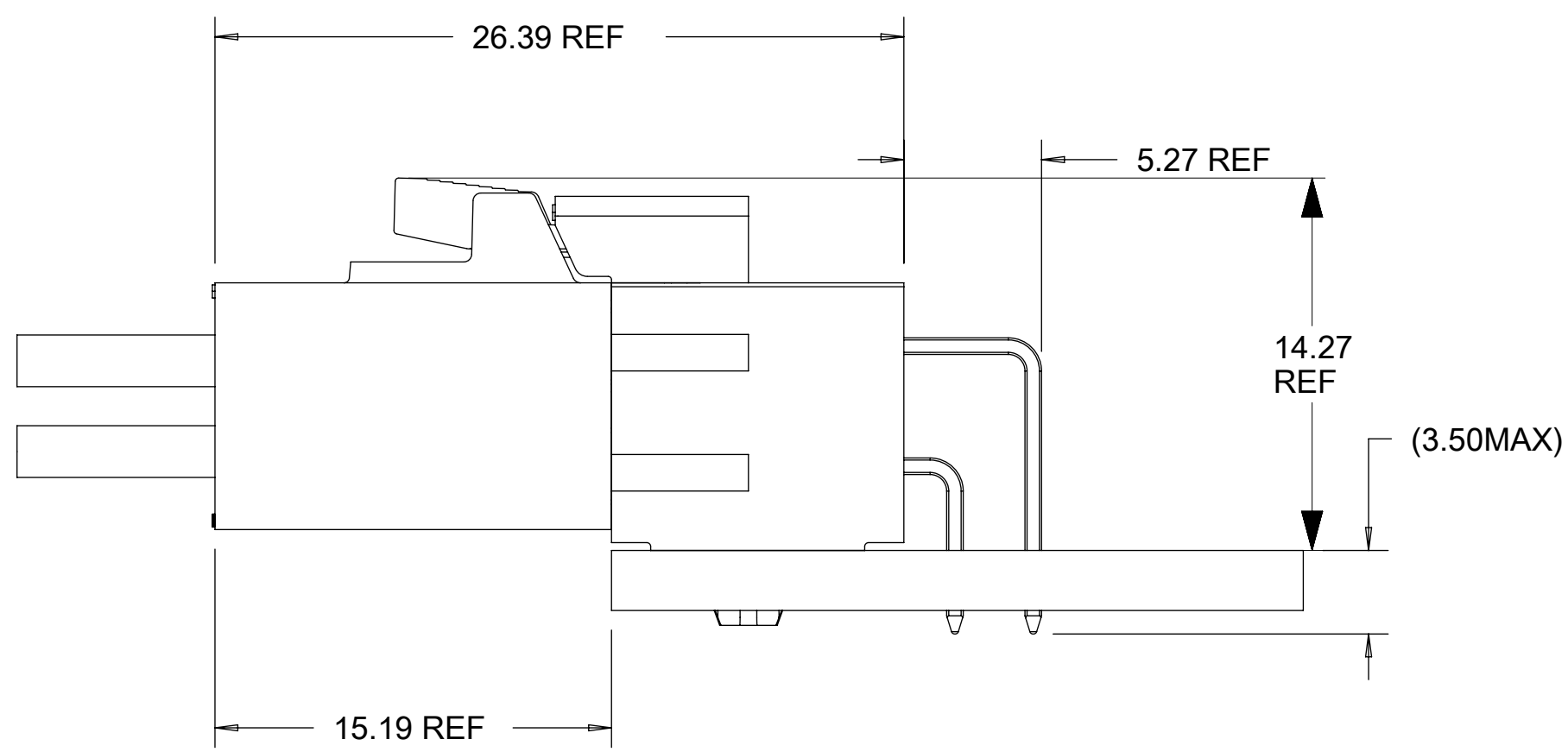


SECTION Y-Y
SCALE 8:1



NOTES:

- MATERIAL :
HOUSING
OPTION 1: LCP BLACK, UL94 V-0
OPTION 2: LCP NATURAL, UL94 V-0
TERMINAL: COPPER ALLOY
- PLATING FINISH:
OPTION 1 - 1.5µm(60µin)-2.5µm(100µin) TIN OVER
1.25µm(50µin)-2.5µm(100µin) NICKEL OVERALL
OPTION 2 - 0.35µm(15µin) GOLD CONTACT AREA,
1.5µm(60µin)-2.5µm(100µin) TIN TAIL AREA OVER
1.25µm(50µin)-2.5µm(100µin) NICKEL OVERALL
OPTION 3 - 0.70µm(30µin) GOLD CONTACT AREA,
1.5µm(60µin)-2.5µm(100µin) TIN TAIL AREA OVER
1.25µm(50µin)-2.5µm(100µin) NICKEL OVERALL
- PARTS TO BE PACKAGED PER 1723161114-PK.
- PRODUCT SPECIFICATION PS-172323-0001
- PART MATES WITH MOLEX RECEPTACLE HOUSING 172258 AND 172262
- PART CONFORMS TO CLASS "C" REQUIREMENTS OF SPECIFICATION PS-45499-002 WITH 0.13 MM MAXIMUM FLASH ALLOWED IN CORE HOLES AND FRONT SURFACE.
- DISCOLORATION IN THE BANDOLIER AREA OF THE PIN IS INHERENT TO THE PLATING PROCESS AND IS DUE TO THE MASKING EFFECT OF THE CARRIER. THIS DISCOLORATION IS IN A NON-FUNCTIONAL AREA OF THE PIN AND WILL NOT AFFECT THE PERFORMANCE OF THE HEADER ASSEMBLY.
- ASSEMBLY SPECIFICATION: AS-172323-0001.



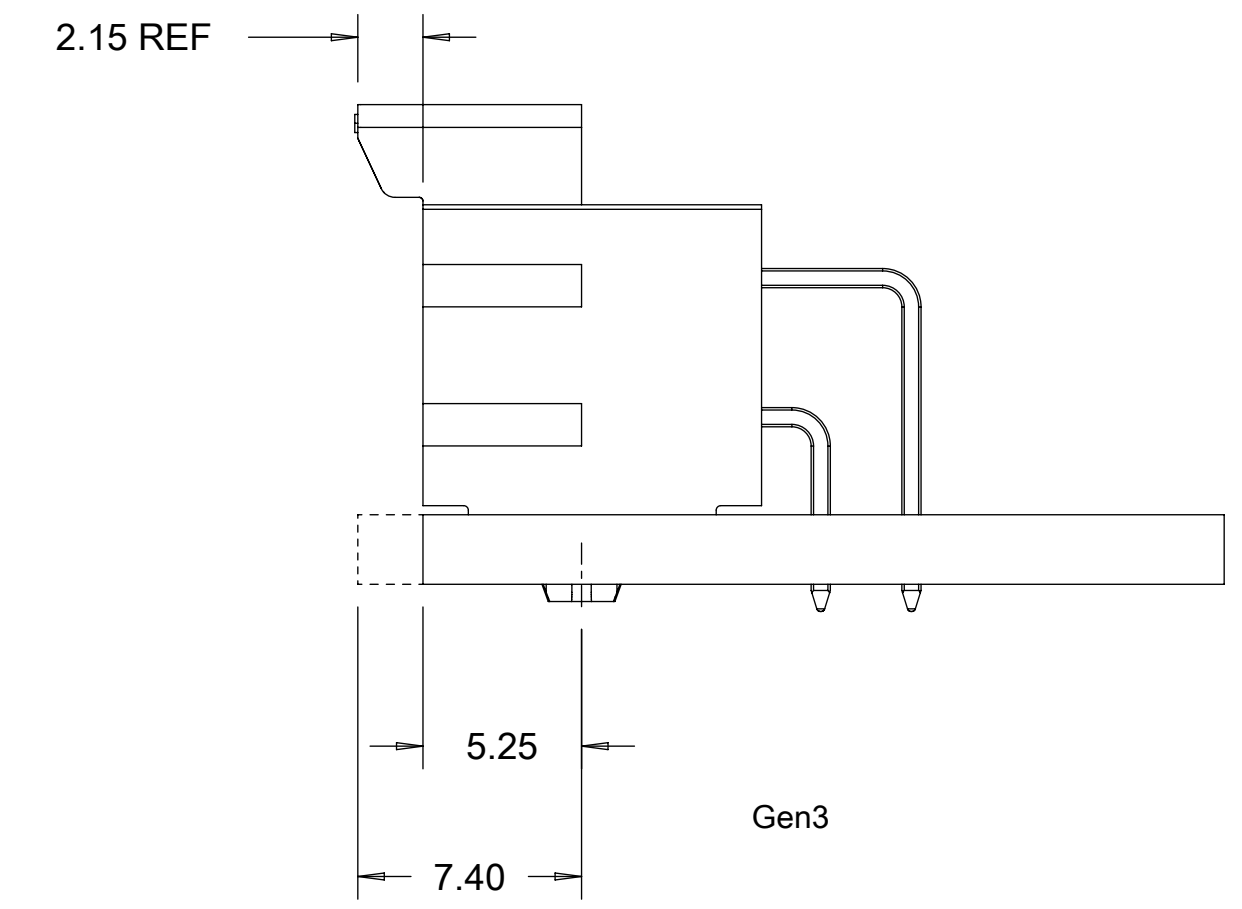
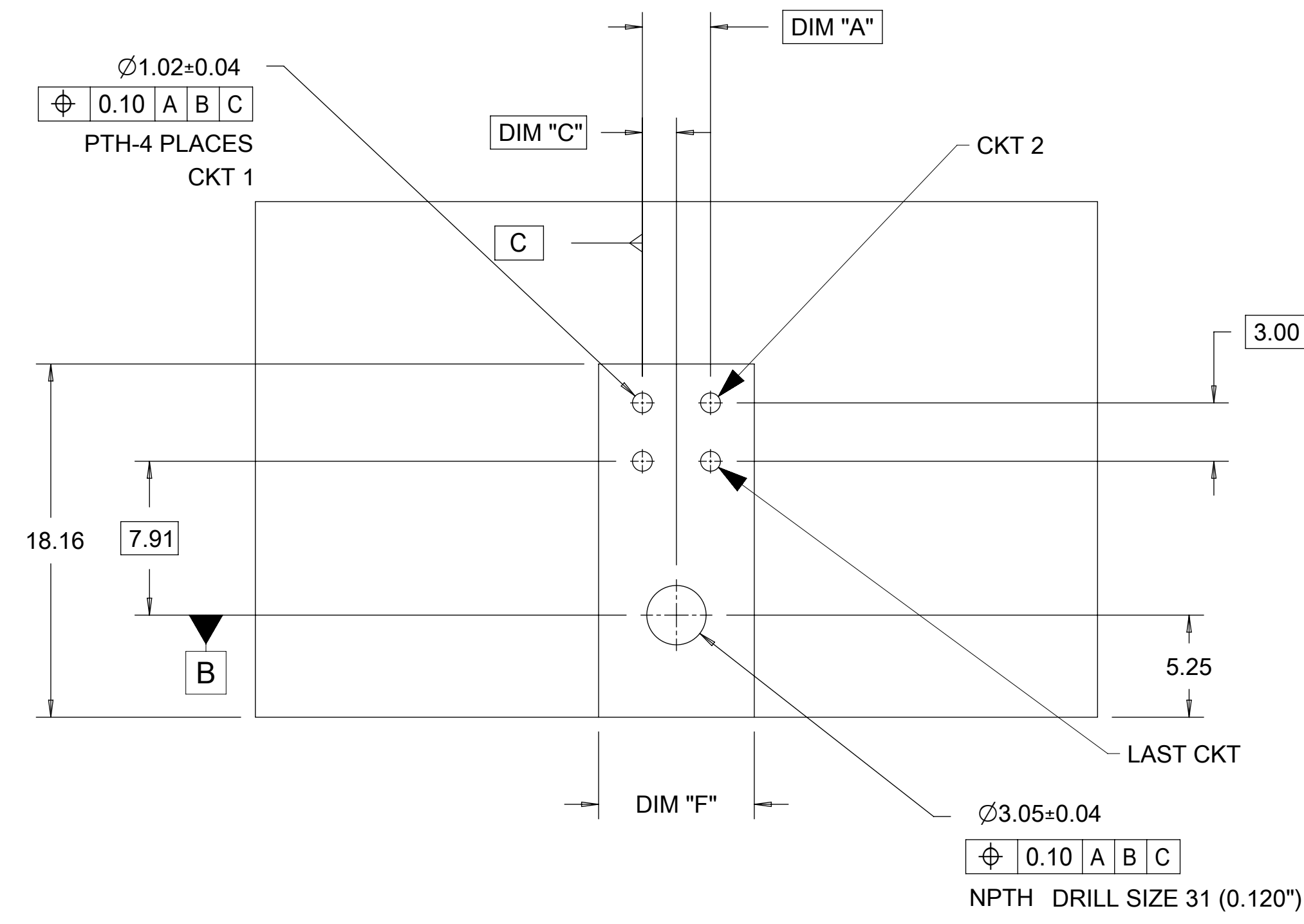
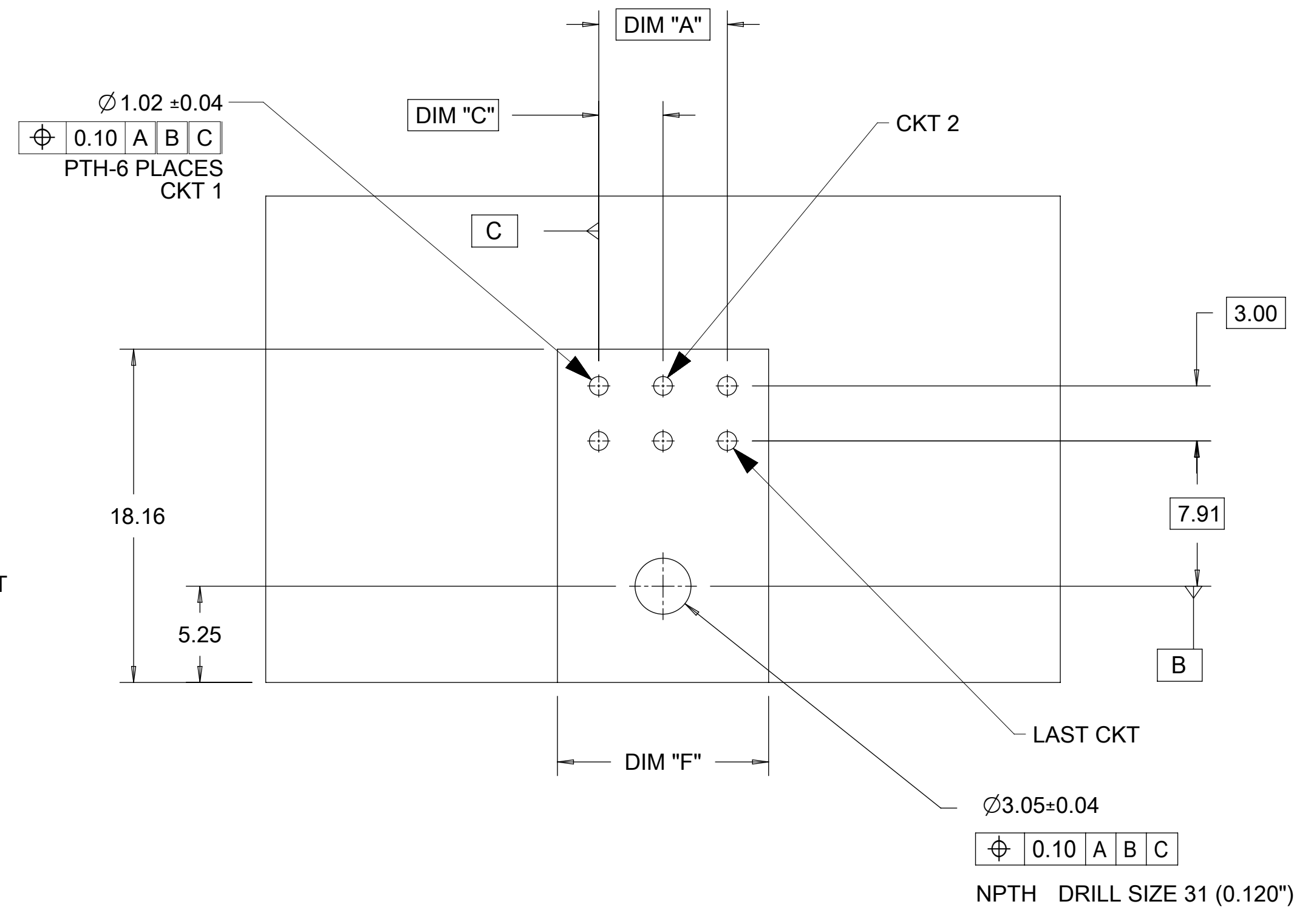
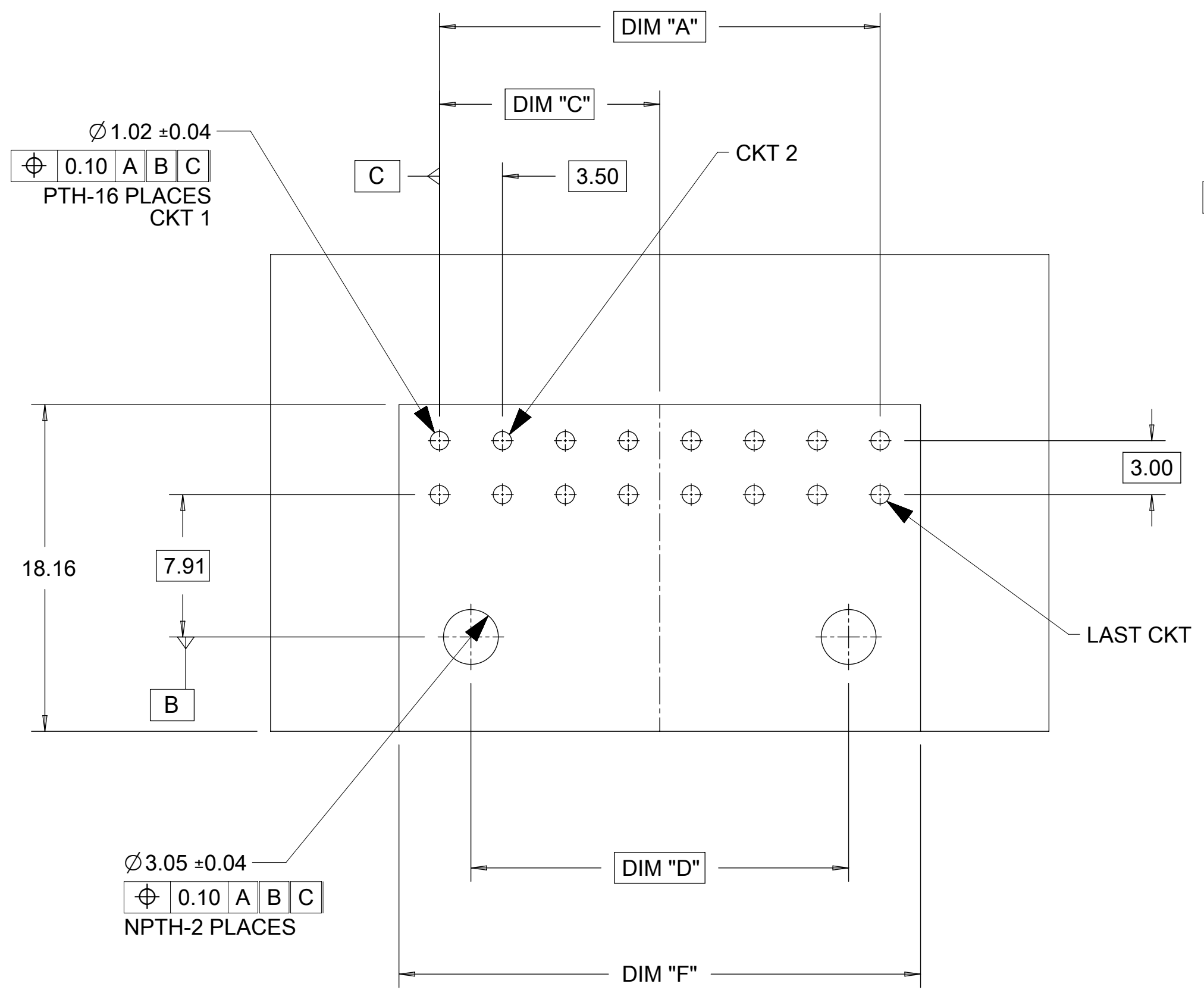
THIS DRAWING CONTAINS INFORMATION THAT IS PROPRIETARY TO MOLEX ELECTRONIC TECHNOLOGIES, LLC AND SHOULD NOT BE USED WITHOUT WRITTEN PERMISSION									
DIMENSION UNITS	SCALE	CURRENT REV DESC: RETRACTED P/N 1723161104.							
mm	1:1								
GENERAL TOLERANCES (UNLESS SPECIFIED)									
ANGULAR TOL	±	°							
4 PLACES	±	EC NO: 746290							
3 PLACES	±	DRWN: SANTHN 2023/04/14							
2 PLACES	±	CHK'D: GGA 2023/04/19							
1 PLACE	±	APPR: GGA 2023/04/19							
0 PLACES	±	INITIAL REVISION:							
DRAFT WHERE APPLICABLE MUST REMAIN WITHIN DIMENSIONS		THIRD ANGLE PROJECTION	DRAWING	SERIES	MATERIAL NUMBER	CUSTOMER	SHEET NUMBER		
			D-SIZE	172316	SEE TABLE	GENERAL MARKET	1 OF 3		

molex

ULTRA-FIT R/A HEADER
4-16 CKTS DUAL ROW

PRODUCT CUSTOMER DRAWING

DOCUMENT NUMBER: **SD-172316-1000** DOC TYPE: PSD DOC PART: 000 REVISION: **F8**



OPTION 1: LATCH FLUSH WITH PCB EDGE
OPTION 2: HOUSING BODY FLUSH WITH PCB EDGE

NOTE: DATUM -A- IS ON COMPONENT SIDE PCB

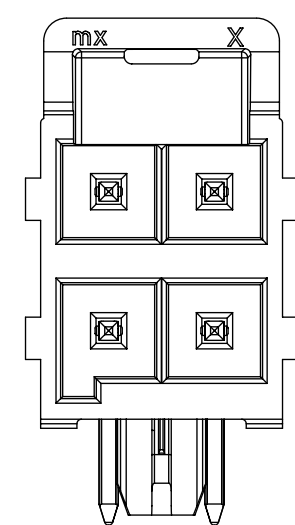
15 MICROINCH GOLD PLATING							
PART NO.	COLOR	CIRCUIT SIZE	KEY OPTION	DIM A	DIM F	DIM C	DIM D
172316-2206	NATURAL	6	KEY B	7.00	11.50	3.50	0.00
172316-2210	NATURAL	10	KEY B	14.00	18.50	7.00	10.50
172316-2216	NATURAL	16	KEY B	24.50	29.00	12.25	21.00

30 MICROINCH GOLD PLATING							
PART NO.	COLOR	CIRCUIT SIZE	KEY OPTION	DIM A	DIM F	DIM C	DIM D
172316-2304	NATURAL	4	KEY B	3.50	8.00	1.75	0.00

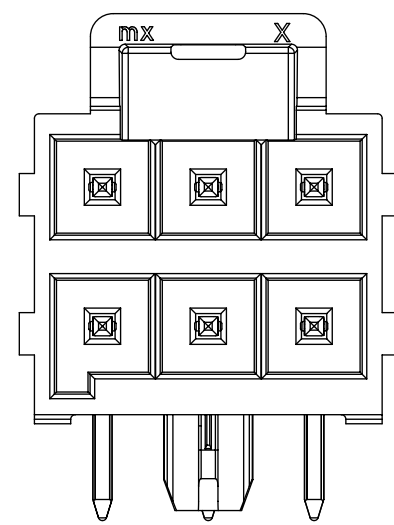
TIN PLATING							
PART NO.	COLOR	CIRCUIT SIZE	KEY OPTION	DIM A	DIM F	DIM C	DIM D
172316-1104	BLACK	4	KEY A	3.50	8.00	1.75	0.00

THIS DRAWING CONTAINS INFORMATION THAT IS PROPRIETARY TO MOLEX ELECTRONIC TECHNOLOGIES, LLC AND SHOULD NOT BE USED WITHOUT WRITTEN PERMISSION

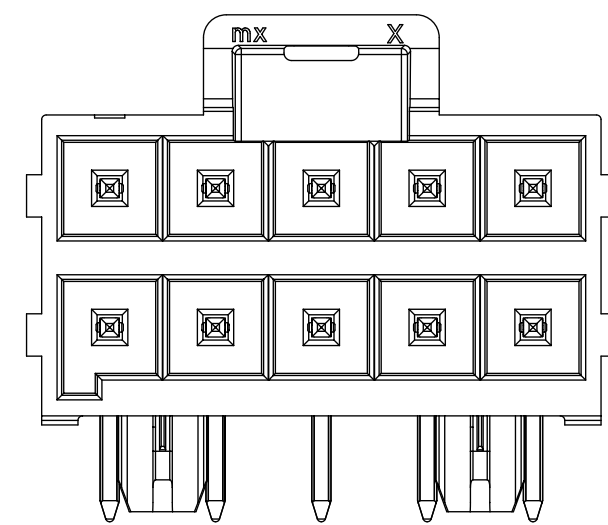
DIMENSION UNITS mm	SCALE 1:1	CURRENT REV DESC: RETRACTED P/N 1723161104.	
GENERAL TOLERANCES (UNLESS SPECIFIED)		molex ULTRA-FIT R/A HEADER 4-16 CKTS DUAL ROW PRODUCT CUSTOMER DRAWING	
ANGULAR TOL	± °		
4 PLACES	±		
3 PLACES	±		
2 PLACES	± 0.25		
1 PLACE	± 0.5	EC NO: 746290	2023/04/14
0 PLACES	±	DRWN: SANTHN	2023/04/19
DRAFT WHERE APPLICABLE MUST REMAIN WITHIN DIMENSIONS		APPR: GGA	2023/04/19
THIRD ANGLE PROJECTION		INITIAL REVISION:	DOCUMENT NUMBER
D-DRAWING		DRWN: DROSCA	SD-172316-1000
S-SERIES		APPR: JCOMERCI	PSD 000 F8
MATERIAL NUMBER		2014/03/06	DOC TYPE
CUSTOMER		2014/04/24	DOC PART
SEE TABLE		REVISION	
GENERAL MARKET		SHEET NUMBER	
2 OF 3			



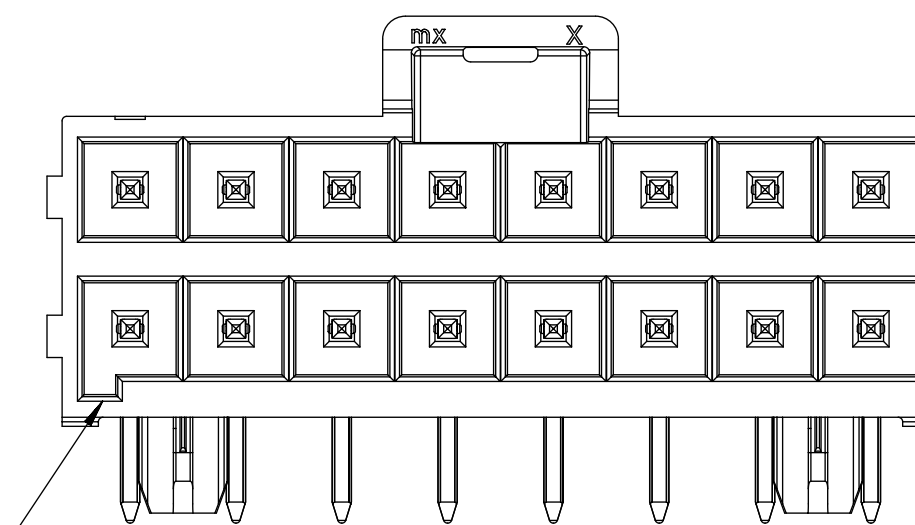
4 CKT



6 CKT

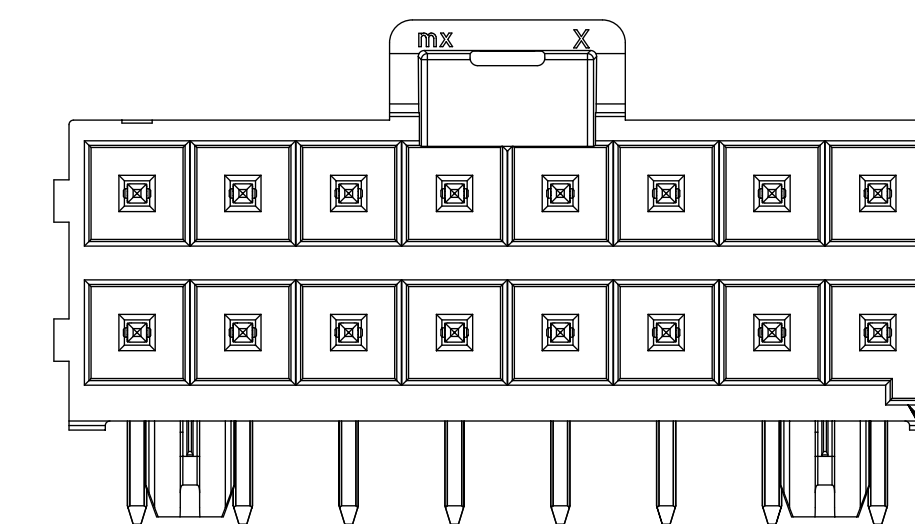


10 CKT



KEY A
(BLACK)

16 CKT



KEY B
(NATURAL)

THIS DRAWING CONTAINS INFORMATION THAT IS PROPRIETARY TO MOLEX ELECTRONIC TECHNOLOGIES, LLC AND SHOULD NOT BE USED WITHOUT WRITTEN PERMISSION											
DIMENSION UNITS		SCALE		CURRENT REV DESC: RETRACTED P/N 1723161104.							
mm		1:1		<div style="text-align: center; font-size: 24pt; font-weight: bold;">molex</div> <p>ULTRA-FIT R/A HEADER 4-16 CKTS DUAL ROW</p> <p>PRODUCT CUSTOMER DRAWING</p>							
GENERAL TOLERANCES (UNLESS SPECIFIED)											
ANGULAR TOL ± °											
4 PLACES ±		EC NO: 746290									
3 PLACES ±		DRWN: SANTHN 2023/04/14									
2 PLACES ± 0.25		CHK'D: GGA 2023/04/19									
1 PLACE ± 0.5		APPR: GGA 2023/04/19									
0 PLACES ±		INITIAL REVISION:		DOCUMENT NUMBER							
DRAFT WHERE APPLICABLE		THIRD ANGLE PROJECTION		DRAWING		SERIES		MATERIAL NUMBER		CUSTOMER	
MUST REMAIN WITHIN DIMENSIONS				D-SIZE		172316		SEE TABLE		GENERAL MARKET	
								SD-172316-1000		PSD 000 F8	
										3 OF 3	

DOCUMENT STATUS	P1	RELEASE DATE	2023/04/19 07:10:09
-----------------	----	--------------	---------------------