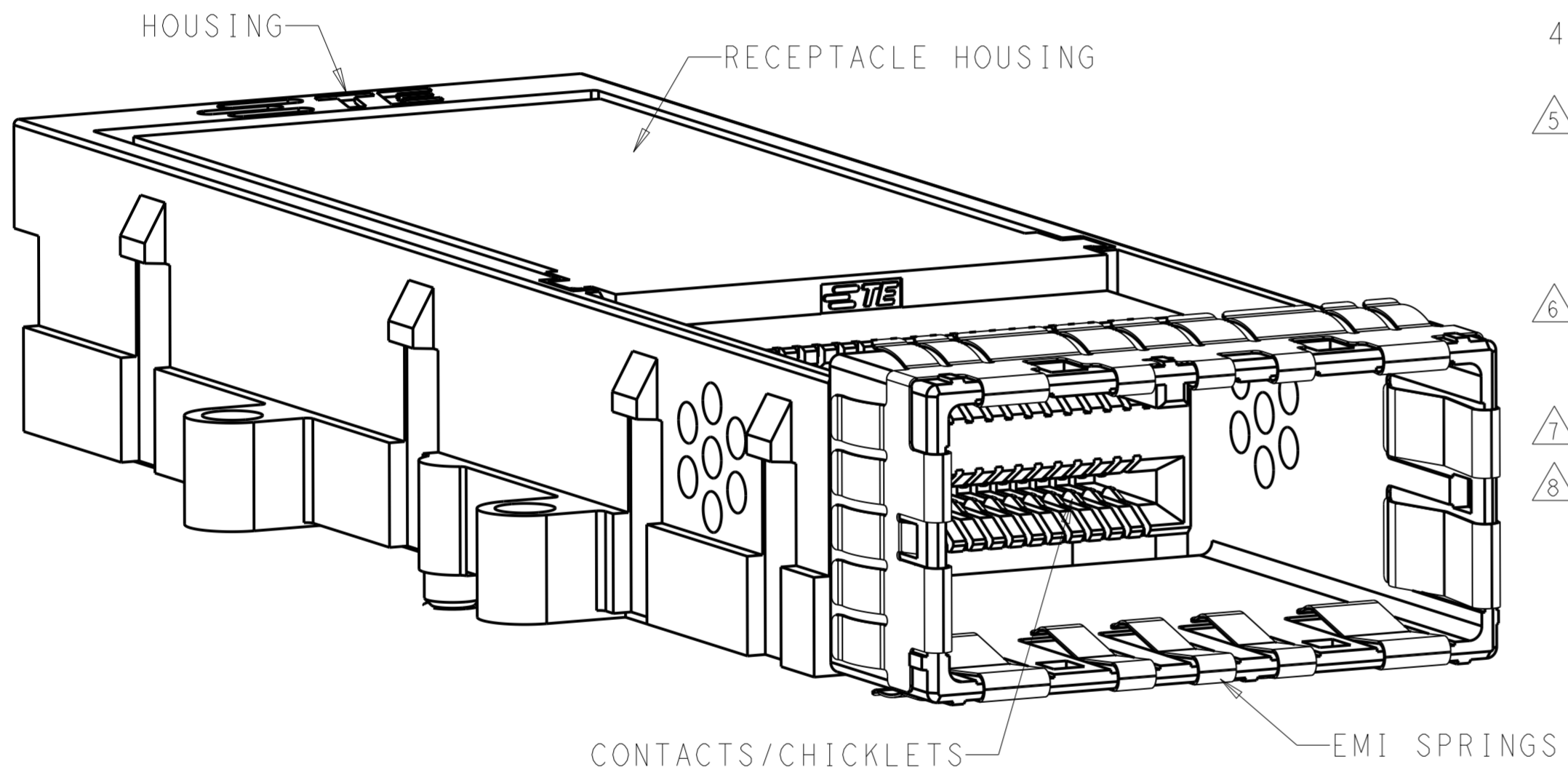


THIS DRAWING IS UNPUBLISHED. RELEASED FOR PUBLICATION 20
 © COPYRIGHT 20 BY - ALL RIGHTS RESERVED.

REVISIONS				
P	LTR	DESCRIPTION	DATE	APVD
	A	RELEASED ECO-14-002997	24MAR2014	LAW SB

- 1 MATERIALS:
 HOUSING - ZINC ALLOY
 RECEPTACLE HOUSING - LCP, BLACK, UL 94V-O RATED
 CHICKLET - LCP, BLACK, UL 94V-O RATED
 CONTACT - PHOSPHOR BRONZE
 EMI SPRING - COPPER ALLOY
- 2 FINISH:
 CONTACT - CONFORMS TO THE REQUIREMENTS OF TE
 PRODUCT SPECIFICATION 108-2426, BASED ON EIA/ECA-364-1000.01A,
 (CONTROLLED ENVIRONMENT APPLICATIONS) ON MATING INTERFACE,
 MATTE TIN PLATE OVER NICKEL UNDER PLATE ON COMPLIANT PIN
 HOUSING - NICKEL PLATE
- 3 NOTE DELETED
- 4 MOUNTING HARDWARE REQUIRED:
 M2X0.4 (4): MOUNTING SCREW LENGTH = BOARD THICKNESS + 8mm MAX
- 5 THE ENTIRE AREA OF THE CONNECTOR FOOTPRINT, INDICATED
 BY CROSSHATCHING, TO BE CONSIDERED THE KEEPOUT AREA FOR
 COMPONENTS AND SIGNAL TRACES, TOP SIDE ONLY, TOP SIDE
 TRACES ALLOWED WITHIN CONNECTOR HOLE PATTERN, CROSSHATCHING
 TO BE CONDUCTIVE
- 6 FEATURES IN PHANTOM LINES ARE RELATED TO USE WITH
 CONNECTOR PN 2149701-X AND GANGED SIDE BY SIDE APPLICATION
- 7 PCB THICKNESS = 1.44 MIN
- 8 FOR HOLE SIZE AND FINISHES SEE APPLICATION SPECIFICATION 114-13283



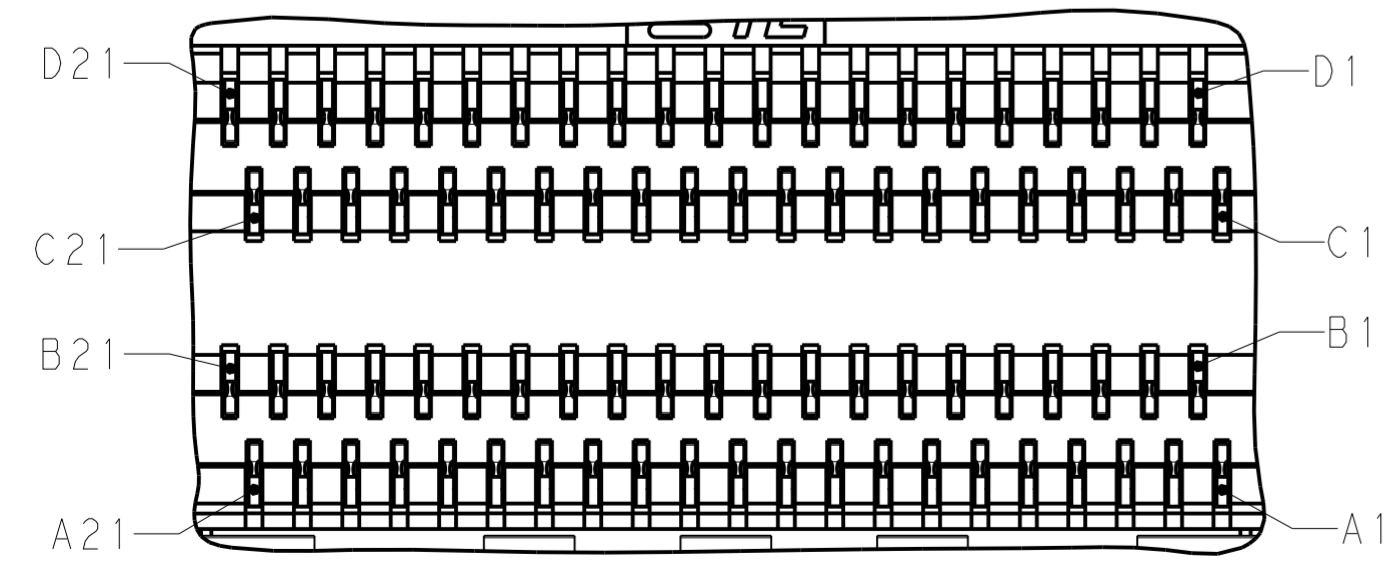
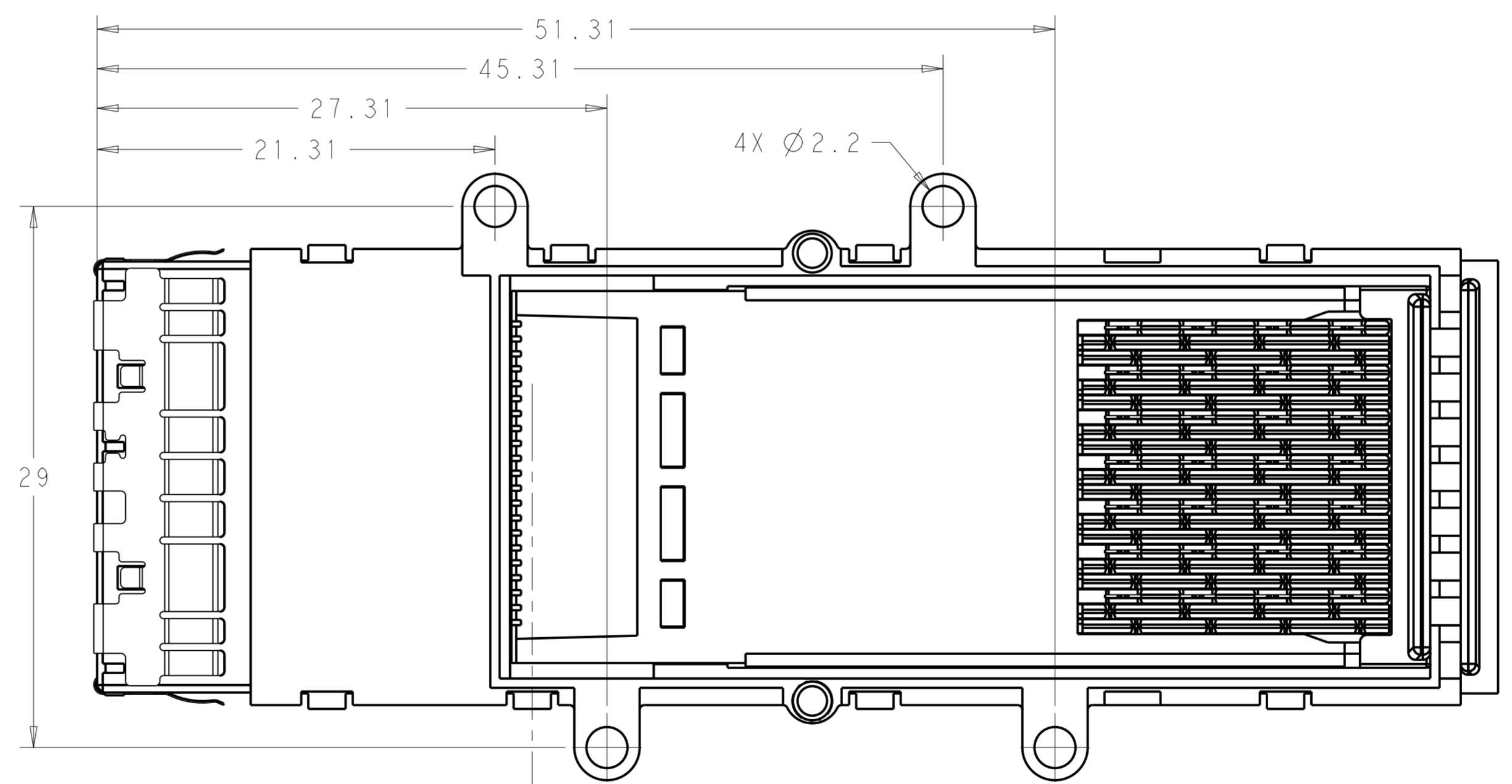
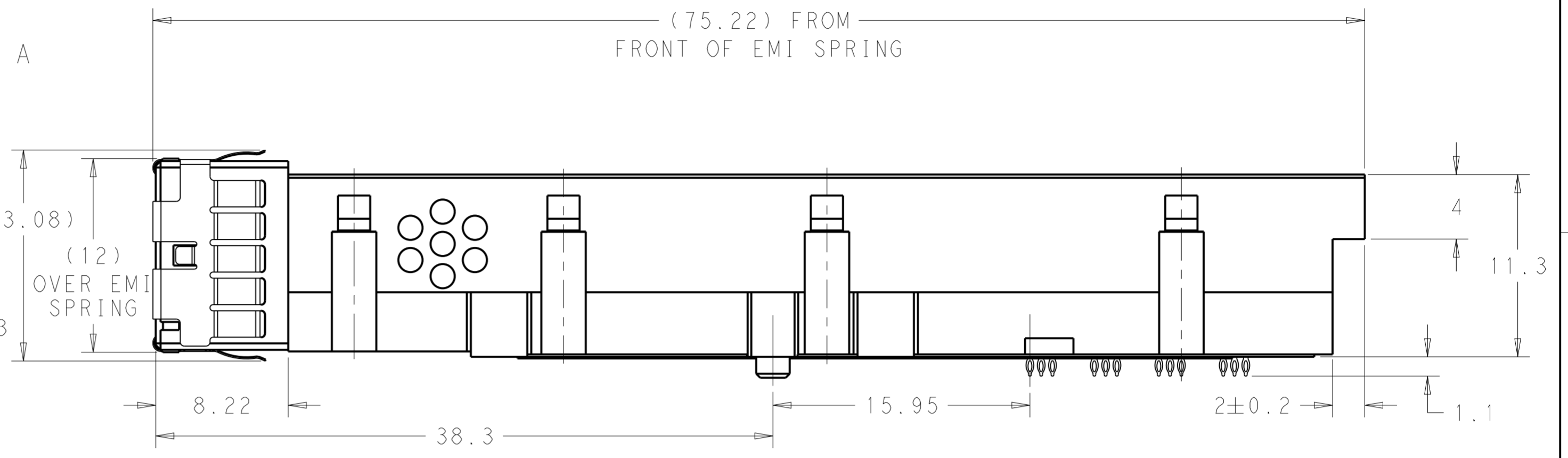
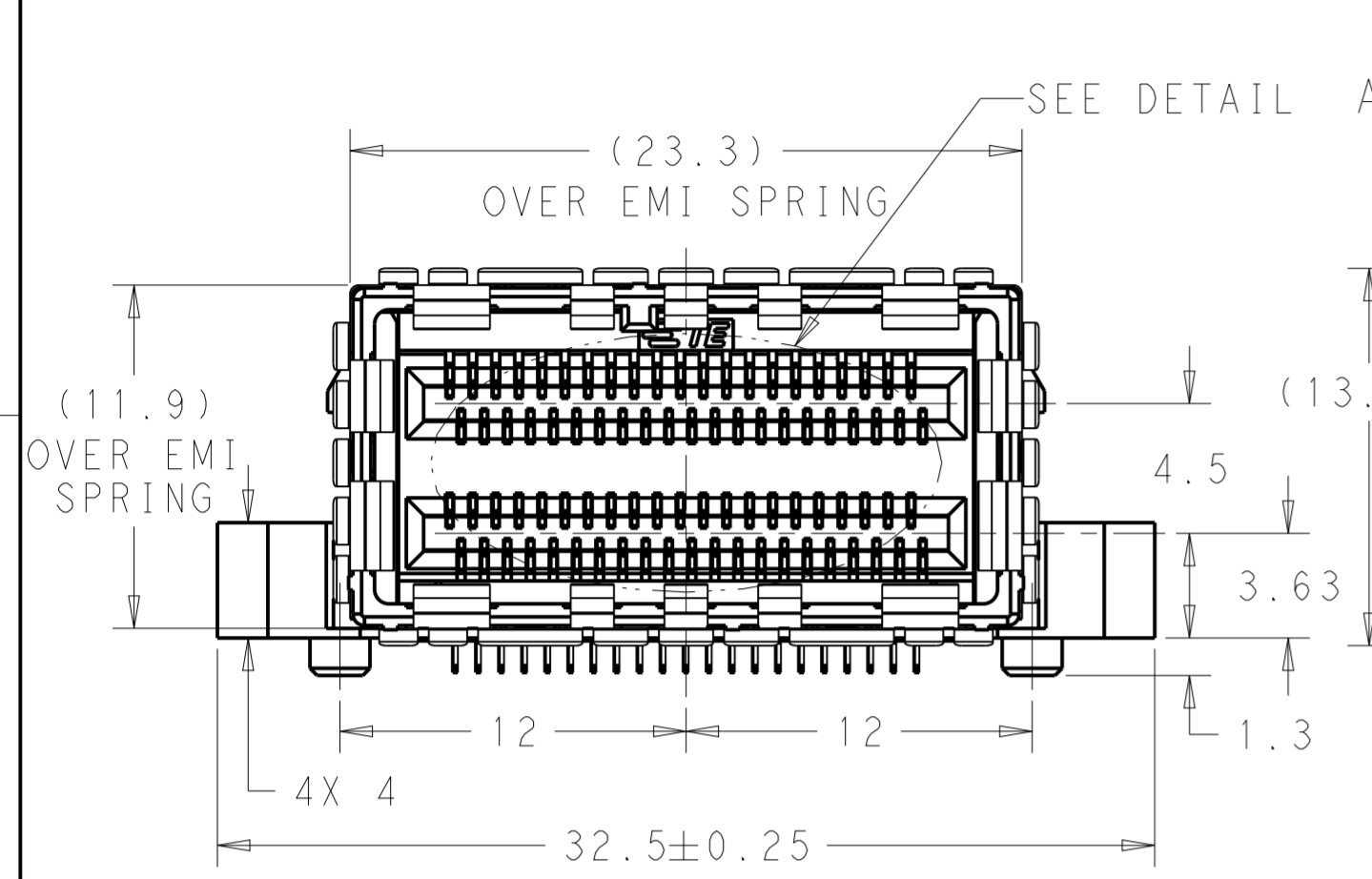
2149733-1
 SCALE 5:1

OBSOLETE	3	84 POSITION RECEPTACLE ASSEMBLY	2149733-2
	2	84 POSITION RECEPTACLE ASSEMBLY	2149733-1
	FINISH	DESCRIPTION	PART NUMBER

THIS DRAWING IS A CONTROLLED DOCUMENT. DIMENSIONING AND TOLERANCING PER ASME Y14.5M-2009		DWN M.E. COWHER 16SEP2010 CHK M.D. MORRISON 23SEP2010 APVD M.D. MORRISON 23SEP2010	STE TE Connectivity	
DIMENSIONS: mm	TOLERANCES UNLESS OTHERWISE SPECIFIED: 0 PLC ±0.15 1 PLC ±0.15 2 PLC ±0.15 3 PLC ± 4 PLC ± ANGLES ±1° FINISH	PRODUCT SPEC 108-2426 APPLICATION SPEC 114-13283 WEIGHT -	NAME RECEPTACLE ASSEMBLY, BELLY-BELLY, EXTENDED, 84 POSITION, CXP	
MATERIAL 1	2	SIZE A2 CAGE CODE 00779 DRAWING NO. C-2149733	RESTRICTED TO -	
Customer Drawing		SCALE 1:1	SHEET 1 OF 4	REV A

THIS DRAWING IS UNPUBLISHED. RELEASED FOR PUBLICATION 20
 © COPYRIGHT 20 BY - ALL RIGHTS RESERVED.

REVISIONS				
P	LTR	DESCRIPTION	DATE	APVD
-	-	SEE SHEET 1	-	-



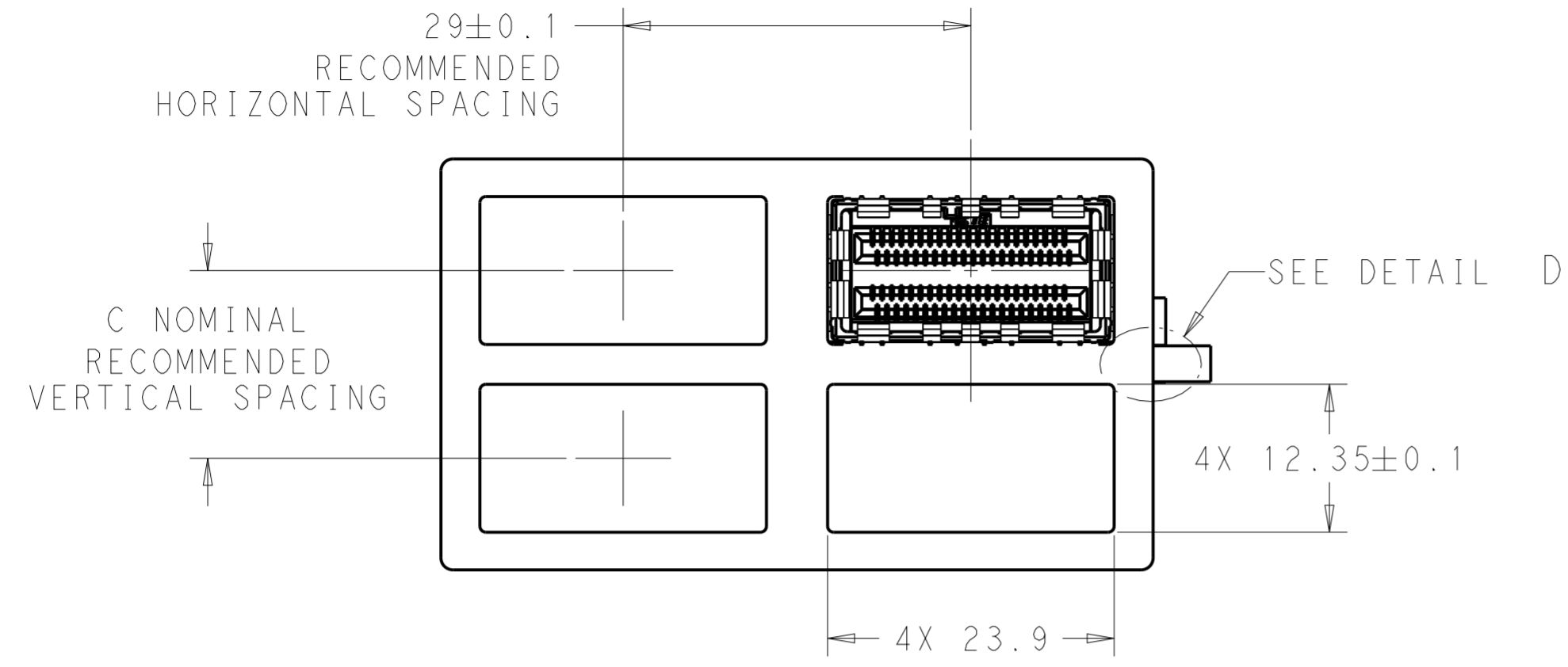
DETAIL A
 RECOMMENDED PIN CALLOUT
 SCALE 8:1

2149733-1
 SCALE 4:1

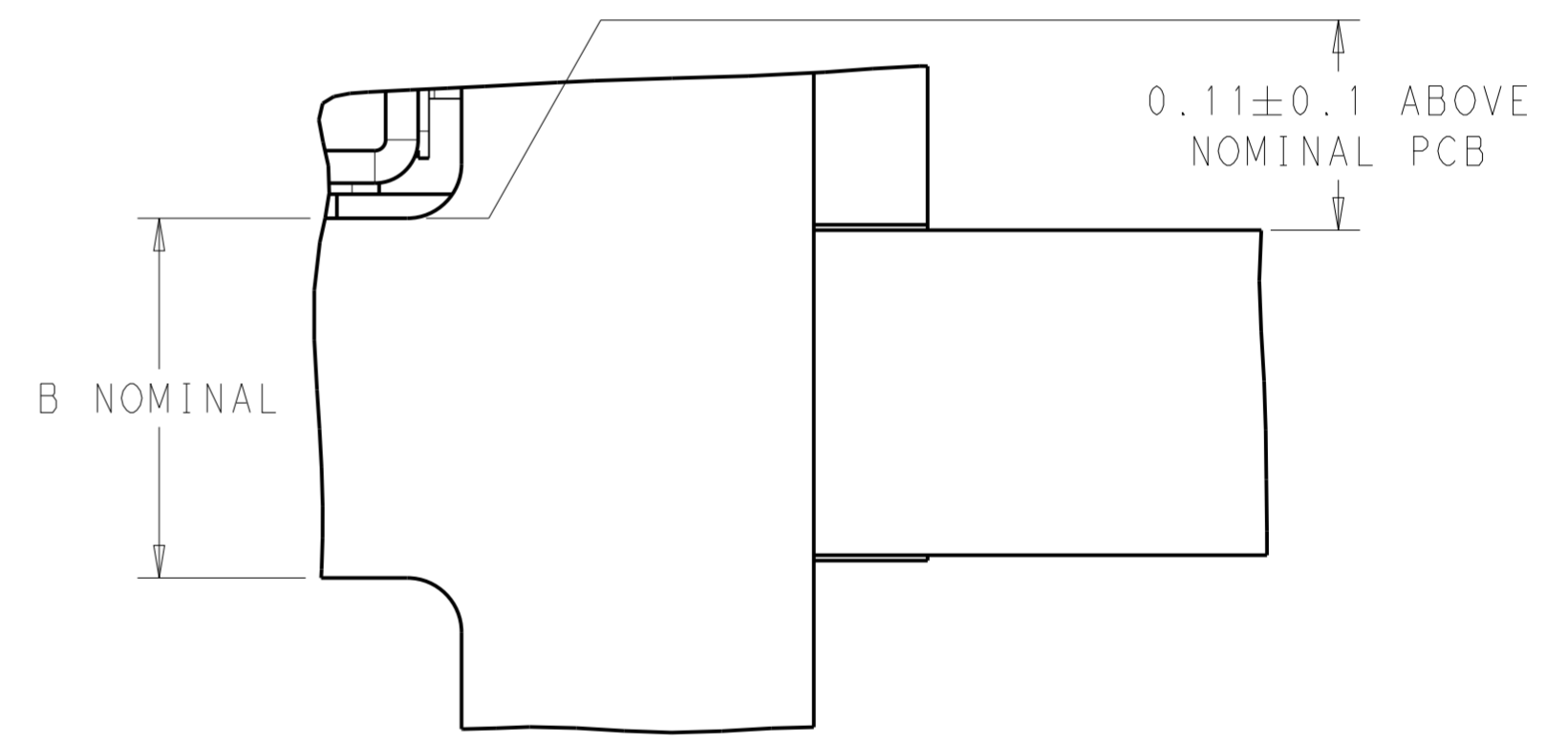
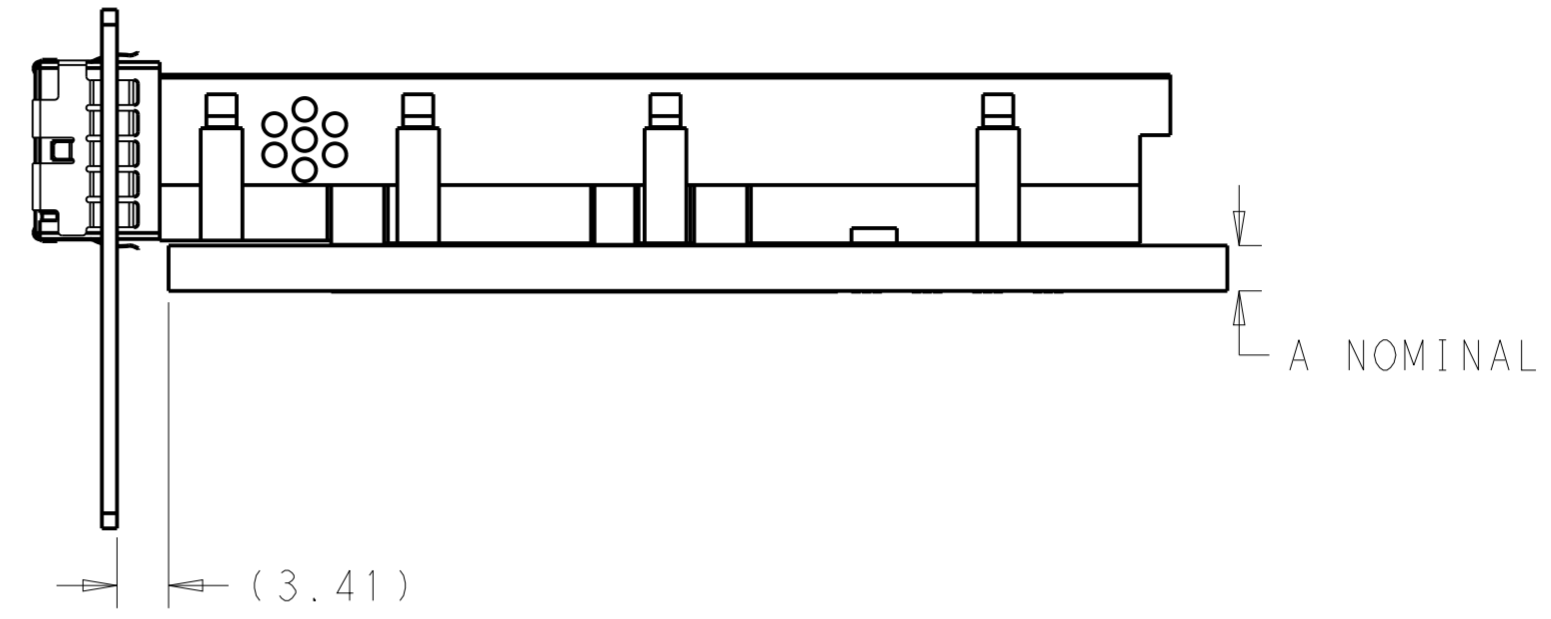
THIS DRAWING IS A CONTROLLED DOCUMENT. DIMENSIONING AND TOLERANCING PER ASME Y14.5M-2009		DWN M.E. COWHER 16SEP2010 CHK M.D. MORRISON 23SEP2010 APVD M.D. MORRISON 23SEP2010	TE Connectivity RECEPTACLE ASSEMBLY, BELLY-BELLY, EXTENDED, 84 POSITION, CXP	
DIMENSIONS: mm	TOLERANCES UNLESS OTHERWISE SPECIFIED: 0 PLC ±0.15 1 PLC ±0.15 2 PLC ±0.15 3 PLC ± 4 PLC ± ANGLES ±1° FINISH	PRODUCT SPEC 108-2426 APPLICATION SPEC 114-13283 WEIGHT -		
MATERIAL		Customer Drawing	RESTRICTED TO	
SCALE 1:1			SHEET 2 OF 4	REV A

THIS DRAWING IS UNPUBLISHED. RELEASED FOR PUBLICATION 20
 © COPYRIGHT 20 BY - ALL RIGHTS RESERVED.

REVISIONS				
P	LTR	DESCRIPTION	DATE	APVD
-		SEE SHEET 1	-	-



RECOMMENDED BRACKET LAYOUT
SCALE 2:1



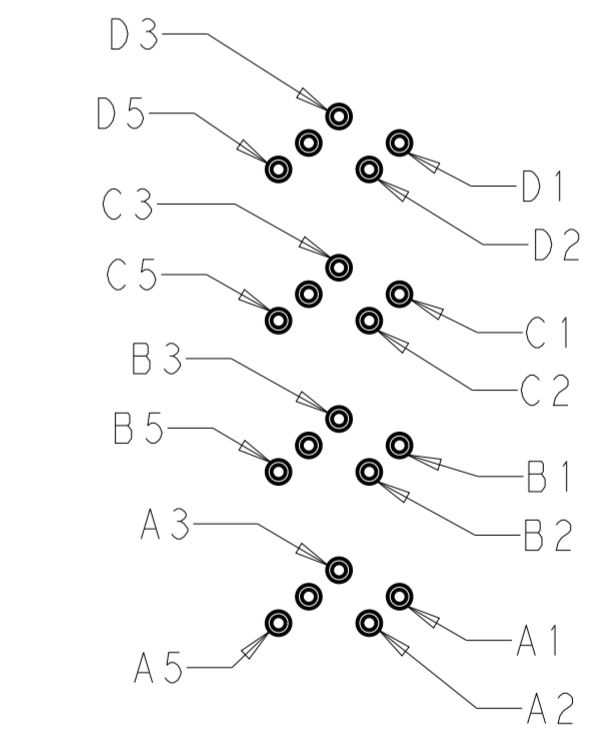
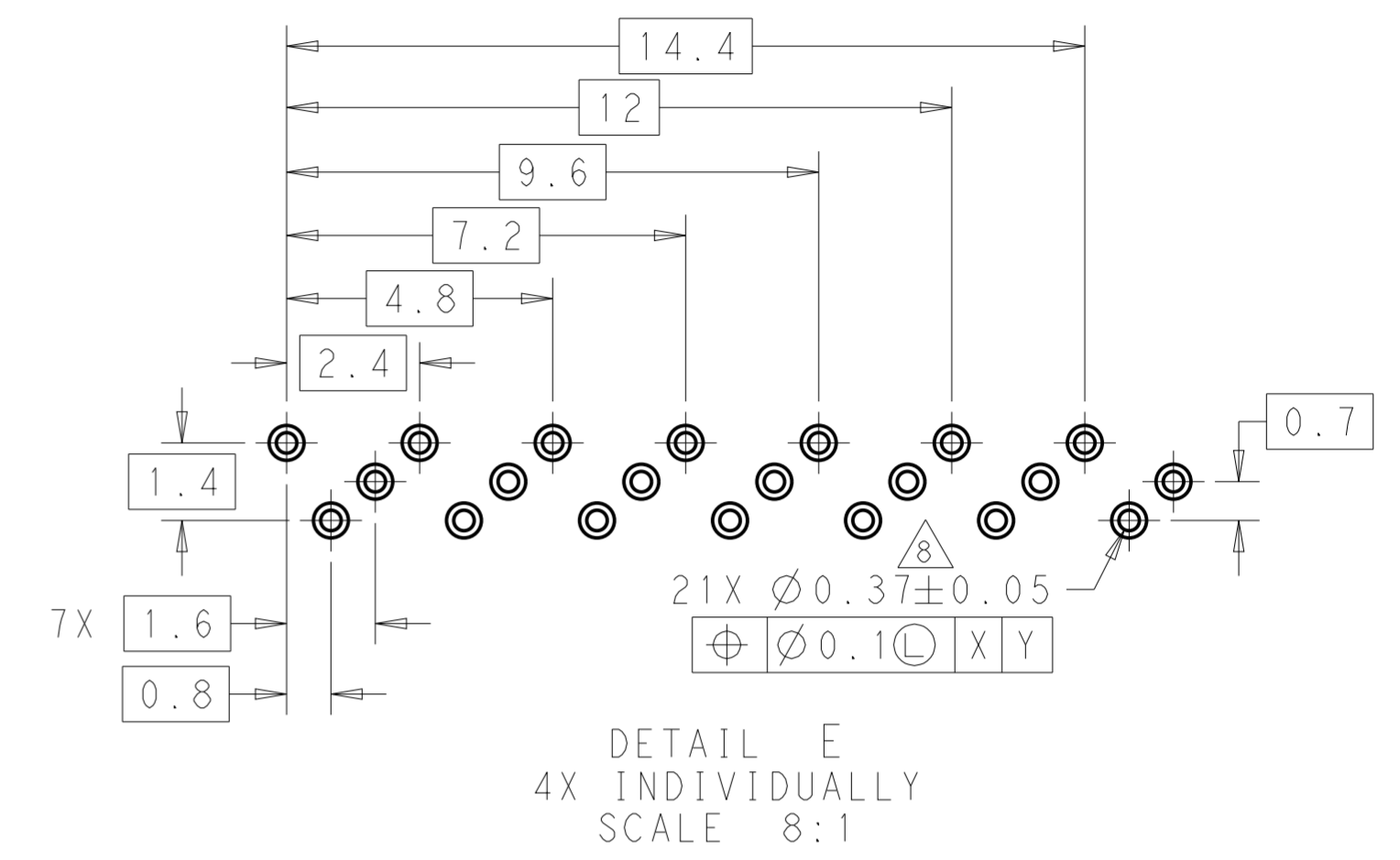
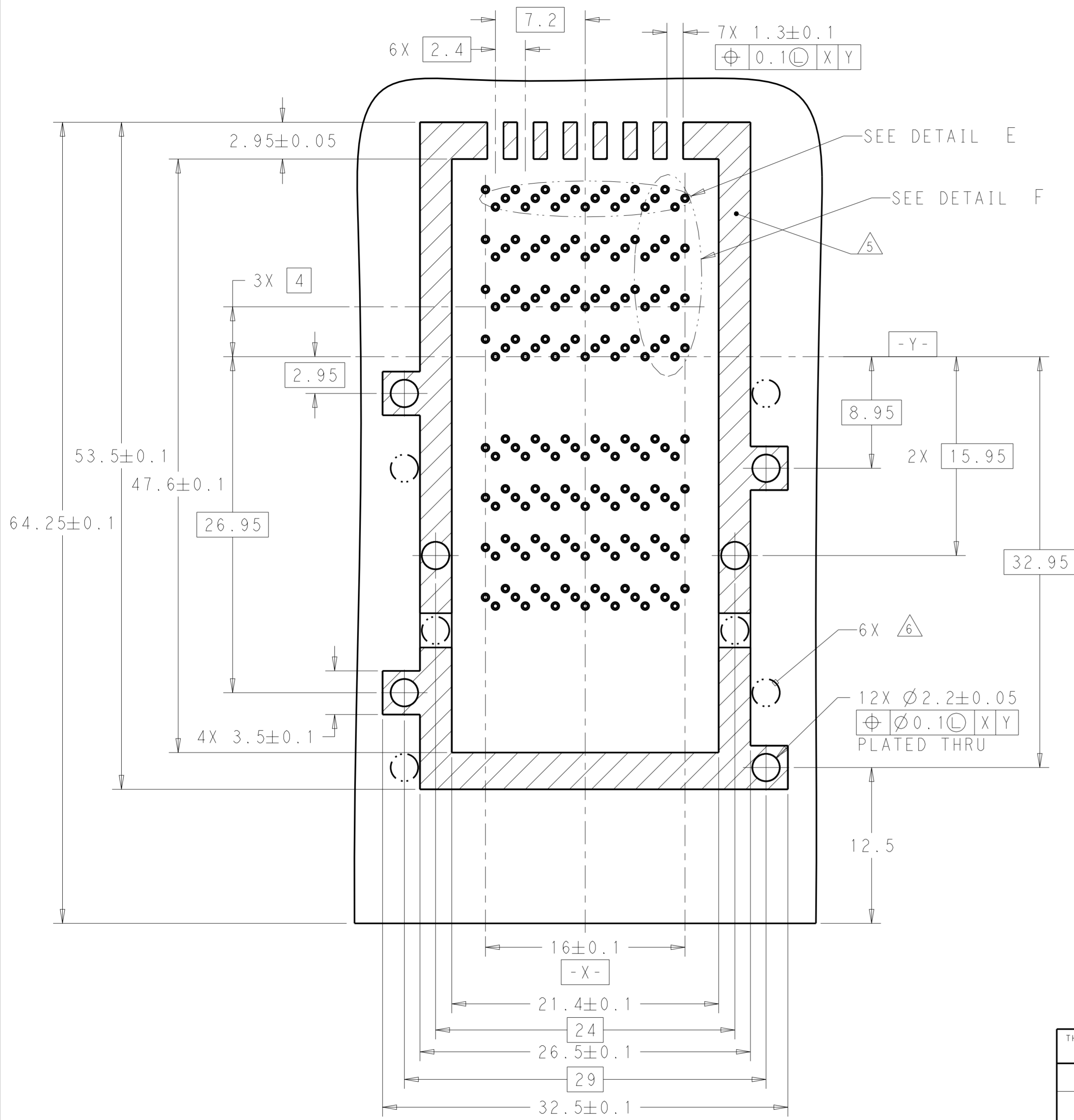
DETAIL D
SCALE 15:1

12.57+A	0.22+A	PCB THICKNESS
C	B	A

THIS DRAWING IS A CONTROLLED DOCUMENT. DIMENSIONING AND TOLERANCING PER ASME Y14.5M-2009		DWN M.E. COWHER 16SEP2010 CHK M.D. MORRISON 23SEP2010 APVD M.D. MORRISON 23SEP2010	STE TE Connectivity	
DIMENSIONS: mm	TOLERANCES UNLESS OTHERWISE SPECIFIED: 0 PLC ±0.15 1 PLC ±0.15 2 PLC ±0.15 3 PLC ± 4 PLC ± ANGLES ±1° FINISH	PRODUCT SPEC 108-2426 APPLICATION SPEC 114-13283 WEIGHT -	NAME RECEPTACLE ASSEMBLY, BELLY-BELLY, EXTENDED, 84 POSITION, CXP	
MATERIAL -	-	Customer Drawing	SIZE A200779	CAGE CODE C-2149733
SCALE 1:1			SHEET 3 OF 4	REV A

THIS DRAWING IS UNPUBLISHED. RELEASED FOR PUBLICATION 20
 © COPYRIGHT 20 BY - ALL RIGHTS RESERVED.

REVISIONS				
P	LTR	DESCRIPTION	DATE	APVD
-	-	SEE SHEET 1	-	-



THIS DRAWING IS A CONTROLLED DOCUMENT. DIMENSIONING AND TOLERANCING PER ASME Y14.5M-2009.		DWN M.E. COWHER 16SEP2010	TE Connectivity	
DIMENSIONS: mm		CHK M.D. MORRISON 23SEP2010		
TOLERANCES UNLESS OTHERWISE SPECIFIED:		APVD M.D. MORRISON 23SEP2010	NAME RECEPTACLE ASSEMBLY, BELLY-BELLY, EXTENDED, 84 POSITION, CXP	
0 PLC ±0.15	1 PLC ±0.15	PRODUCT SPEC 108-2426	SIZE CAGE CODE DRAWING NO RESTRICTED TO	
2 PLC ±0.15	3 PLC ±	APPLICATION SPEC 114-13283	A200779 C-2149733	
4 PLC ±	ANGLES ±1°	WEIGHT -	SCALE 1:1 SHEET 4 OF 4 REV A	
MATERIAL -	FINISH -	Customer Drawing		