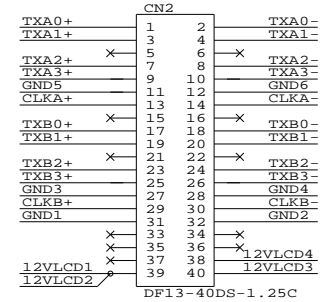
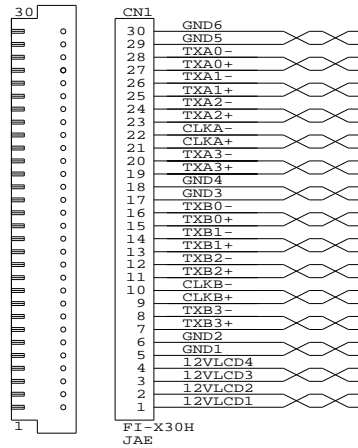
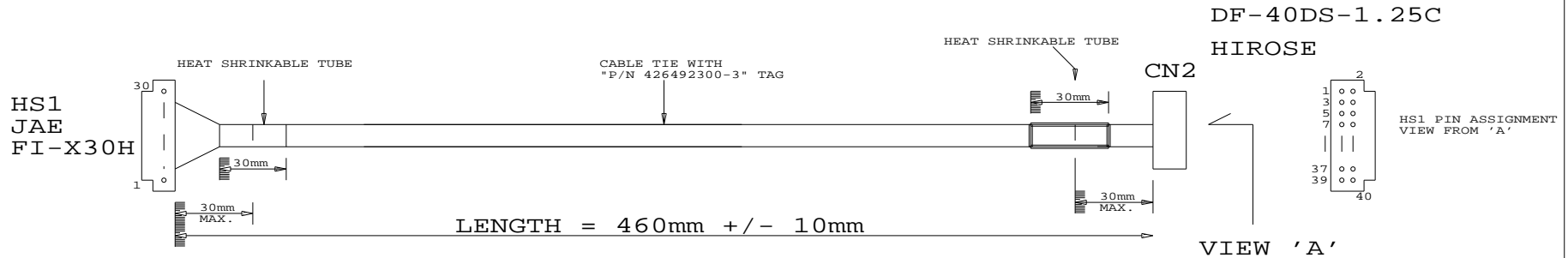


CONNECTION DIAGRAM:

TOLERANCE:  
+1.0mm  
-1.0mm



PANEL SIDE



CABLE: SHIELDED ROUND  
UL 20276, 15 PAIRS, 30AWG, L=460mm  
JACKET: PVC COLOR BLACK

USAGE:  
CABLE FOR SHARP LQ201U1LW21 PANEL  
(WITH SVH-1920)

P/N 426492300-3  
LVDS PANEL CABLE: SHARP LQ201U1LW21, 460mm

DIGITAL VIEW LTD. COPYRIGHT 2006, ALL RIGHTS RESERVED CONFIDENTIAL		
DRAWN BY: VICTOR NG		
Title LVDS CBL: FOR SHARP LQ201U1LW21, 460mm		
Size	Document Number	REV
B	(...\DV\DV_CABLE\C6492300.SCH)	00
Date:	March 31, 2006	Sheet 1 of 1