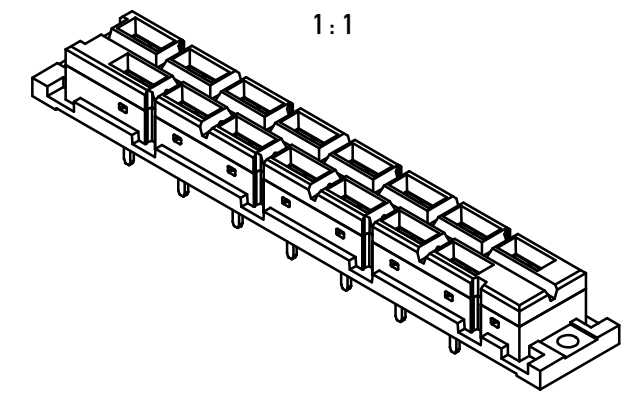
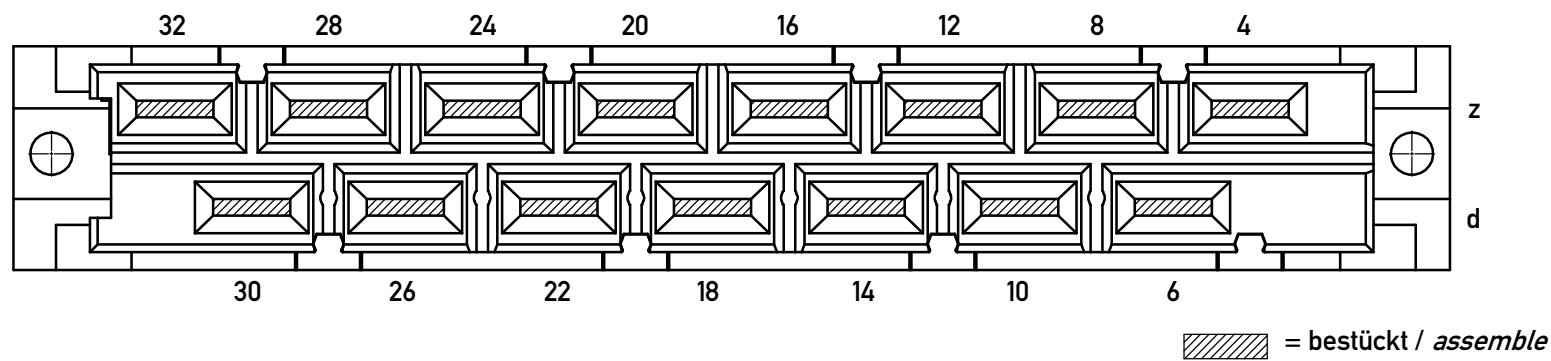
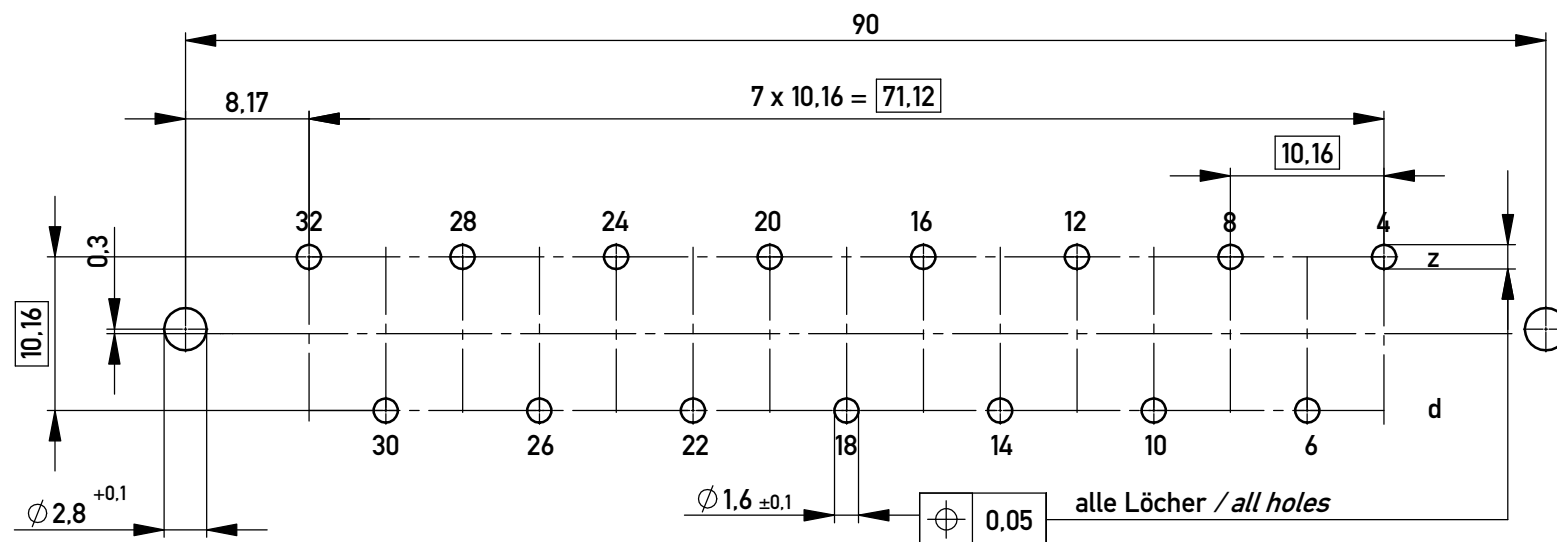


Lötanschluss 1,2 x 0,6 mm / solder terminal 1,2 x 0,6 mm
 Anforderungsstufe 1 = 500 Steckzyklen / performance class 1 = 500 mating cycles
 Bauart 2 / type 2
 Fehlende Masse und Angaben nach IEC 60 603-2 / DIN EN 60 603-2
 Missing information nad dimensions per IEC 60 603-2 / DIN EN 60 603-2

Bestückungsplan / contact layout



Leiterplatten-Layout / PCB drillhole pattern



Information:		Tolerances	Scale 2:1
All rights reserved. Only for Information. To ensure that this is the latest version of this drawing, please contact one of the ERNI companies before using.		All Dimensions in mm	Designation
Subject to modification without prior notice. Drawing will not be updated.		www.ERNI.com	Federleiste H15 Solder Fem. Connector H15 Löt
d	01.07.2016	ERNI	594750
Index	Date		1
Class		STVH15	A3