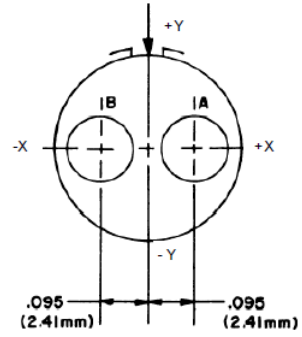


Contact Layout

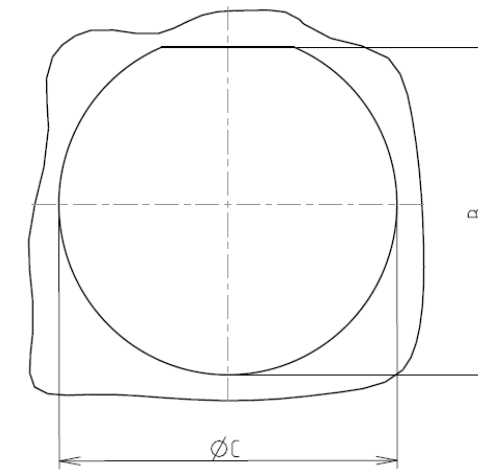


Contacts (Insert arrangement 11-2)		
Contact position ID	Contact location	
	X-axis (mm)	Y-axis (mm)
A	+0.095 (2.41)	+0.000 (.00)
B	-0.095 (2.41)	+0.000 (.00)

Shell size	Arrangement no.	Number of contacts	Size contacts	Service rating	Contact location
11	-2	2	16	I	All

Panel cutout

JAM NUT RECEPTACLE (TYPE 7)



Dim	Nominal
B	19.59+0/-0.25
∅C	20.96+0.25/-0

SOURIAU shall not be liable for any non-conformity or damage due to a use of the Products which does not comply with the Specifications issued by either of the Parties or by a third party (professional recommendation, technical notice.)

Country	Jurisdiction & Control List
FR	Not Listed

PN: 8D711F02AA

A	30-09-2016	First Release	
ISS	DATE	Latest modification - by	MOD N°
Designed By:		Date:	CUSTOMER DRAWING
TITLE	Aluminium Receptacle 8D series		
SCALE		General linear Tolerances:	NPRDS / PROJECT
NA		±--	859
SOURIAU	WWW.SOURIAU.COM		This document is the property of SOURIAU it must not be reproduced or communicated without permission
FORMAT	SOURIAU DRG N° 8D711F02AA-C		SHEET 2/2