

C-SFF8644-2X8088-3M

3.0m (9.8ft) SFF-8644 Male to 2x SFF-8088 Male Black Mini-SAS Cable

Features:

- SFF-8644 to 2x SFF-8088 Connectors
- Mini-SAS Family Type
- External Cable
- 3m length
- RoHS Compliant and lead-free

Product Description

This is a 3.0m (9.8ft) SFF-8644 external mini-SAS HD male to 2x SFF-8088 external mini-SAS male black storage cable that is used for high speed data transfer. This part is made to industry standard specifications and can be used in many different applications. This storage cable features SFF-8644 to SFF-8088 connectors for connectivity between network appliances. These cables are application tested and guaranteed to work 100% of the time.

Cable Specifications

Parameter	Specification
Conductor	28 AWG Silver Plated Copper.
Insulation	Skin-foam-skin
Pair	2 Wires, WH and YE Parallel
Core	4 Pairs
Pair Shield	Aluminum Foil Overlapped, ALU Inside
Pair Drain Wire	Ø25mm Tinned Copper
Inner Shield	Aluminum Foil Overlapped, Applied Longitudinally
Outer Shield	38 AWG Tinned Copper Braid, 85% Coverage
Diameter	5.6± D.2mm
Print Legend	LEONI High Speed Cables ParaLink-11 100Ω 4pairs 28AWG (Shielded) (UL) E116441 CL2 75°C
Differential Impedance	100±5 Ω

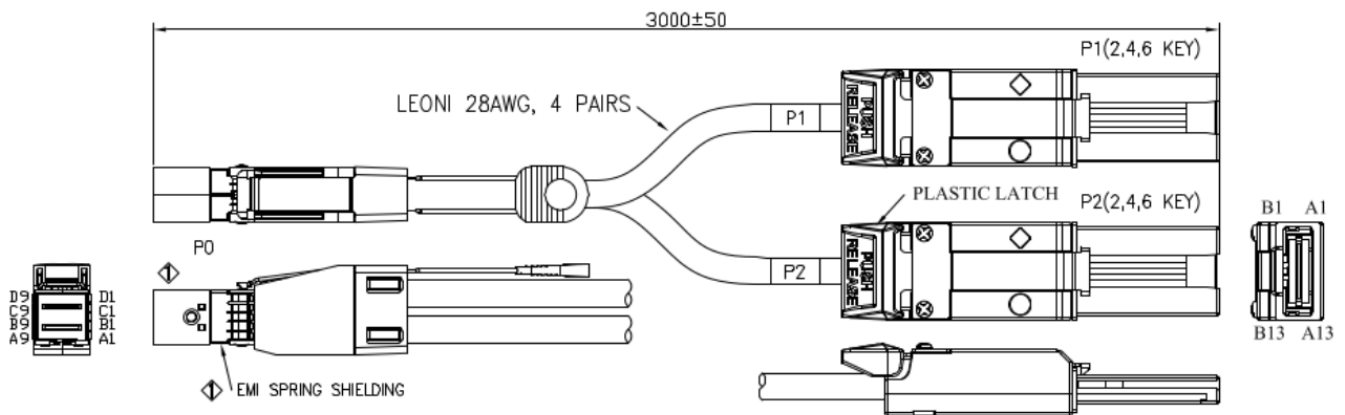
Connector Specifications

Parameter	Specification
P0: Mini SAS HD 4x Cable Plug (SFF-8644)	
P.C.B.	4 Layers, Gold Plating on Contact Pads, without Carbon
Latch	Stainless Steel
Backshell	Zinc Dye Casting Hood/ Nickel Plating
Pull Tab	Nylon UL94V-0 Color: Blue
EMI Spring Shielding	
P1, P2: Mini SAS 4x Cable Plug- 26 CKT Connector (SFF-8088)	
P.C.B.	4 Layers, Gold Plating on Contact Pads
Latch	Stainless Steel
Backshell	Zinc Dye Casting Hood/ Nickel Plating
With External Universal Key	

Notes:

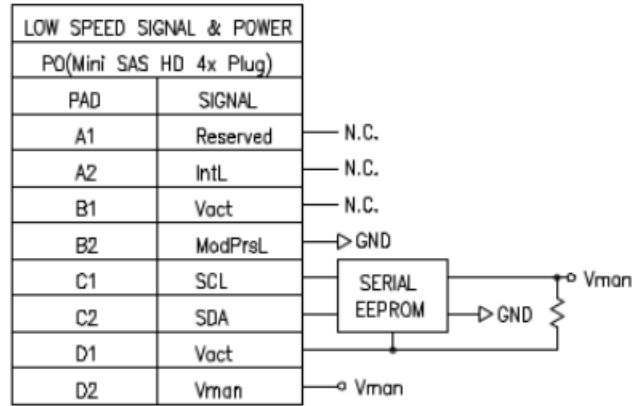
1. For SAS 6.0 Gbpa.
2. 2-Wires Serial Memory: Atmel AT24C02B EEPROM (256 Bytes).

Mechanical Specifications



Wiring Diagram

HIGH SPEED SIGNAL			
PO(Mini SAS HD 4x Plug)		Mini SAS 4x	
PIN	SIGNAL	PAD	SIGNAL
B4	RX0+	B2	TX0+
B5	RX0-	B3	TX0-
D4	TX0+	A2	RX0+
D5	TX0-	A3	RX0-
A4	RX1+	B5	TX1+
A5	RX1-	B6	TX1-
C4	TX1+	A5	RX1+
C5	TX1-	A6	RX1-
GND GROUP	GND	GND GROUP	GND
B7	RX2+	B2	TX0+
B8	RX2-	B3	TX0-
D7	TX2+	A2	RX0+
D8	TX2-	A3	RX0-
A7	RX3+	B5	TX1+
A8	RX3-	B6	TX1-
C7	TX3+	A5	RX1+
C8	TX3-	A6	RX1-
GND GROUP	GND	GND GROUP	GND
GND GROUP: A3,A6,A9,B3,B6,B9, C3,C6,C9,D3,D6,D9.		P1,P2 GND GROUP: A1,A4,A7,A10,A13, B1,B4,B7,B10,B13.	
PO Connector Shell		P1,P2 Connector Shell	



About ProLabs

Our experience comes as standard; for over 15 years ProLabs has delivered optical connectivity solutions that give our customers freedom and choice through our ability to provide seamless interoperability. At the heart of our company is the ability to provide state-of-the-art optical transport and connectivity solutions that are compatible with over 90 optical switching and transport platforms.

Complete Portfolio of Network Solutions

ProLabs is focused on innovations in optical transport and connectivity. The combination of our knowledge of optics and networking equipment enables ProLabs to be your single source for optical transport and connectivity solutions from 100Mb to 400G while providing innovative solutions that increase network efficiency. We provide the optical connectivity expertise that is compatible with and enhances your switching and transport equipment.

Trusted Partner

Customer service is our number one value. ProLabs has invested in people, labs and manufacturing capacity to ensure that you get immediate answers to your questions and compatible product when needed. With Engineering and Manufacturing offices in the U.K. and U.S. augmented by field offices throughout the U.S., U.K. and Asia, ProLabs is able to be our customers best advocate 24 hours a day.

Contact Information

ProLabs US

Email: sales@prolabs.com

Telephone: 952-852-0252

ProLabs UK

Email: salessupport@prolabs.com

Telephone: +44 1285 719 600