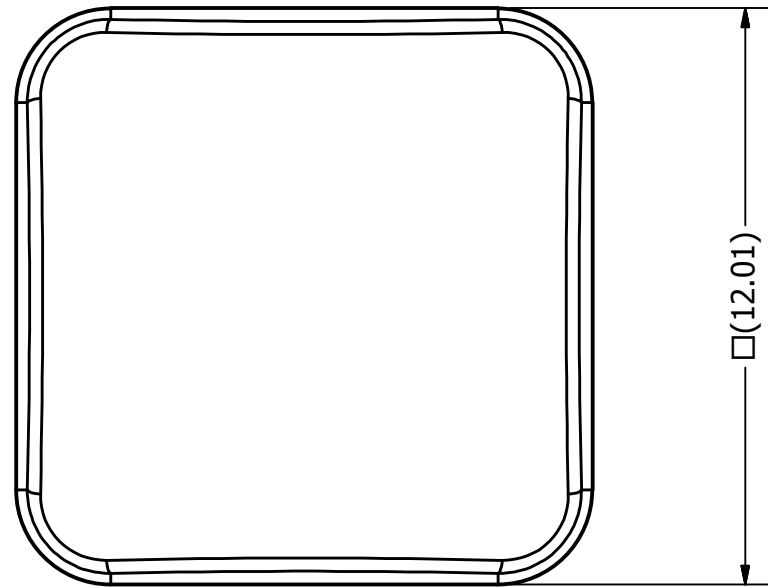
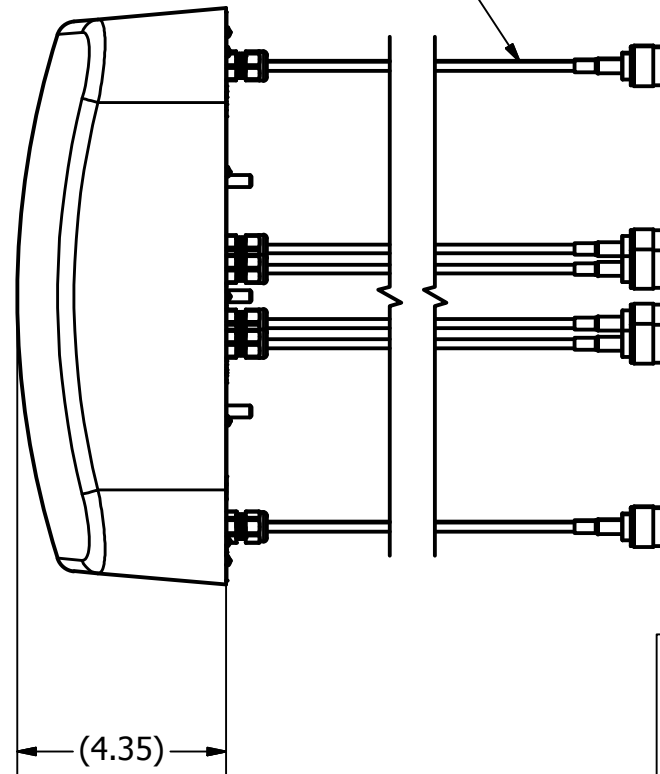


- NOTES: UNLESS OTHERWISE SPECIFIED
1. ALL MATERIALS SHALL BE ROHS COMPLIANT.
 2. PARTS SHALL BE PACKAGED TO PREVENT DAMAGE IN SHIPMENT AND HANDLING.
 3. A (REF) DIMENSION IS FOR INFORMATION PURPOSES ONLY AND NO TOLERANCE IS IMPLIED.
 4. ELECTRICAL SPECS:
 VSWR@ 2.4-2.5 GHz < 2.0:1
 VSWR@ 5.1-5.9 GHz < 2.0:1

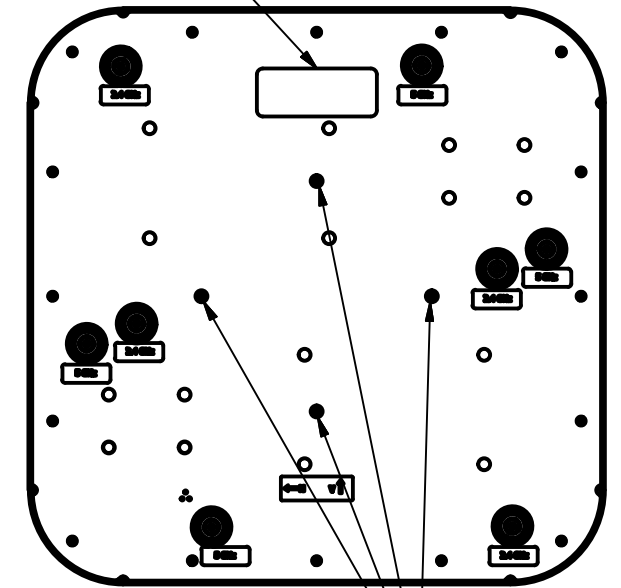
REVISION HISTORY			
REV	DESCRIPTION	DATE	APPROVED
1	OUTLINE DIMENSIONAL DRAWING	08JUL16	IP



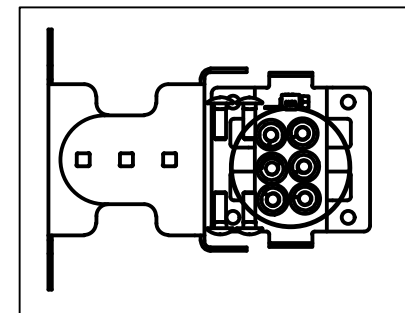
58" RG-58 PLENUM RATED CABLE WITH N CONNECTOR




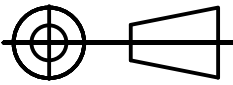
PRODUCT LABEL



1/4-20 PEM STUD TO FASTEN MOUNT



MOUNT KIT

SUPPLIER PRINT ACCEPTANCE: <input type="checkbox"/> Accept drawing/specification: No changes needed: <input type="checkbox"/> This part is RoHS compliant <input type="checkbox"/> This part is REACH compliant <input type="checkbox"/> Accept drawing/specification. Notes/Mark-ups added <input type="checkbox"/> Cannot accept drawing/spec. Notes/Mark-ups added Supplier Projected Outgoing Quality: SIGMA LEVEL : _____ or PPM: _____ Signature _____ Date: _____	UNLESS OTHERWISE SPECIFIED DIMENSIONS ARE IN INCHES FOR TOLERANCES NOT SPECIFIED USE: X.X in ± .1 in, X.XX in ± .01 in, X.XXX in ± .005 in ANGULAR ± 1°, FRACTIONAL ± 1/64	DRAWN: ZV DATE: 5/20/2015 CHECKED: _____ DATE: _____	 PCTEL, INC. 471 BRIGHTON DRIVE BLOOMINGDALE, IL 60108 PH. 630-372-6800 FAX. 630-372-8077
	THIRD ANGLE PROJECTION 	MATERIAL: SEE COMP. PRINTS FINISH: SEE COMP. PRINTS	
PCTEL PROPRIETARY DATA THE INFORMATION AND/OR DRAWINGS CONTAINED IN THIS DOCUMENT IS CONFIDENTIAL AND PROPRIETARY TO PCTEL, INC. AND MAY NOT BE USED, REPRODUCED, IN WHOLE OR IN PART, OR MODIFIED IN ANY WAY WITHOUT THE EXPRESS WRITTEN PERMISSION OF AN AUTHORIZED REPRESENTATIVE OF PCTEL, INC.			DRAWING NO.: ODD_FPMI2458-DP806NM
SIZE: B SCALE: 1/4 SHEET: 1 OF 1			

4

3

2

1

NOTES: UNLESS OTHERWISE SPECIFIED

1. ALL MATERIALS SHALL BE ROHS COMPLIANT.
2. PARTS SHALL BE PACKAGED TO PREVENT DAMAGE IN SHIPMENT AND HANDLING.
3. A (REF) DIMENSION IS FOR INFORMATION PURPOSES ONLY AND NO TOLERANCE IS IMPLIED.
4. ELECTRICAL SPECS:
VSWR@ 2.4-2.5 GHz < 2.0:1
VSWR@ 5.1-5.9 GHz < 2.0:1

REVISION HISTORY

REV	DESCRIPTION	DATE	APPROVED
1	OUTLINE DIMENSIONAL DRAWING	08JUL16	IP

□(12.01)

58" RG-58 PLENUM RATED CABLE WITH N CONNECTOR

(4.35)

PRODUCT LABEL

1/4-20 PEM STUD TO FASTEN MOUNT

MOUNT KIT

SUPPLIER PRINT ACCEPTANCE: <input type="checkbox"/> Accept drawing/specification: No changes needed: <input type="checkbox"/> This part is RoHS compliant <input type="checkbox"/> This part is REACH compliant <input type="checkbox"/> Accept drawing/specification. Notes/Mark-ups added <input type="checkbox"/> Cannot accept drawing/spec. Notes/Mark-ups added Supplier Projected Outgoing Quality: SIGMA LEVEL : _____ or PPM: _____ Signature _____ Date: _____	UNLESS OTHERWISE SPECIFIED DIMENSIONS ARE IN INCHES FOR TOLERANCES NOT SPECIFIED USE: X.X in ± .1 in, X.XX in ± .01 in, X.XXX in ± .005 in ANGULAR ± 1°, FRACTIONAL ± 1/64	DRAWN: ZV DATE: 5/20/2015 CHECKED: _____ DATE: _____	<div style="display: flex; align-items: center;"> <div> <p>PCTEL, INC. 471 BRIGHTON DRIVE BLOOMINGDALE, IL 60108 PH. 630-372-6800 FAX. 630-372-8077</p> </div> </div>
	THIRD ANGLE PROJECTION PCTEL PROPRIETARY DATA THE INFORMATION AND/OR DRAWINGS CONTAINED IN THIS DOCUMENT IS CONFIDENTIAL AND PROPRIETARY TO PCTEL, INC. AND MAY NOT BE USED, REPRODUCED, IN WHOLE OR IN PART, OR MODIFIED IN ANY WAY WITHOUT THE EXPRESS WRITTEN PERMISSION OF AN AUTHORIZED REPRESENTATIVE OF PCTEL, INC.	MATERIAL: SEE COMP. PRINTS FINISH: SEE COMP. PRINTS	DESCRIPTION: ANTENNA, PANEL, DUAL BAND, DUAL POLARIZATION, 802.11AC MIMO, 8X NM CABLES DRAWING NO.: ODD_FPMI2458-DP810NM SIZE: B SCALE: 1/4 SHEET: 1 OF 1

4

3

2

1

4

3

2

1

NOTES: UNLESS OTHERWISE SPECIFIED

1. ALL MATERIALS SHALL BE ROHS COMPLIANT.
2. PARTS SHALL BE PACKAGED TO PREVENT DAMAGE IN SHIPMENT AND HANDLING.
3. A (REF) DIMENSION IS FOR INFORMATION PURPOSES ONLY AND NO TOLERANCE IS IMPLIED.
4. ELECTRICAL SPECS:
VSWR@ 2.4-2.5 GHz < 2.0:1
VSWR@ 5.1-5.9 GHz < 2.0:1

REVISION HISTORY

REV	DESCRIPTION	DATE	APPROVED
A	OUTLINE DIMENSIONAL DRAWING	08JUL16	IP

□(12.01)


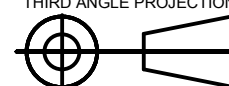
58" RG-58 PLENUM RATED CABLE WITH N CONNECTOR

(4.35)

PRODUCT LABEL

1/4-20 PEM STUD TO FASTEN MOUNT

MOUNT KIT

SUPPLIER PRINT ACCEPTANCE: <input type="checkbox"/> Accept drawing/specification: No changes needed: <input type="checkbox"/> This part is RoHS compliant <input type="checkbox"/> This part is REACH compliant <input type="checkbox"/> Accept drawing/specification. Notes/Mark-ups added <input type="checkbox"/> Cannot accept drawing/spec. Notes/Mark-ups added Supplier Projected Outgoing Quality: SIGMA LEVEL : _____ or PPM: _____ Signature _____ Date: _____	UNLESS OTHERWISE SPECIFIED DIMENSIONS ARE IN INCHES FOR TOLERANCES NOT SPECIFIED USE: X.X in ± .1 in, X.XX in ± .01 in, X.XXX in ± .005 in ANGULAR ± 1°, FRACTIONAL ± 1/64	DRAWN: ZV DATE: 5/20/2015 CHECKED: _____ DATE: _____	<div style="text-align: center;">  </div> <p>PCTEL, INC. 471 BRIGHTON DRIVE BLOOMINGDALE, IL 60108 PH. 630-372-6800 FAX. 630-372-8077</p>
	<div style="text-align: center;">  </div> <p style="text-align: center;">THIRD ANGLE PROJECTION</p> <p style="text-align: center;">PCTEL PROPRIETARY DATA</p> <p>THE INFORMATION AND/OR DRAWINGS CONTAINED IN THIS DOCUMENT IS CONFIDENTIAL AND PROPRIETARY TO PCTEL, INC. AND MAY NOT BE USED, REPRODUCED, IN WHOLE OR IN PART, OR MODIFIED IN ANY WAY WITHOUT THE EXPRESS WRITTEN PERMISSION OF AN AUTHORIZED REPRESENTATIVE OF PCTEL, INC.</p>	MATERIAL: SEE COMP. PRINTS FINISH: SEE COMP. PRINTS	DESCRIPTION: ANTENNA, PANEL, DUAL BAND, DUAL POLARIZATION, 802.11AC MIMO, 8X NM CABLES DRAWING NO.: ODD_FPMI2458-DP812NM SIZE: B SCALE: 1/4 SHEET: 1 OF 1

4

3

2

1