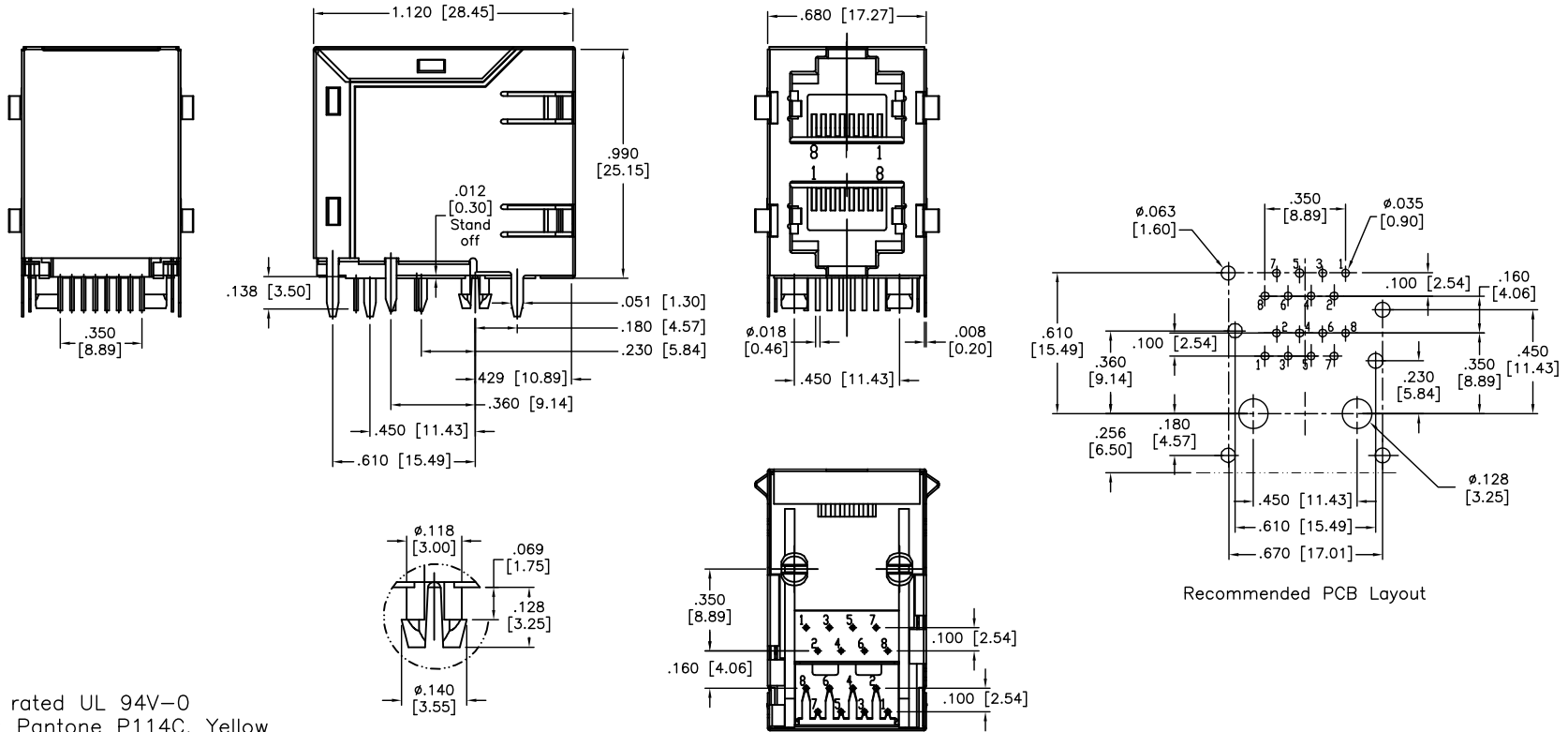


APPROVED: \_\_\_\_\_  
 DATE: \_\_\_\_\_ TITLE: \_\_\_\_\_

Rev	AWO #	Description	Date	Appr
-		RELEASED	4/24/14	
A		UPDATED DRAWING	3/20/15	HR/CH
B		UPDATED DRAWING	9/10/18	HR/MY



**SPECIFICATIONS:**

Material:  
 Insulator: PBT, rated UL 94V-0  
 Insulator color: Pantone P114C, Yellow  
 Contacts: Phosphor Bronze  
 Shield: Brass, Nickel plated  
 Contact Plating:  
 Gold over Nickel underplate on contact area  
 Gold flash over Nickel underplate on solder tails  
 Electrical:  
 Voltage rating: 150 VAC RMS  
 Current rating: 1.5 Amp  
 Contact Resistance: 20 mohms max.  
 Insulation resistance: 1,000 Mohms min @ 500 VDC  
 Dielectric withstanding voltage:  
 Contact to Contact: 1,000 VDC/AC Peak for 1 minute  
 Contact to Screen and Test panel: 1,500 VDC/AC Peak for 1 minute  
 Temperature Rating:  
 Operating temperature: -40°C to +85°C  
 Environmental:  
 Lead free, RoHS compliant.



UNLESS OTHERWISE SPECIFIED ALL DIMENSIONS ARE MM [INCHES] TOLERANCES: EXCEPT AS NOTED			
INCHES		HOLES	
.X	± .10	Ø.X	± .10
.XX	± .020	Ø.XX	± .015
.XXX	± .015	Ø.XXX	± .010
APPROVALS		DATE	
DRAWN	AY	4/24/14	
CHECKED	LW	4/24/14	
APPROVED			

**ADAM TECH** INTERCONNECTS  
 909 Rahway Avenue,  
 Union, NJ 07083  
 Phone: 908-687-5000  
 Fax: 908-687-5710

TITLE MODULAR GANGED JACK, 2 PORT, 8P8C, RIGHT ANGLE SHIELDED, YELLOW P114C		
SIZE X	PART NO. MTJG-2-88JX1-FSG-PG-P114C	REV. B
REF: S00005C	SCALE: NTS	SHEET 1 OF 1