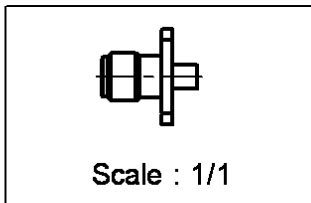
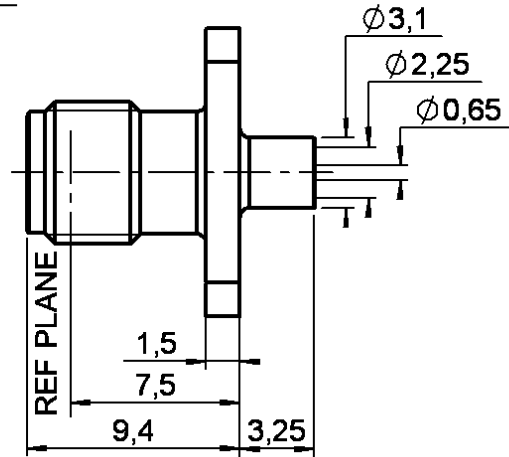
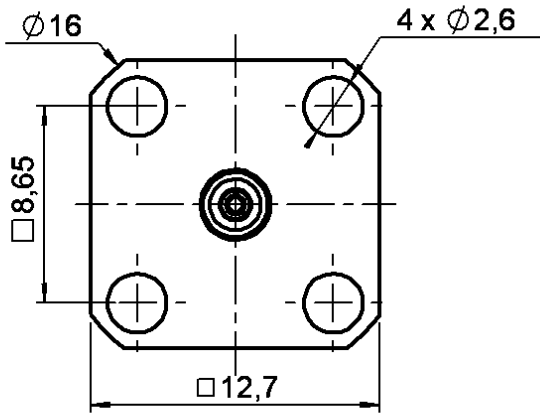


**STRAIGHT SQUARE FLANGE JACK SOLDER TYPE**

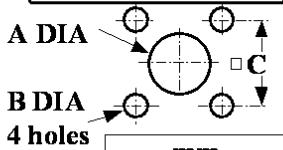
**R125.256.000**

**CABLE .085**

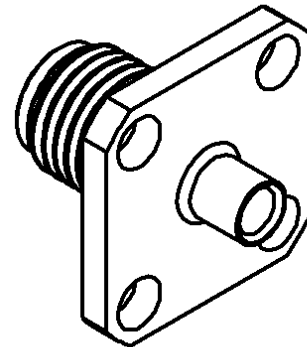
Series : SMA



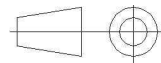
**PANEL CUT OUT**



	mm	
	Maxi	mini
A	6.6	6.5
B	2.7	2.6
C	8.69	8.59



All dimensions are in mm.



COMPONENTS	MATERIALS	PLATINGS (µm)
BODY	STAINLESS STEEL	GOLD 0.5 OVER NICKEL 2
CENTER CONTACT	BERYLLIUM COPPER	GOLD 1.3 OVER NICKEL 2
OUTER CONTACT	-	-
INSULATOR	PTFE	-
GASKET	-	-
OTHERS PARTS	-	-
-	-	-
-	-	-

Issue : 0829 H

In the effort to improve our products, we reserve the right to make changes judged to be necessary.



**STRAIGHT SQUARE FLANGE JACK SOLDER TYPE**

**R125.256.000**

**CABLE .085**

Series : SMA

**PACKAGING**

Standard	Unit	Other
<b>100</b>	<b>'W' option</b>	<b>Contact us</b>

**SPECIFICATION**

**CABLE ASSEMBLY**

**ELECTRICAL CHARACTERISTICS**

Stripping	a	b	c	d	e	f
mm	3,17	0,00	0,00	0,00	0,00	0,00

Impedance		<b>50</b>	$\Omega$
Frequency		<b>0-18</b>	GHz
VSWR	<b>1.07</b> +	<b>0,0080</b>	x F(GHz) Maxi
Insertion loss		<b>0.03</b>	$\sqrt{F}$ (GHz) dB Maxi
RF leakage	- (	<b>90</b>	- F(GHz)) dB Maxi
Voltage rating		<b>335</b>	Veff Maxi
Dielectric withstanding voltage		<b>750</b>	Veff mini
Insulation resistance		<b>5000</b>	M $\Omega$ mini

Assembly instruction : **Solder 01**

Recommended cable(s)  
RG 405  
KS 1

Characteristics indicated on this data sheet are those that can be achieved with the highest performance cable. Intrinsic limitations of the cable may diminish the performance of the assembly

Cable retention

- pull off **130** N mini  
- torque **NA** N.cm

**MECHANICAL CHARACTERISTICS**

**TOOLING**

Center contact retention			
Axial force – Mating end	<b>NA</b>	<b>N mini</b>	
Axial force – Opposite end	<b>NA</b>	<b>N mini</b>	
Torque	<b>NA</b>	<b>N.cm mini</b>	

Part Number	Description	Hexagon
.	.	.
R282.120.010	SMA TOOLBOX	
R282.744.010	SOLDERING POSITIONER (BODY)	
R282.914.010	DIELETRIC RECESS GAUGE	
R282.915.010	DIELECTRIC RECESS TOOL	
R282.730.043	INSULATOR MOUNTING TOOL	
R282.740.000	SOLDERING MOUNTING	
R282.744.220	SOLDERING POSITIONER (CENTER CONTACT)	
R282.862.060	CONTROL GAUGE	
R282.063.000	POINTER GAUGE	
R282.051.000	STRIPPING TOOL	

Recommended torque			
Mating	<b>NA</b>	<b>N.cm</b>	
Panel nut	<b>NA</b>	<b>N.cm</b>	
Clamp nut	<b>NA</b>	<b>N.cm</b>	
A/F clamp nut	<b>0,0000</b>	<b>mm</b>	

Mating life	<b>500</b>	<b>Cycles mini</b>
Weight	<b>2,5850</b>	<b>g</b>

**ENVIRONMENTAL**

Operating temperature	<b>-65/+105</b>	<b>° C</b>
Hermetic seal	<b>NA</b>	<b>Atm.cm3/s</b>
Panel leakage	<b>NA</b>	

**OTHERS CHARACTERISTICS**

Issue : 0829 H

In the effort to improve our products, we reserve the right to make changes judged to be necessary.

