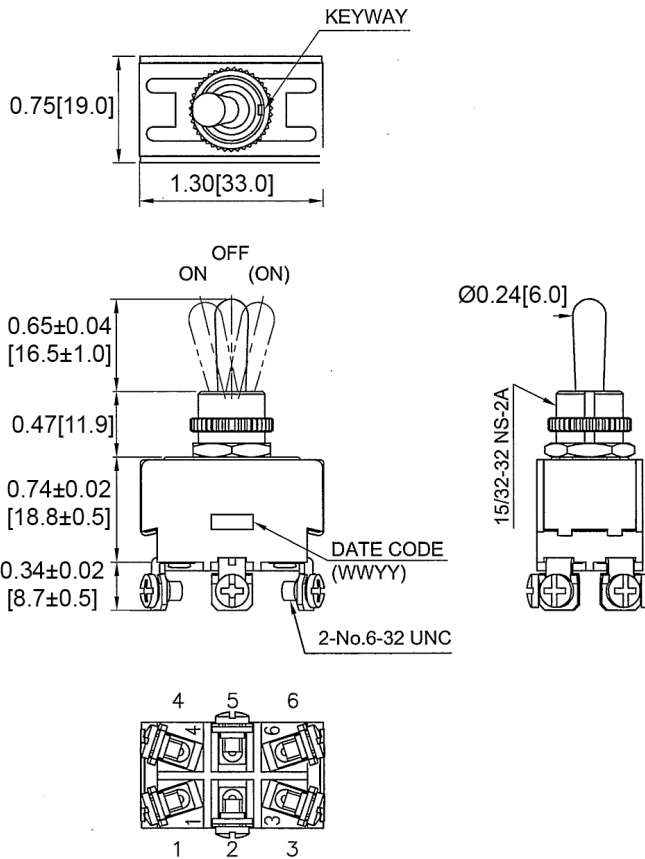
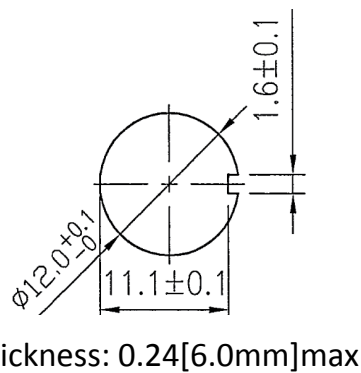


## Mechanical Dimensions: Inches [mm]

Tolerances  $\pm 0.012$  [0.3] Unless Otherwise Specified

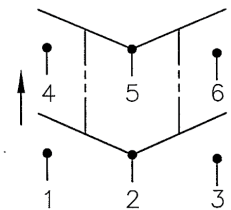


## Mounting Hole



## Circuit Diagram

6P DPDT ON-OFF-(ON)



## Electrical Specifications

Rating	21A 14V DC
Contact Resistance	50m ohm Max
Insulation Resistance	DC 500V 100M ohm Min
Dielectric Strength	AC 1500V 1 minute
Operation Temperature	800gf±300gf

## Material Specifications

- 1 Hex Nut Assy
- 1 Knurl Nut Assy

Rev	Date of issue	Revision Notes	Designed	Approved
B	06-07-2021	Initial Drawing	RC	OF