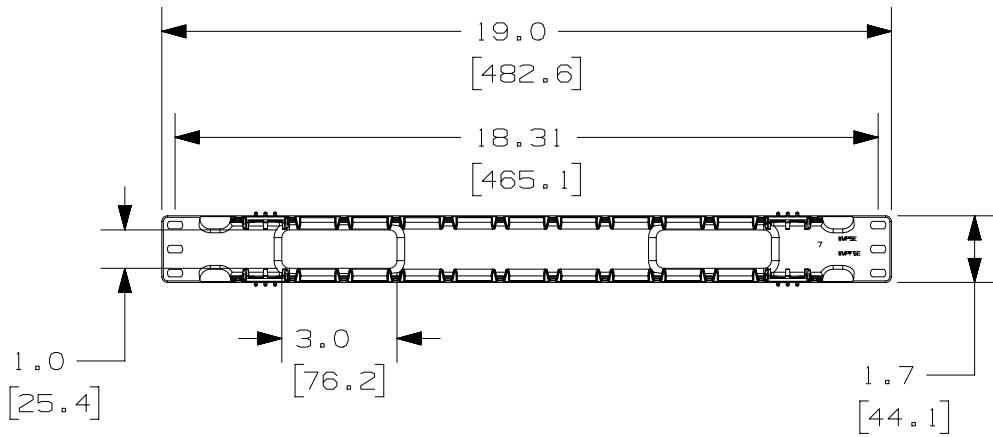


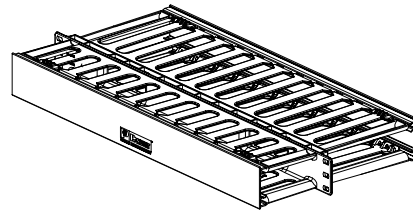
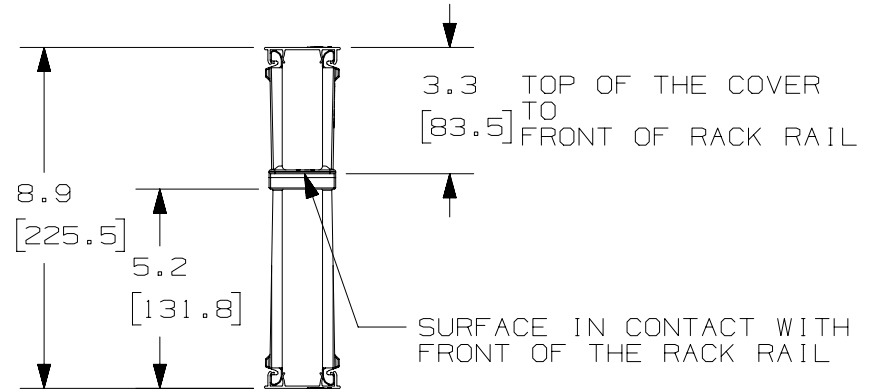
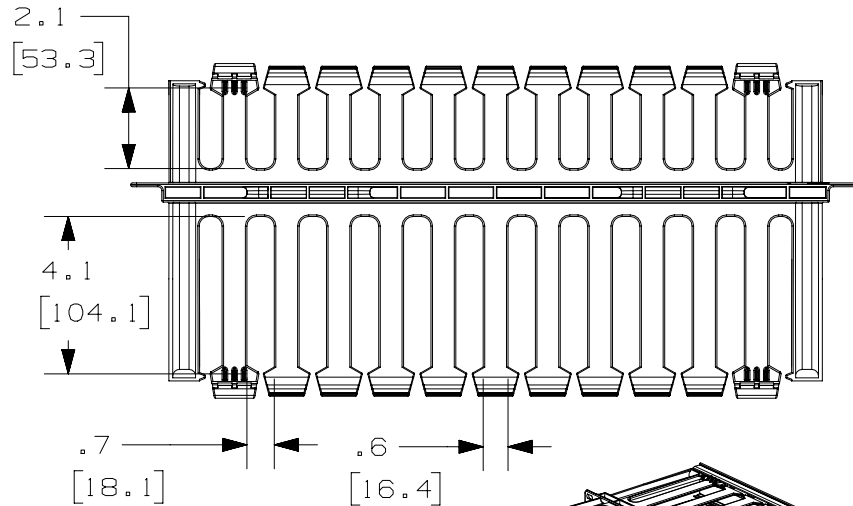
THIS COPY IS PROVIDED ON A RESTRICTED BASIS AND IS NOT TO BE USED IN ANY WAY DETRIMENTAL TO THE INTERESTS OF PANDUIT CORP.



PANDUIT P/N	WEIGHT
WMPSE	1.2 LBS/EACH 544 g/EACH

NOTES:

- DESIGNED FOR MOUNTING ON 19" EIA RACKS.
- COMPONENTS:
1- MANAGER
2- 17" X 2.0" DUAL HINGED COVERS
4- #12-24 X 1/2" SCREWS
2- STRAIN RELIEF CLIPS
- DIMENSIONS IN PARENTHESES ARE METRIC.



TITLE		WMPSE HORIZONTAL MANAGER		
CUSTOMER DRAWING				
ITEM REVISION NAME	V10101WS/09	PANDUIT		
DATASET FILE NAME	V10101WS_DC/09A			
UNLESS OTHERWISE SPECIFIED, DIMENSIONAL TOLERANCES ARE: IN (mm)		MATERIAL: ABS		
THIRD ANGLE PROJECTION		DRAWING NUMBER: V10101WS-DC		
DRAWN BY	DATE	CHK	SCALE	SIZE
JDWE	12-17-02	MECA	NONE	A
SHT 1 OF 1				

REV	DATE	BY	CHK	APR	DESCRIPTION	ECN
09A	11-29-17	TWV	JEFK	JEFK	REMOVED PART NUMBER WMPSE-X	V10101WS-DC
08A	3-26-15	TWV	MACA	KRKE	BOM ADJUSTMENT; REVISED NOTES.	V10101WS-DC
07D	4-8-13	BAME	FGR	CMK	REVISED AND REDRAWN; ALL PREVIOUS REVS OMITTED REVISED TITLE BLOCK	V10101WS-DC

D101000DA/15