

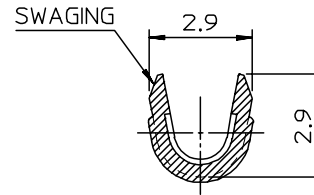
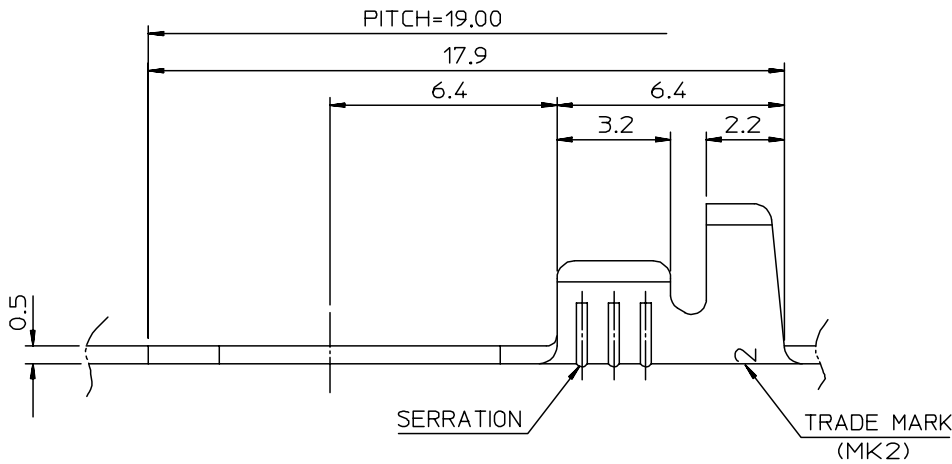
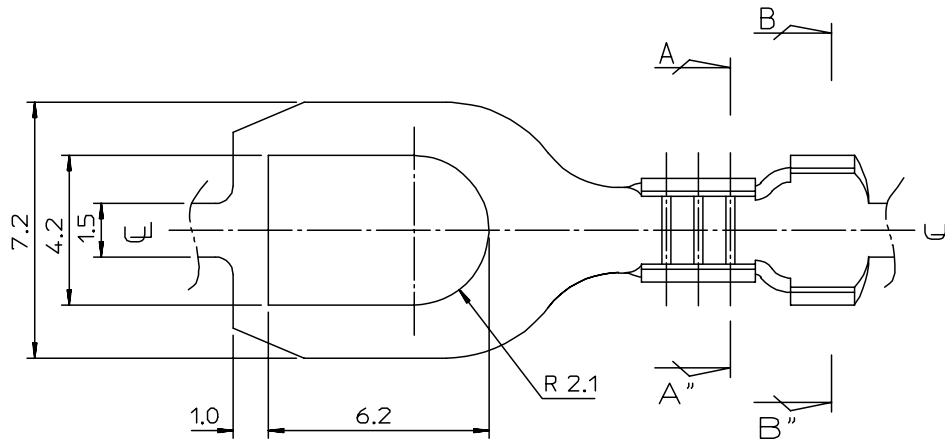
DWG. NO.
SD-35749-090

SIMILAR ITEM

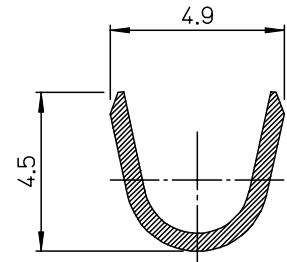
PROJECT NO.

B

DO NOT SCALE DRAWING
DIMENSION IN METRIC



SEC' : A-A"



SEC' : B-B"

NOTES

1. MATERIAL : BRASS , 0.5 mm THICKNESS
2. FINISH : 35749-0900(UNPLATED)
35749-0910(POST PLATED TIN)
35749-0940(POST PLATED TIN-LEAD)
3. RECOMMENDED LENGTH OF WIRE STRIP IS 4.2-4.8 mm.
4. APPLICABLE WIRE RANGE : AWG #20-#16

REVISED ECN NO. KR2005-0011 DRWN: C.B.CHIN 04/08/16 CHK: W.Y.YANG APPR: C.W.LEE	QUALITY SYMBOLS MAJOR $\blacktriangledown = 0$ CRITICAL $\nabla = 0$	GENERAL TOLERANCES: (UNLESS SPECIFIED)		SCALE 7:1	DESIGN UNITS <input checked="" type="checkbox"/> mm <input type="checkbox"/> INCH	THIRD ANGLE <input checked="" type="checkbox"/> THIRD ANGLE PROJECTION	DIMENSIONS: <input type="checkbox"/> mm <input type="checkbox"/> INCH <input checked="" type="checkbox"/> mm ONLY	SHT REV
		4 PLACES $\pm 0.$ $\pm -$	DRAWN BY & DATE J.SKANG 93/08/25	TITLE: SPADE TERMINAL			SHEET NO. 1 OF 1	
		3 PLACES $\pm 0.$ $\pm -$	CHECKED BY & DATE B.K.CHOI 93/08/25	MOLEX INCORPORATED				
		2 PLACES ± 0.3 $\pm -$	APPROVED BY & DATE C.W.LEE 93/08/25	CAD FILENAME S7490910AA.MI	MATERIAL NO. SEE NOTES	DRAWING NO. SD-35749-090	SIZE B	
1 PLACE ± 0.3 $\pm -$	ANGULAR: \pm $^{\circ}$	DRAFT WHERE APPLICABLE MUST REMAIN WITHIN DIMENSIONS			THIS DRAWING CONTAINS INFORMATION THAT IS PROPRIETARY TO MOLEX INCORPORATED AND SHOULD NOT BE USED WITHOUT WRITTEN PERMISSION.		KOREA	

F

E

D

C

B

A