

6

5

4

3

2

1

D

C

B

A

D

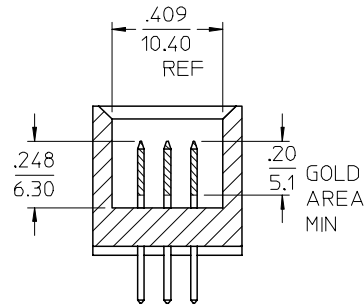
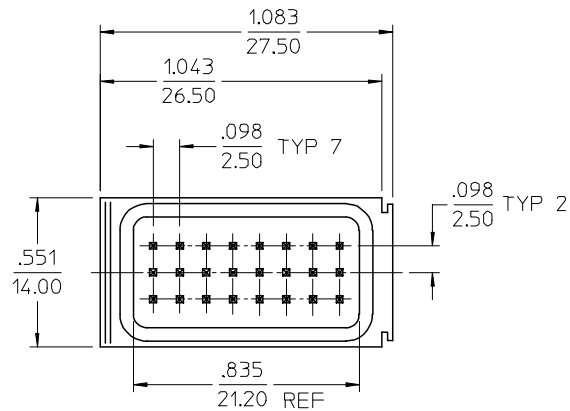
C

B

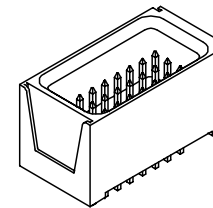
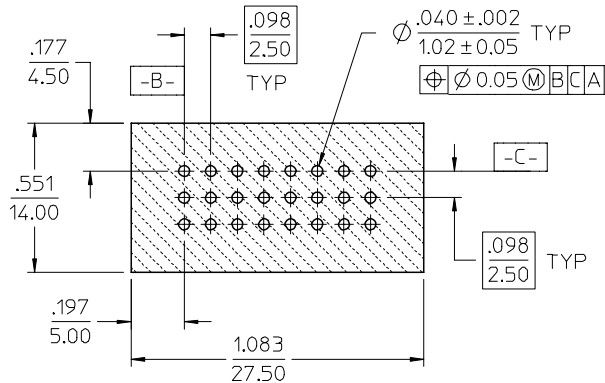
A

NOTES:

- HOUSING MAT'L: LCP, GLASS FILLED, UL 94V-0, COLOR: BLACK  
CONTACT MAT'L: COPPER ALLOY
- FINISH: SELECT GOLD - 30 MI MIN  
SELECT TIN - 150 MI MIN  
BOTH OVER NICKEL - 50 MI MIN  
GOLD TO BE SPECIFIED THK IN THIS AREA
- PRODUCT SPECIFICATION: PS-45424-001
- PACKAGING SPECIFICATION: PK-45481-001
- THIS MODULE INTERLOCKS WITH ALL STANDARD MOLEX POWER DOCK MODULES.
- DATUM -A- IS THE CONNECTOR MOUNTING SURFACE.
- THE PRIMARY SHIPPING CARTON WILL BE LABELED "COMPLIANT TO RoHS DIRECTIVE 2000/95/EC AND ELV ANNEX II OF DIRECTIVE 2000/53/EC". CARTONS WITHOUT THIS LABEL MAY CONTAIN PRODUCT WITH TIN/LEAD PLATING.
- PC TAILS MAY BE BLUNT CUT.



SECTION Z-Z



MATERIAL No	P	PCB THK
45514-0001	.177 4.50	.125 3.18
45514-0002	.143 3.60	.093 2.36
45514-0003	.115 2.92	.062 1.57

PCB LAYOUT: COMPONENT SIDE  
PCB THICKNESS: SEE CHART

EC NO: UCP2006-0797	DESCRIPTION
DRWN: ADRA1NOL 2005/11/29	
CHKD: KSAMIEC 2005/11/29	
APPR: APATEL 2005/11/30	
REV C	

GENERAL TOLERANCES (UNLESS SPECIFIED)

	mm	INCH
4 PLACES	± .005	± .0004
3 PLACES	± .005	± .0004
2 PLACES	± 0.25	± .010
1 PLACE	± 0.38	± .015

ANGULAR ±1/2°

DRAFT WHERE APPLICABLE  
MUST REMAIN  
WITHIN DIMENSIONS

DIMENSION STYLE  
MM ONLY

DRAWN BY	DATE
SAMIEC	2003/02/12
CHECKED BY	DATE
MARGULIS	2003/02/12
APPROVED BY	DATE
MARGULIS	2003/02/12
MATERIAL NO.	

SCALE  
1.5:1

DESIGN UNITS  
METRIC

THIRD ANGLE  
PROJECTION



POWER DOCK MODULE  
SIGNAL 24 PIN  
VERTICAL SOLDER TAIL

MOLEX INCORPORATED

DOCUMENT NO.  
SD-45514-001

SHEET NO.  
1 OF 1

SIZE  
A

THIS DRAWING CONTAINS INFORMATION THAT IS PROPRIETARY TO MOLEX INCORPORATED AND SHOULD NOT BE USED WITHOUT WRITTEN PERMISSION

5

4

3

2

1