

MATERIALS AND FINISHES:

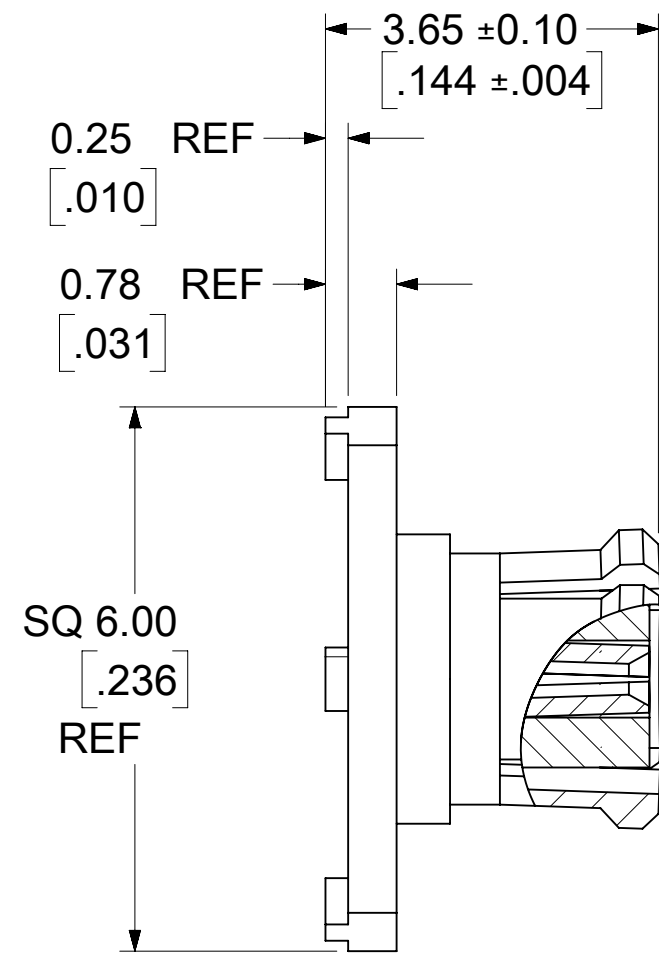
BODY: BRASS

PLATED: GOLD (10μ-in MIN)  
OVER NICKEL (100μ-in MIN)

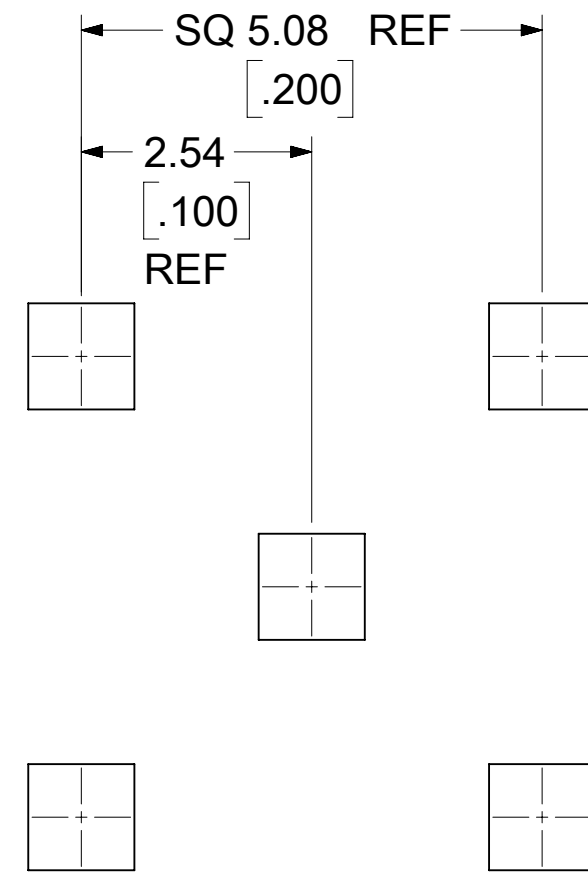
CENTER CONTACT: BRASS  
PLATED: GOLD (30μ-in MIN)  
OVER NICKEL (100μ-in MIN)

INSULATOR: PTFE

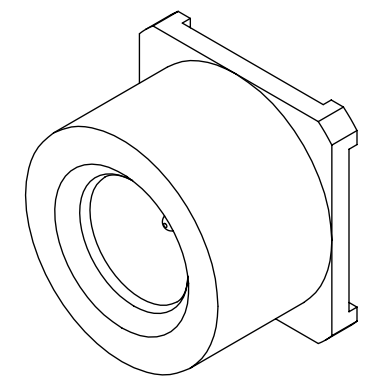
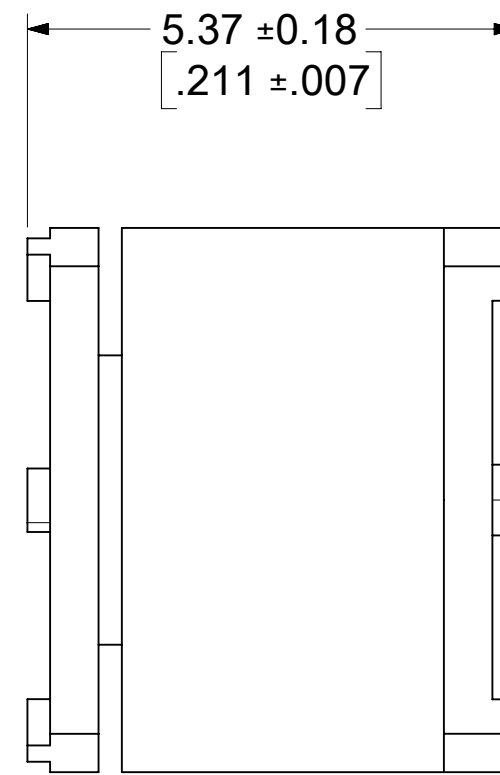
KAPTON: POLYIMIDE  
COLOR: BLACK



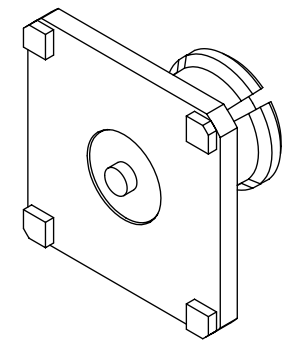
MOD SMP JACK  
(MOLEX 73415-5300)



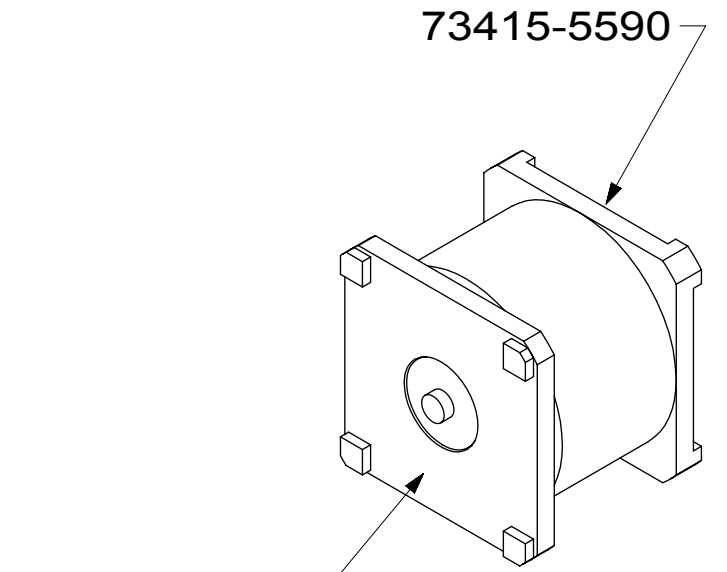
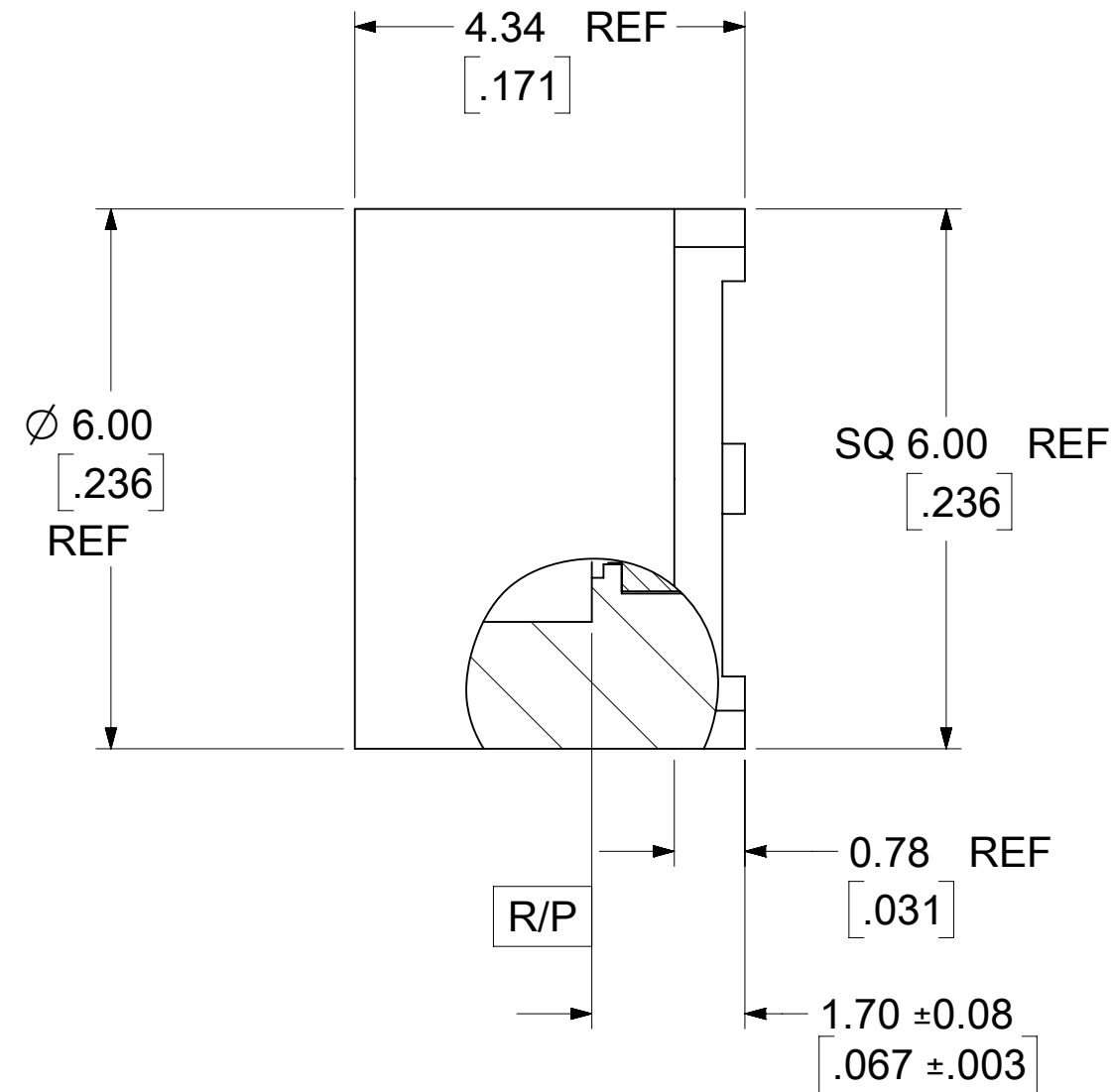
RECOMMENDED PCB LAYOUT



MOD SMP PLUG  
(MOLEX 73415-5590)



MOD SMP JACK  
(MOLEX 73415-5300)

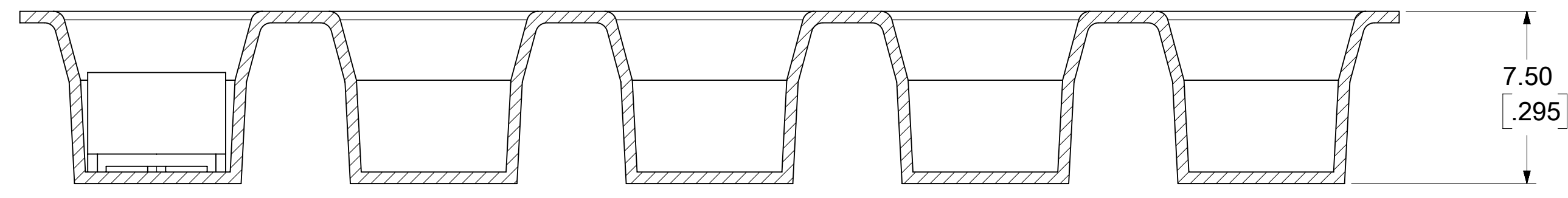
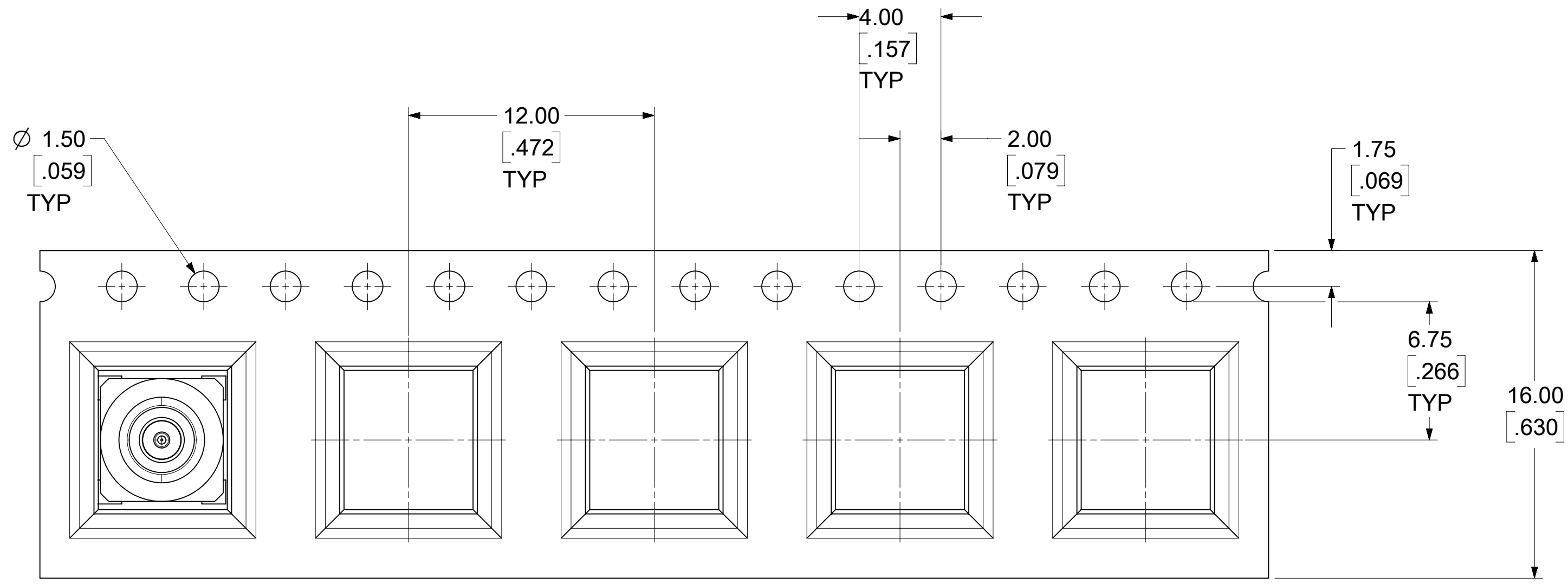


MOD SMP PLUG  
(MOLEX 73415-5590)

73415-5593	ONE PER BAG	895420470
73415-5592	TAPE AND REEL PACKAGING WITH KAPTON	-----
73415-5591	TAPE AND REEL PACKAGING WITHOUT KAPTON	-----
73415-5590	TRAY	895420040
PART NO.	DESCRIPTION	PACKING SPEC

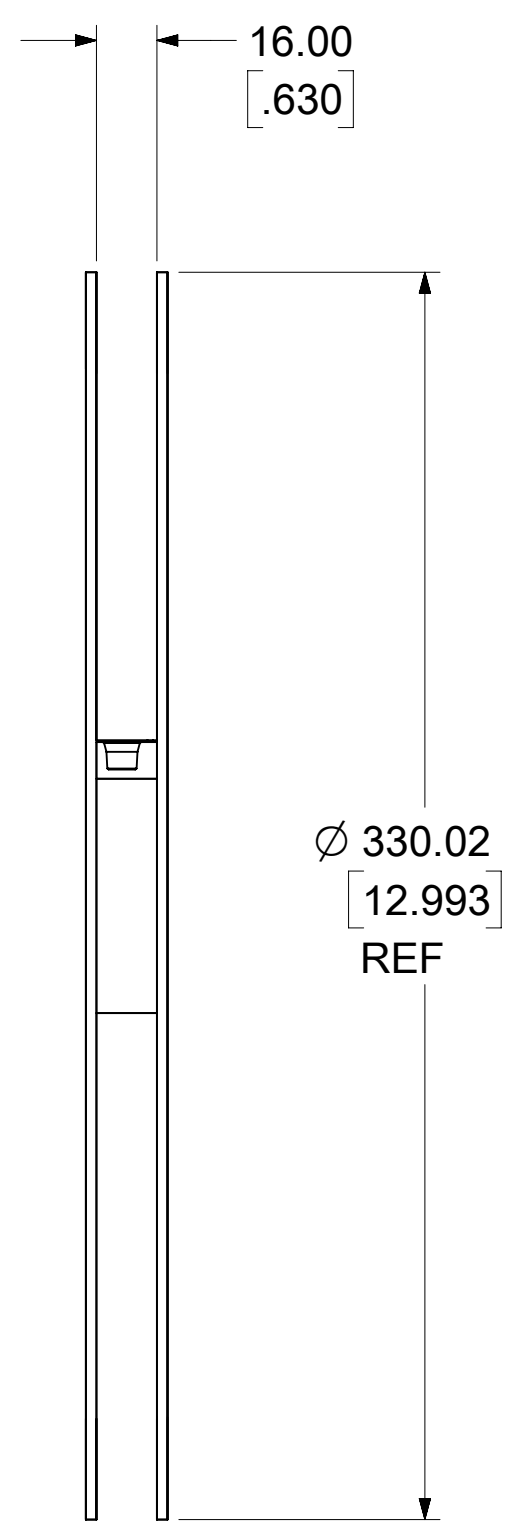
PS-89675-3320	PRODUCT SPECIFICATION
MIL-STD-348B, FIG. 326.1	INTERFACE SMP JACK
MIL-STD-348B, FIG. 326.5	INTERFACE SMP PLUG
SPECIFICATION	DESCRIPTION

FUNCTIONAL SYMBOLS	THIS DRAWING CONTAINS INFORMATION THAT IS PROPRIETARY TO MOLEX ELECTRONIC TECHNOLOGIES, LLC AND SHOULD NOT BE USED WITHOUT WRITTEN PERMISSION						
	DIMENSION UNITS	SCALE	CURRENT REV DESC:				
$\nabla_A = 0$	MM/INCH	NTS	EWR # 15321-E ADDED -5593 PART NO				
$\nabla_C = 0$	GENERAL TOLERANCES (UNLESS SPECIFIED)		EC NO: 718007 DRWN: BSHAH 2022/04/18 CHK'D: YCHENG 2022/08/24 APPR: YCHENG 2022/08/24				
$\nabla_P = 0$	ANGULAR TOL ± 2.0°						
DIVISIONAL SYMBOLS	4 PLACES	±	INITIAL REVISION: DRWN: JMASTRIANO 2005/10/10 APPR: JWIENER 2005/10/11				
	3 PLACES	±					
	2 PLACES	± 0.25					
	1 PLACE	±					
	0 PLACES	±	DOCUMENT NUMBER	DOC TYPE	DOC PART	REVISION	
			SD-73415-559	PSD	001	A6	
	DRAFT WHERE APPLICABLE MUST REMAIN WITHIN DIMENSIONS	THIRD ANGLE PROJECTION	DRAWING	SERIES	MATERIAL NUMBER	CUSTOMER	SHEET NUMBER
			C-SIZE	73415		GENERAL MARKET	1 OF 3

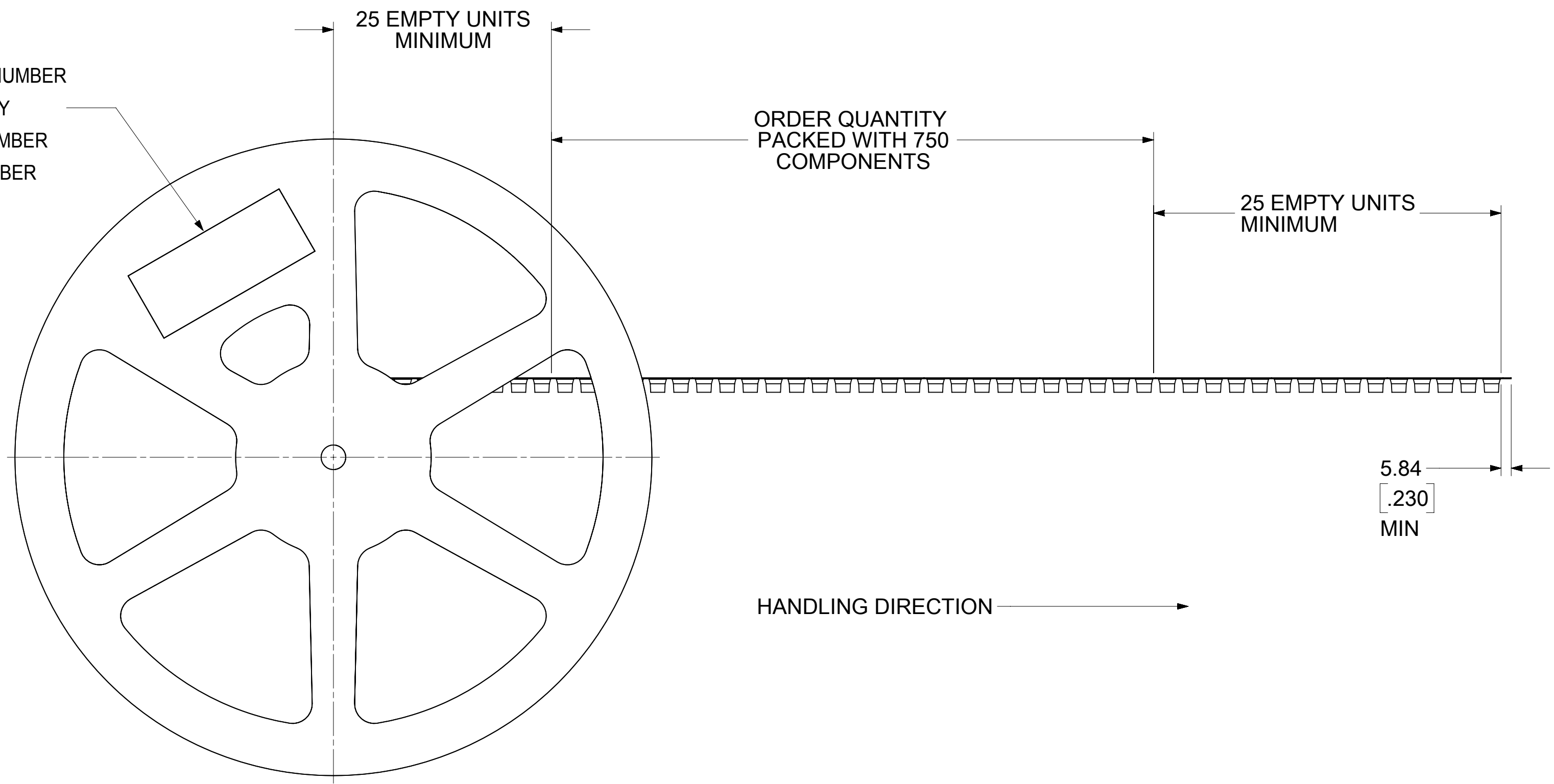


FUNCTIONAL SYMBOLS		THIS DRAWING CONTAINS INFORMATION THAT IS PROPRIETARY TO MOLEX ELECTRONIC TECHNOLOGIES, LLC AND SHOULD NOT BE USED WITHOUT WRITTEN PERMISSION		CURRENT REV DESC:		<b>molex</b>	
DIMENSION UNITS		SCALE		EWR # 15321-E ADDED -5593 PART NO			
MM/INCH		NTS		EC NO: 718007		MOD SMP PLUG, PCB, SMT	
GENERAL TOLERANCES (UNLESS SPECIFIED)		ANGULAR TOL ± 2.0°		DRWN: BSHAH 2022/04/18		50 OHMS, EWR-2926 SMP-P/PCB/SMT	
4 PLACES ±		3 PLACES ±		CHK'D: YCHENG 2022/08/24		PRODUCT CUSTOMER DRAWING	
2 PLACES ± 0.25		1 PLACE ±		APPR: YCHENG 2022/08/24		DOCUMENT NUMBER	
1 PLACE ±		0 PLACES ±		INITIAL REVISION:		DOC TYPE	
DRAFT WHERE APPLICABLE MUST REMAIN WITHIN DIMENSIONS		THIRD ANGLE PROJECTION		DRWN: JMASTRIANO 2005/10/10		DOC PART	
				APPR: JWIENER 2005/10/11		REVISION	
				DRAWING		SERIES	
				C-SIZE		73415	
				MATERIAL NUMBER		CUSTOMER	
				GENERAL MARKET		SHEET NUMBER	
				SD-73415-559		2 OF 3	

DOCUMENT STATUS	P1	RELEASE DATE	2022/08/24 02:18:09
-----------------	----	--------------	---------------------



LABEL:  
-ORDER NUMBER  
-QUANTITY  
-PART NUMBER  
-LOT NUMBER



FUNCTIONAL SYMBOLS	THIS DRAWING CONTAINS INFORMATION THAT IS PROPRIETARY TO MOLEX ELECTRONIC TECHNOLOGIES, LLC AND SHOULD NOT BE USED WITHOUT WRITTEN PERMISSION											
DIMENSION UNITS	SCALE	CURRENT REV DESC:										
MM/INCH	NTS	EWR # 15321-E ADDED -5593 PART NO										
GENERAL TOLERANCES (UNLESS SPECIFIED)	ANGULAR TOL	±	2.0°	EC NO: 718007				2022/04/18				
4 PLACES	±			DRWN: BSHAH				2022/08/24				
3 PLACES	±			CHK'D: YCHENG				2022/08/24				
2 PLACES	±	0.25		APPR: YCHENG				2022/08/24				
1 PLACE	±			INITIAL REVISION:								
0 PLACES	±			DRWN: JMASTRIANO				2005/10/10				
				APPR: JWIENER				2005/10/11				
DRAFT WHERE APPLICABLE MUST REMAIN WITHIN DIMENSIONS	THIRD ANGLE PROJECTION	DRAWING	SERIES	MATERIAL NUMBER		CUSTOMER		DOCUMENT NUMBER		DOC TYPE	DOC PART	REVISION
		C-SIZE	73415			GENERAL MARKET		SD-73415-559		PSD	001	A6
DOCUMENT STATUS	P1	RELEASE DATE		2022/08/24		02:18:09						SHEET NUMBER
												3 OF 3