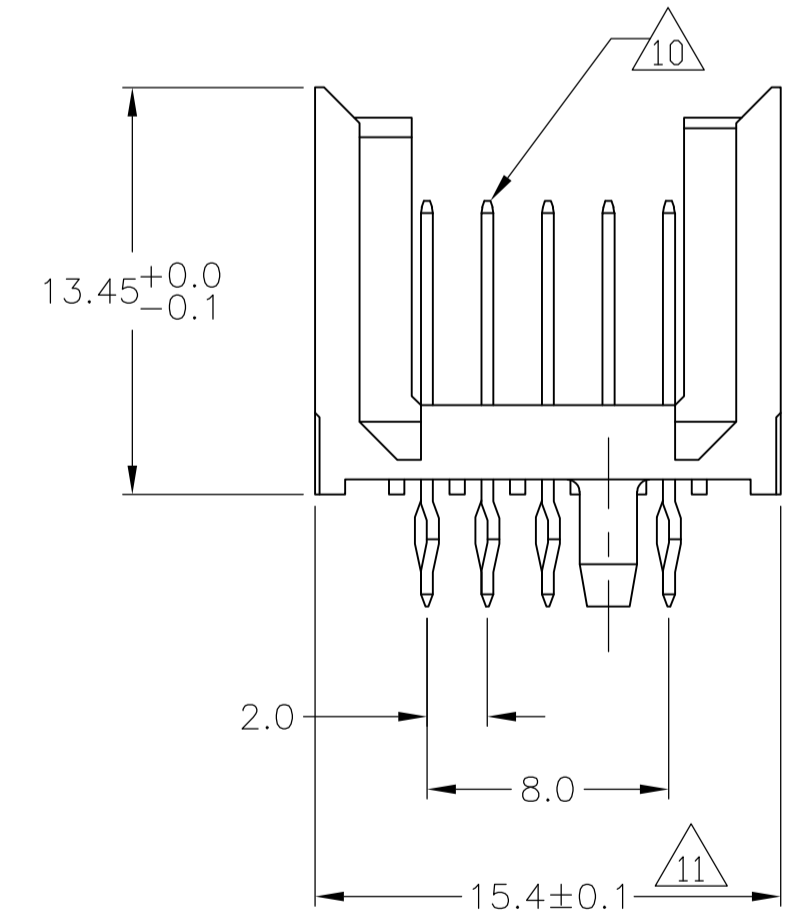
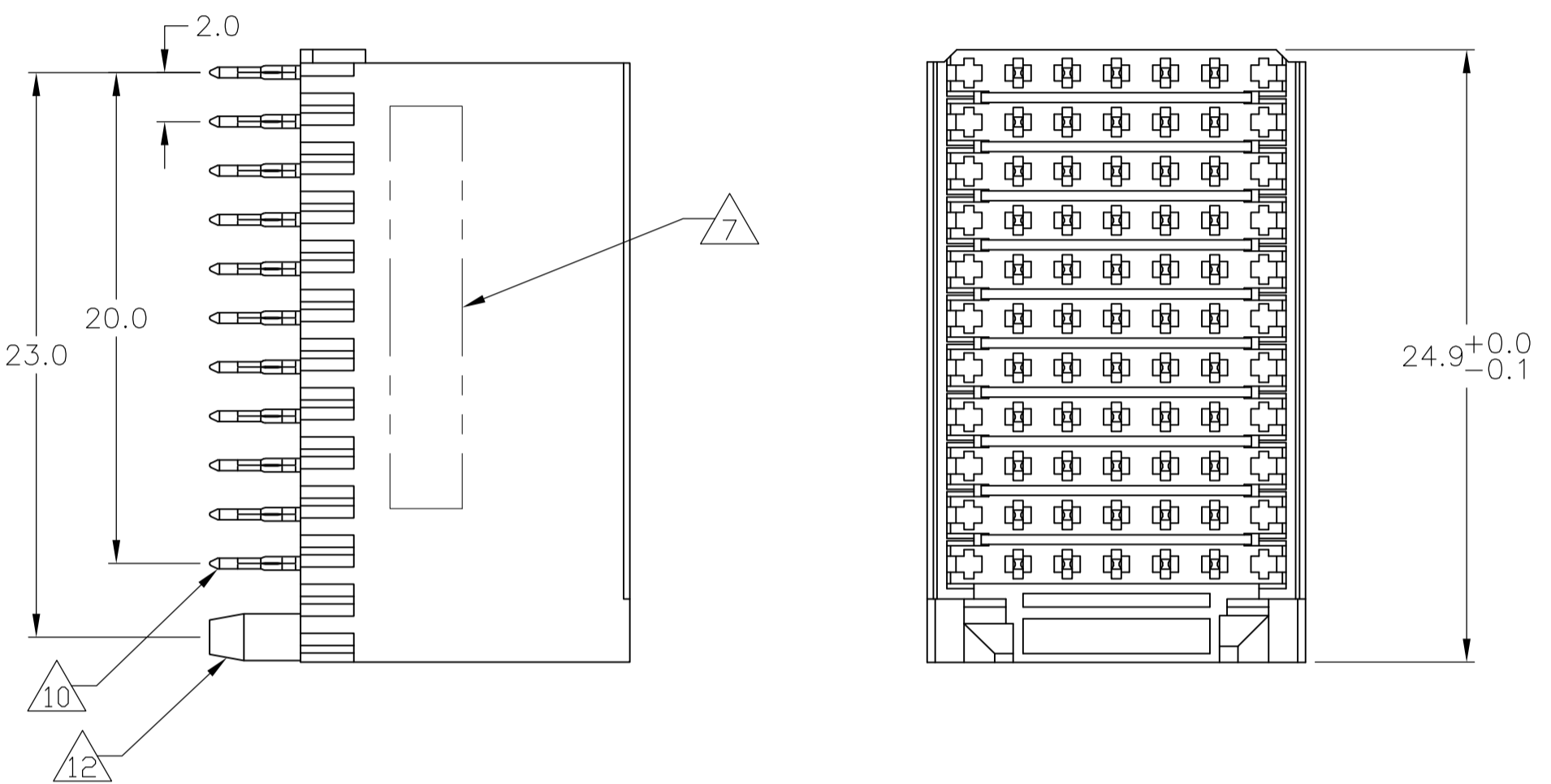
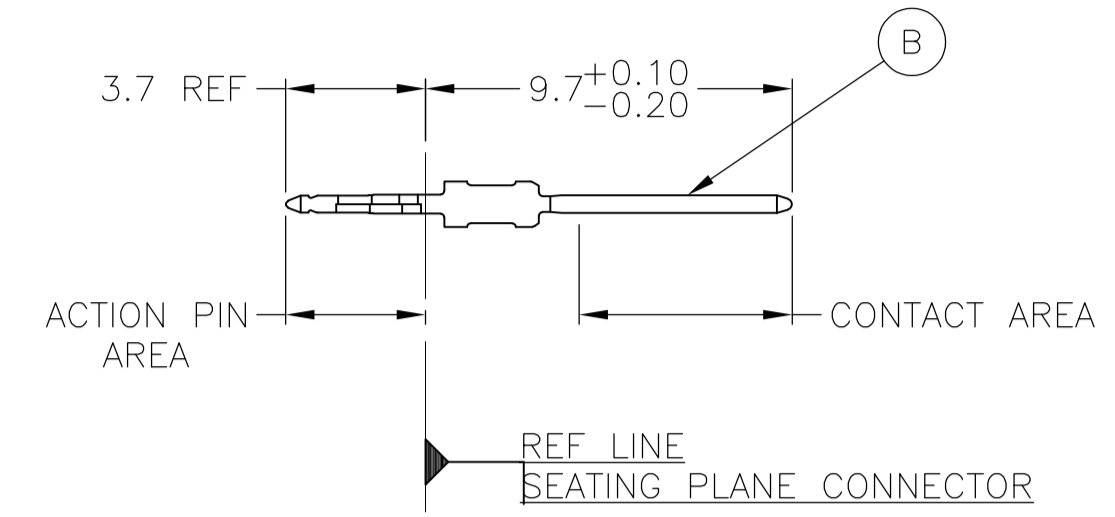


LOC		DIST		REVISIONS			
AD	00	REV	DESCRIPTION	DATE	BY	APPV	
D		REV PER EC	0512-0304-05	13DEC05	BC	GS	
E		ECR-10-018652		10SEP10	SW	MQW	
F		ECR-12-010652		25NOV12	SY	AC	

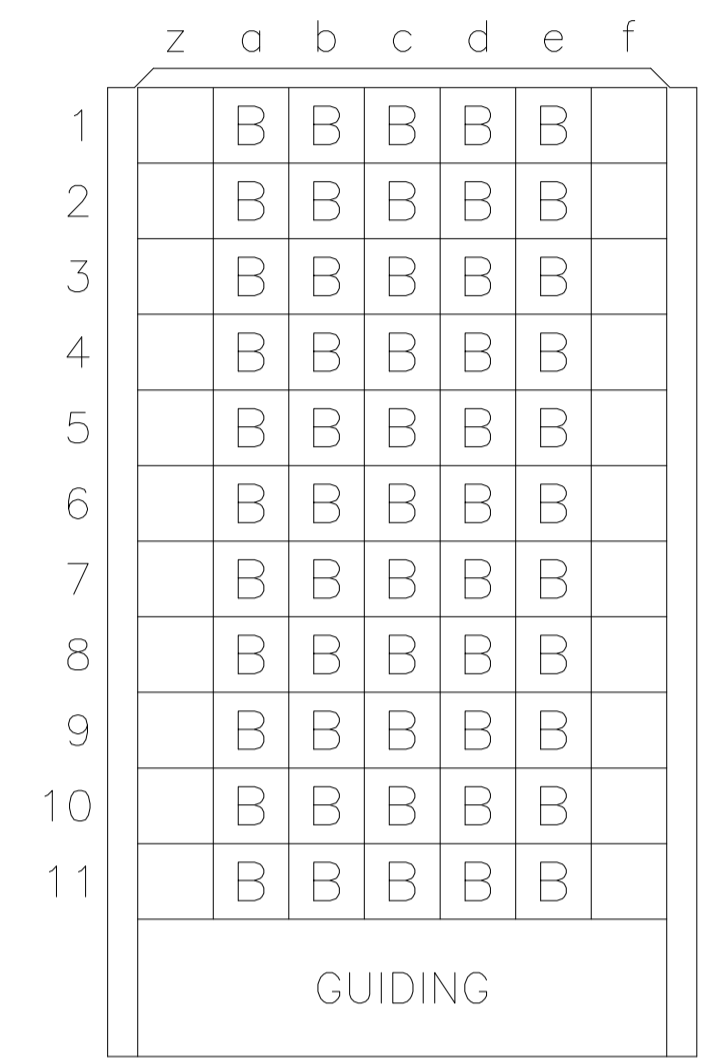
**CONNECTOR ASSEMBLY
EXAMPLARY LOADED**



CONTACT DIMENSIONS
SCALE 5:1

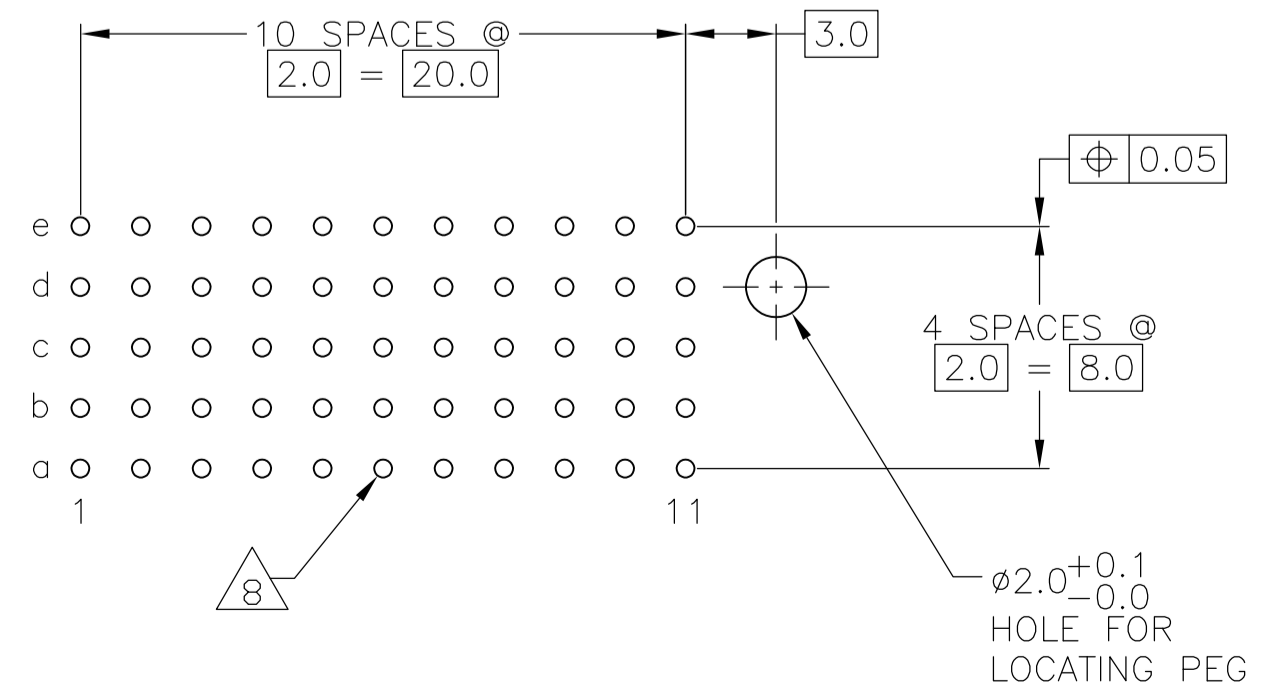


CONTACT LAYOUT



**RECOMMENDED PCB-HOLE LAYOUT
COMPONENT SIDE SHOWN**

PLATED THRU HOLES PARAMETERS
REFERENCE APPLICATION SPECIFICATION



OBSOLETE	2 6 13	1-188232-9
OBSOLETE	2 5 13	188232-9
OBSOLETE	2 4	188232-4
OBSOLETE	2 3	188232-1
FINISH		PART NUMBER

THIS DRAWING IS A CONTROLLED DOCUMENT.		DIN		Tyco Electronics Corporation	
DIMENSIONS: mm		B. CARDO	13DEC05	Harrisburg, Pa 17105-3608	
TOLERANCES UNLESS OTHERWISE SPECIFIED:		G. SKIPPER	13DEC05	NAME	
0-PLC	±	G. SKIPPER	13DEC05	PRODUCT SPEC	
1-PLC	±0.2	APV0		108-19082	
2-PLC	±0.052	PRODUCT SPEC		APPLICATION SPEC	
3-PLC	±0.005	NAME		114-19029	
4-PLC	±0.005	SIZE		CAGE CODE DRAWING NO	
ANGLES	±0.30°	WEIGHT		RESTRICTED TO	
MATERIAL	SEE TABLE	A1		00779	
		CUSTOMER DRAWING		SCALE 4:1 SHEET 1 OF 2 REV F	

LOC		DIST		REVISIONS				
P	LTR	DESCRIPTION	DATE	DN	APVD			
AD	00	SEE SHEET 1						

- 1 MATERIAL:
CONTACT: PHOSPHOR BRONZE.
HOUSING: GLASS-FILLED POLYESTER.
- 2 GENERAL PLATING SPECIFICATION: UNDERPLATING
(ENTIRE CONTACT): 1.27µm MIN NICKEL AND ACTION
PIN: 0.5µm MIN TIN/LEAD.
FOR PLATING OF MATING SURFACES SEE APPLICABLE
SPECIFICATION REFERENCE FOR EACH DASH NUMBER.
- 3 CONFORMS TO ALL TESTING ACCORDING TO IEC 61076-4-101
PERFORMANCE LEVEL 2.
- 4 CONFORMS TO ALL TESTING ACCORDING TO IEC 61076-4-101
PERFORMANCE LEVEL 1.
- 5 CONNECTOR TESTED AND QUALIFIED AGAINST TELCORDIA GR-1217-CORE QUALITY LEVEL 3,
CENTRAL OFFICE APPLICATIONS.
- 6 CONNECTOR TESTED AND QUALIFIED AGAINST TELCORDIA GR-1217-CORE QUALITY LEVEL 3,
UNCONTROLLED ENVIROMENT APPLICATIONS.
- 7 CONNECTOR MARKED WITH PART NUMBER AND DATE CODE.
ADDITIONAL CHARACTERS OR MARKINGS, AS WELL AS THE LOCATION OF THE MARKINGS,
MAY BE ADDED FOR TRACEABILITY BASED UPON MANUFACTURERS DISCRETION.
- 8 PLATED-THROUGH HOLES AT 2x2mm SQUARE GRID
PATTERN DEFINED BY CONTACT LAYOUT.
- 9 FOR ACTUAL PIN LOADING SEE "CONTACT LAYOUT".
- 10 FOR ACTUAL PIN DIMENSIONS SEE "CONTACT DIMENSIONS".
- 11 TO BE MEASURED AT BOTTOM OF SHROUD.
- 12 LOCATION PEG.
- 13 CONNECTOR LUBRICATED WITH BELCORE APPROVED LUBRICANT,
TECHNICAL REFERENCE: TR-NWT-001217 ISSUE 1, SEP 1992.

THIS DRAWING IS A CONTROLLED DOCUMENT.		DIN E CARBO 130EC05	Tyco Electronics Corporation Harrisburg, Pa 17105-3608	
DIMENSIONS: mm		CIK G SKIPPER 130EC05	NAME MALE ASSEMBLY, Z-PACK 2mm HM, TYPE C	
		APVD G SKIPPER 130EC05	PRODUCT SPEC 108-19082	
MATERIAL SEE SHEET 1		FINISH SEE SHEET 1	APPLICATION SPEC 114-19029	RESTRICTED TO —
WEIGHT —		SIZE A1	CAGE CODE 00779	DRAWING NO 188232
CUSTOMER DRAWING		SCALE 4:1	SHEET 2	OF 2 REV F