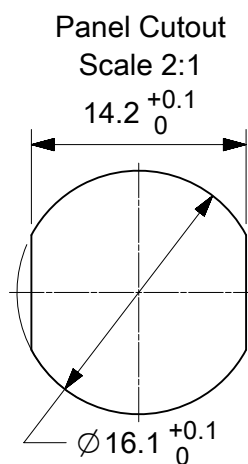
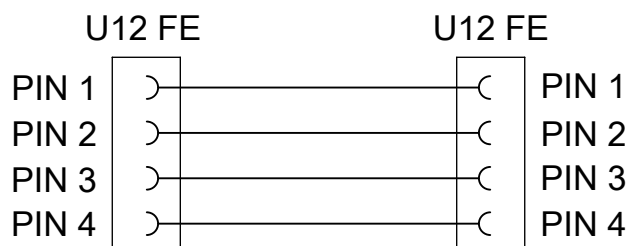
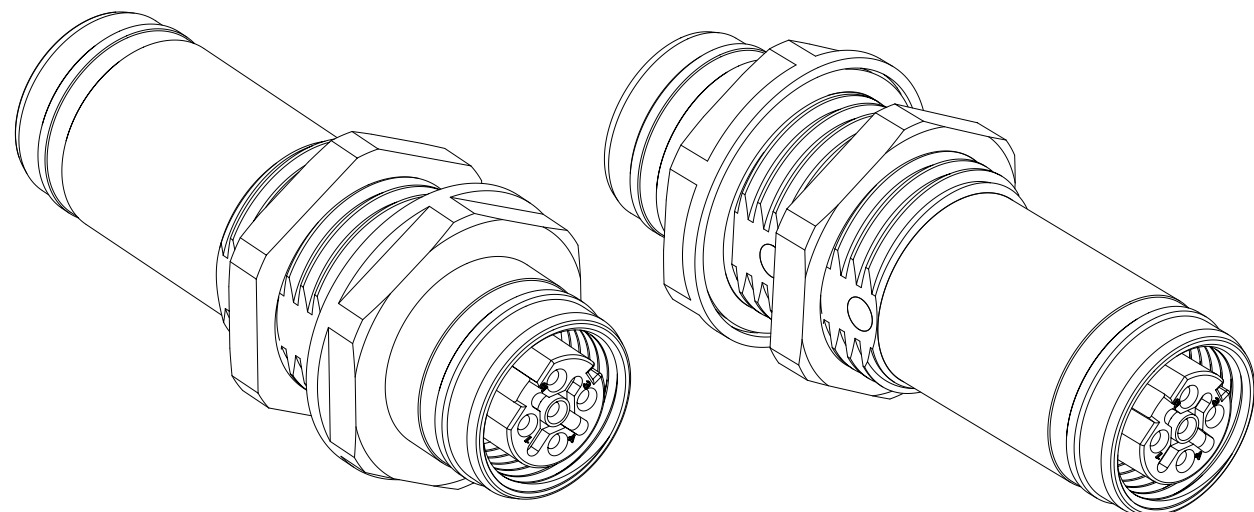


WIRING DIAGRAM



**NOTES:**  
 CONTACT CURRENT RATING: 4A  
 VOLTAGE RATING: 60V  
 TEMPERATURE: -25°C / +85°C  
 INTERNATIONAL PROTECTION: SIDE 1 - IP 67/68/69K  
 SIDE 2 - IP65

ITEM	QTY.	DESCRIPTION	MATERIAL	FINISH
8	-	POTTING MATERIAL 2-CMPT	PUR-BASE	---
7	1	LOCKNUT SW19 M16x1.5	BRASS	NICKEL
6	1	ORING Ø16mm BLACK	EPDM	---
5	-	WIRES 0.35mm <sup>2</sup>	PVC	---
4	2	ORING Ø7.1mm RED	FPM	---
3	2	INSERT FEMALE 5P AC BLACK	PUR	---
2	1	SHELL U12/M16/U12	BRASS	NICKEL
1	8	CONTACT M12 FEMALE	BRONZE	SELECTIVE Au OVER Ni



SCALE 2:1

QUALITY SYMBOLS		THIS DRAWING CONTAINS INFORMATION THAT IS PROPRIETARY TO MOLEX ELECTRONIC TECHNOLOGIES, LLC AND SHOULD NOT BE USED WITHOUT WRITTEN PERMISSION		DIMENSION UNITS		SCALE	
FA	= 0	2016/11/15	2016/11/22	MM		3:1	
FE	= 0	EC NO: 110653 DRWN: JMARSZALEK CHK'D: REV APPR: RSILLER	RSILLER	GENERAL TOLERANCES (UNLESS SPECIFIED)		DRWN BY	DATE
FF	= 0			ANGULAR TOL ± 1.0 °		JMARSZALEK	2016/08/11
▼	= 0			4 PLACES	±	CHK'D BY	DATE
∇	= 0			3 PLACES	±	APPR BY	DATE
∇	= 0			2 PLACES	± 0.05	RSILLER	2016/08/29
⊗	= 0			1 PLACE	± 0.3	DRAWING SIZE	THIRD ANGLE PROJECTION
⊗	= 0	0 PLACES	± 0.5	A3			
■	= 0	DRAFT WHERE APPLICABLE MUST REMAIN WITHIN DIMENSIONS					
∇	= 0	A1	REV				

<b>molex</b>			
REC U12 U12 4P DC FE FE M16 BULKHEAD			
PRODUCT CUSTOMER DRAWING			
SERIES	MATERIAL NUMBER	CUSTOMER	
120084	1200848170	GENERAL MARKET	
DOCUMENT NUMBER		DOC TYPE	DOC PART SHEET NUMBER
1200848170		PSD	000 1 OF 1