

# Flush-type connector - SACC-DSI-MINFS-5CON-M26 PCB - 1457775

Please be informed that the data shown in this PDF Document is generated from our Online Catalog. Please find the complete data in the user's documentation. Our General Terms of Use for Downloads are valid (<http://phoenixcontact.com/download>)



Sensor/actuator flush-type socket, 5-pos., 7/8", PCB mounting with M26 fastening thread

The figure shows the 3-pos. version



## Key Commercial Data

Packing unit	1 pc
GTIN	
GTIN	4046356616966

## Technical data

### Ambient conditions

Ambient temperature (operation)	-40 °C ... 85 °C (Socket)
Degree of protection	IP67

### General

Rated current at 40°C	9 A
Rated voltage	250 V
Number of positions	5
Insulation resistance	≥ 100 MΩ
Coding	A - standard
Status display	No
Overvoltage category	II
Degree of pollution	3
Connection method	Solder pins
Mounting type	PCB mounting M26

### Material

Flammability rating according to UL 94	HB
Contact material	CuZn

## Flush-type connector - SACC-DSI-MINFS-5CON-M26 PCB - 1457775

### Technical data

#### Material

Contact surface material	Au
Contact carrier material	PUR
Material, knurls	Zinc die-cast, nickel-plated
Sealing material	Viton

#### Standards and Regulations

Connection in acc. with standard	CUL
Flammability rating according to UL 94	HB

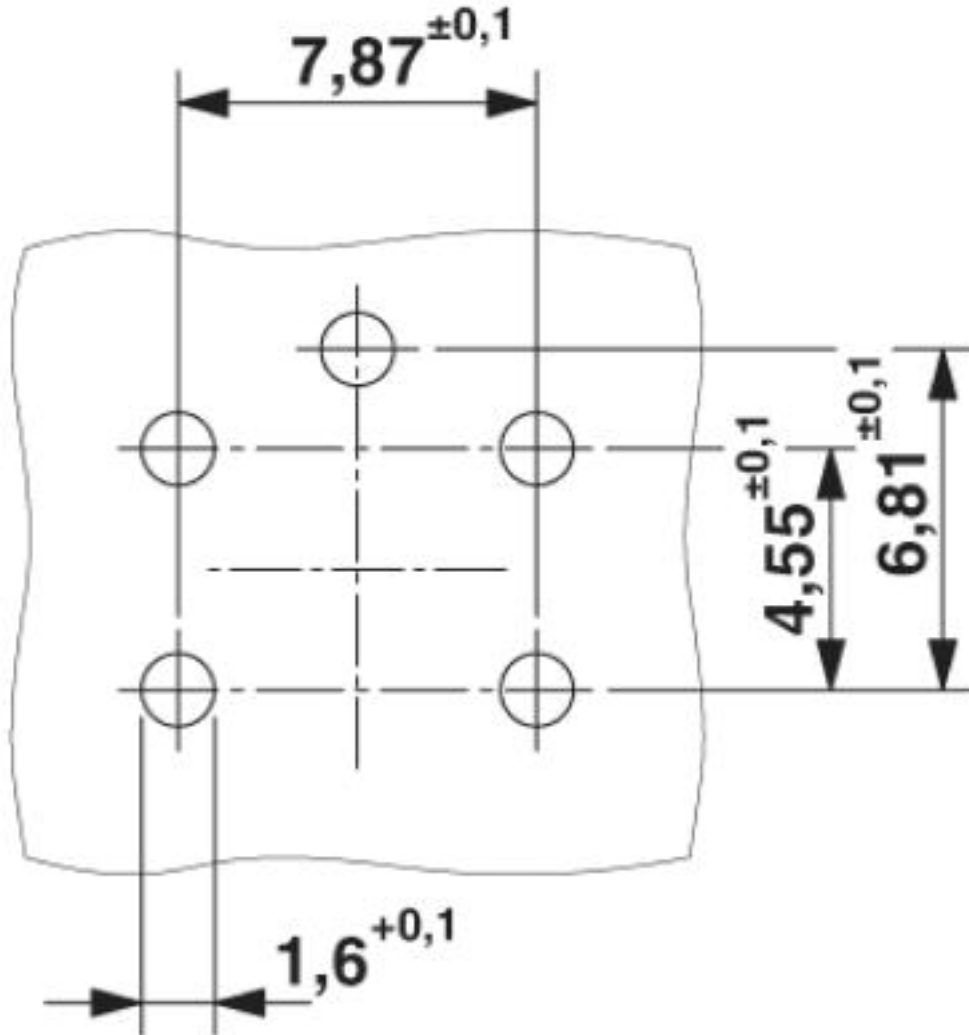
#### Environmental Product Compliance

	Lead 7439-92-1
China RoHS	Environmentally Friendly Use Period = 25;
	For details about hazardous substances go to tab "Downloads", Category "Manufacturer's declaration"

### Drawings

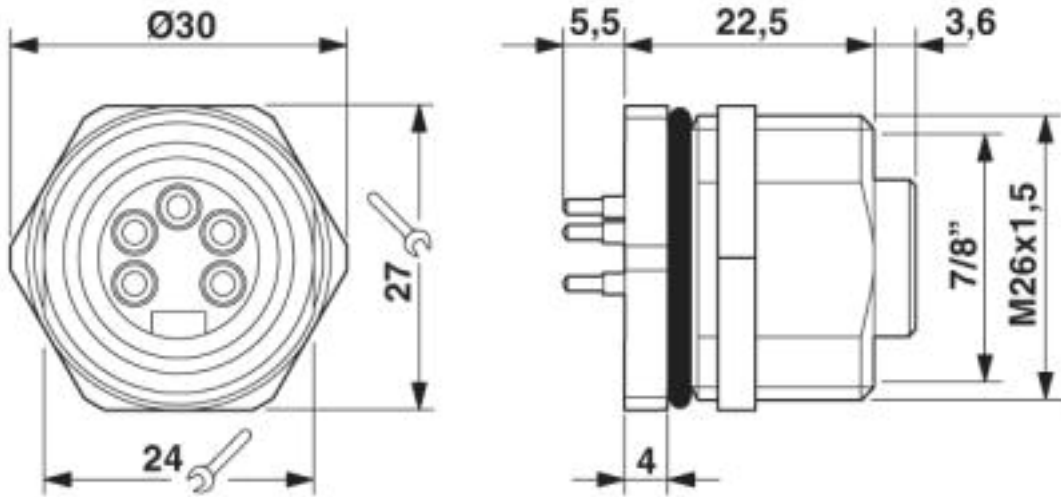
# Flush-type connector - SACC-DSI-MINFS-5CON-M26 PCB - 1457775

Drilling diagram



# Flush-type connector - SACC-DSI-MINFS-5CON-M26 PCB - 1457775

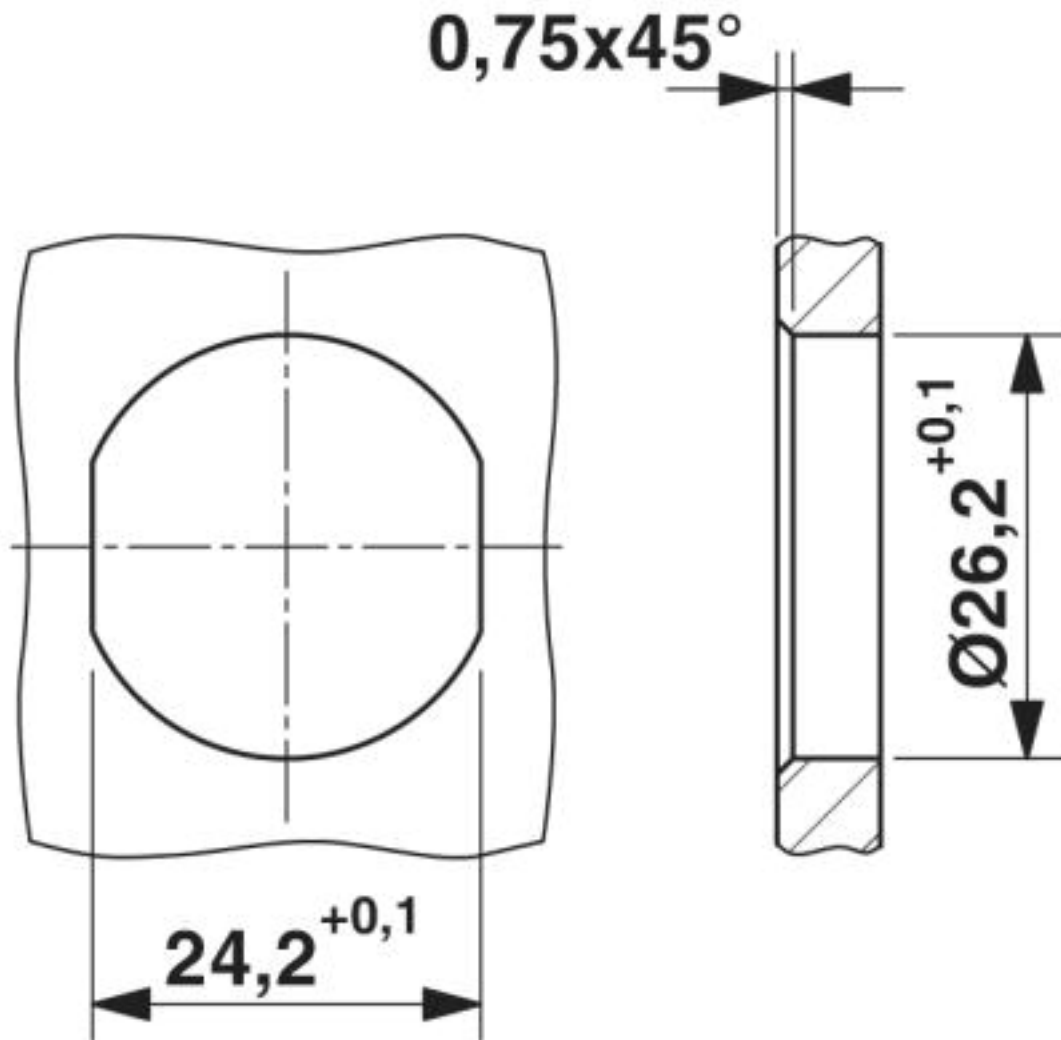
Dimensional drawing



$\frac{7}{8}''$  flush-type socket

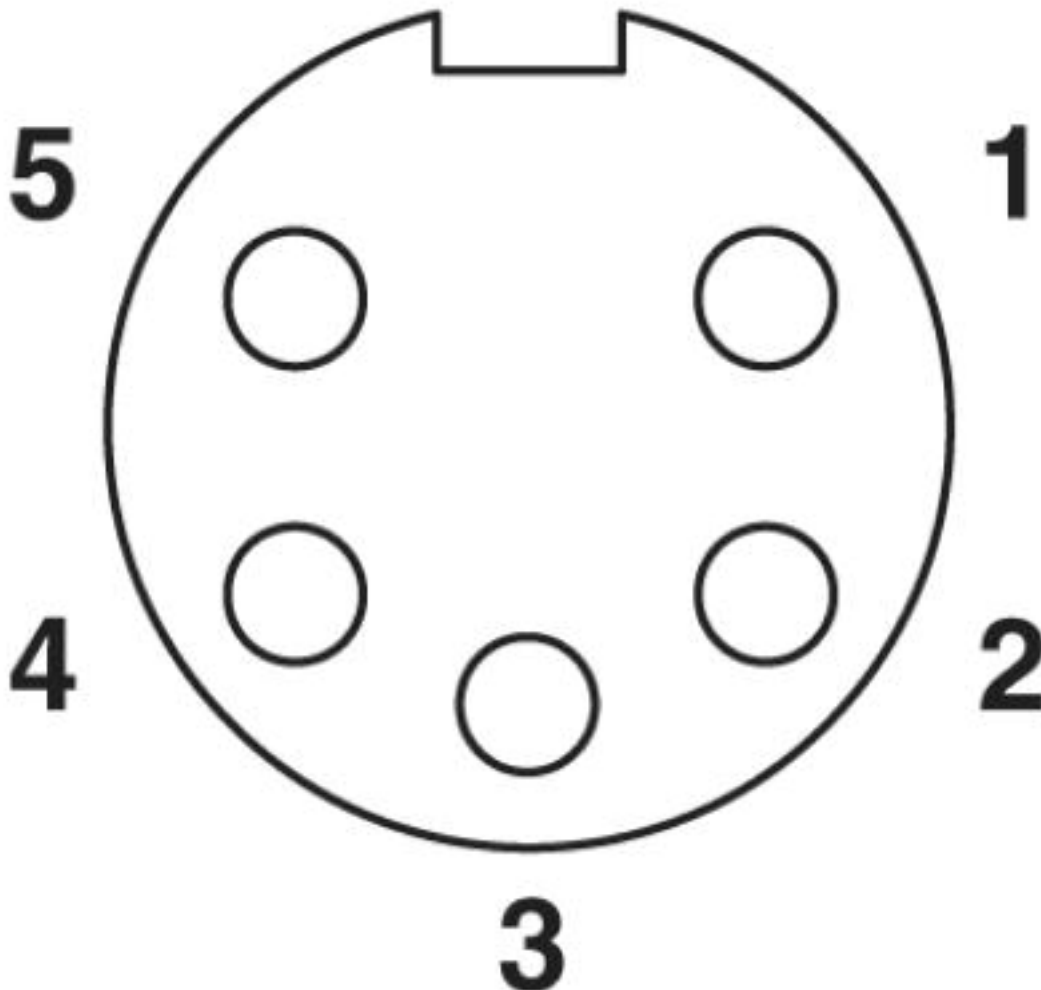
# Flush-type connector - SACC-DSI-MINFS-5CON-M26 PCB - 1457775

Dimensional drawing



# Flush-type connector - SACC-DSI-MINFS-5CON-M26 PCB - 1457775

Schematic diagram



Connector pin assignment

## Approvals

Approvals

---

Approvals

UL Recognized / cUL Recognized / EAC / cULus Recognized

---

Ex Approvals

---

Approval details

# Flush-type connector - SACC-DSI-MINFS-5CON-M26 PCB - 1457775

## Approvals

UL Recognized		<a href="http://database.ul.com/cgi-bin/XYV/template/LISEXT/1FRAME/index.htm">http://database.ul.com/cgi-bin/XYV/template/LISEXT/1FRAME/index.htm</a>	FILE E 221474
Nominal voltage UN	600 V		
Nominal current IN	8 A		
mm <sup>2</sup> /AWG/kcmil	20		

cUL Recognized		<a href="http://database.ul.com/cgi-bin/XYV/template/LISEXT/1FRAME/index.htm">http://database.ul.com/cgi-bin/XYV/template/LISEXT/1FRAME/index.htm</a>	FILE E 221474
Nominal voltage UN	600 V		
Nominal current IN	8 A		
mm <sup>2</sup> /AWG/kcmil	20		

EAC		B.01742
-----	--	---------

cULus Recognized	
------------------	--

Phoenix Contact 2019 © - all rights reserved  
<http://www.phoenixcontact.com>

PHOENIX CONTACT GmbH & Co. KG  
Flachsmarktstr. 8  
32825 Blomberg  
Germany  
Tel. +49 5235 300  
Fax +49 5235 3 41200  
<http://www.phoenixcontact.com>