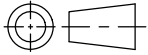
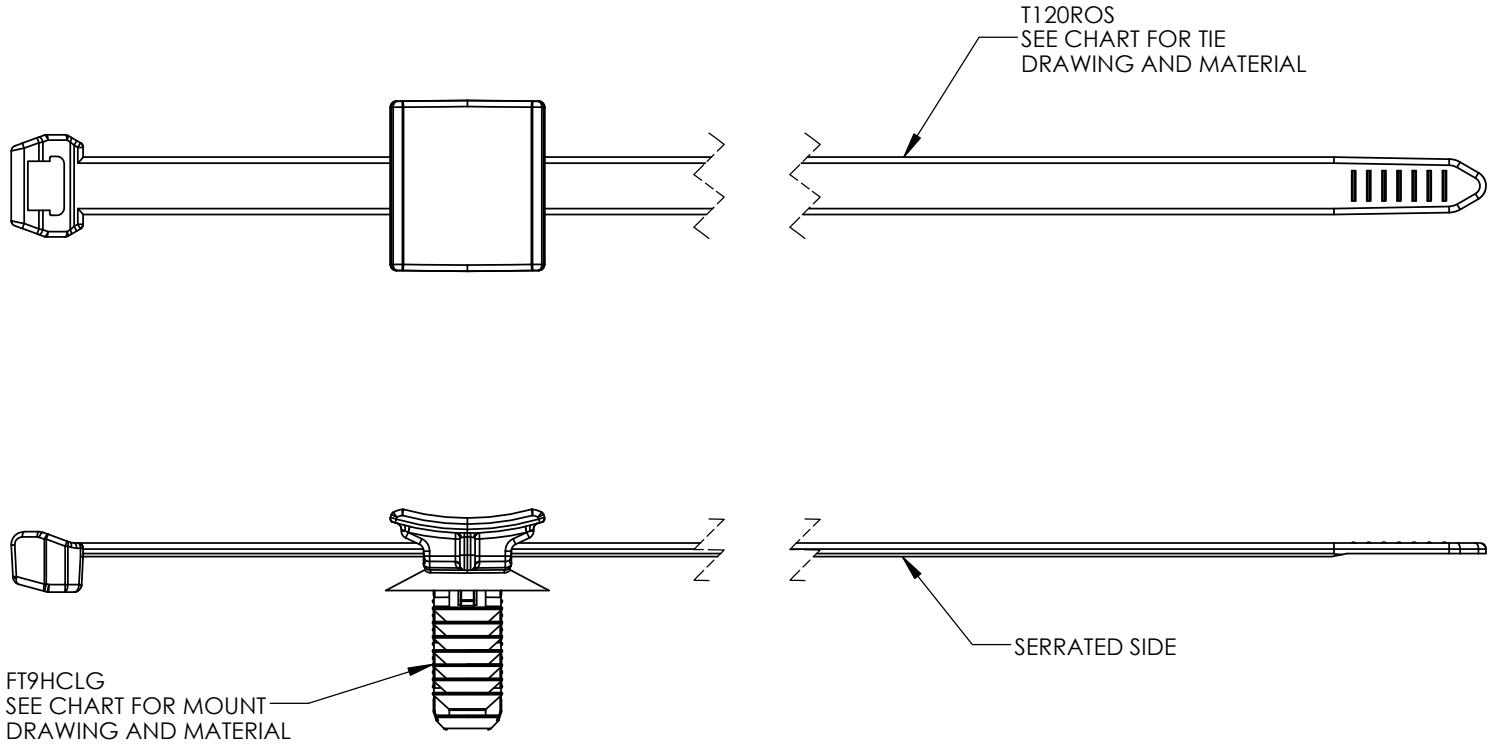


SW2014



Revision level			Revision Record	Changed	Date	Approved	Date
Drawing	State	Part					
03.1	Design Release	-	SEE ECN# 015638	JMC	1/10/20	EJH	1/10/20



03.1

TYPE	BUNDLE RANGE	CABLE TIE		MOUNT	
		DRAWING	MATERIAL	DRAWING	MATERIAL
T120ROSFT9HCLG	5 to 105	DWG-0503-02	PA66HS	14-1059-001-CSU	PA66HIRHSUV

Material
SEE CHART

Units: **inches**
 Dimension without tolerances details to:
 .xxxx = ±.0005
 .xxx = ±.005
 .xx = ±.01
 .x = ±.03
 None = ±.06
 ∠ = ±0.5°
 Dimension Formatted in/[mm]

The copyright of this drawing is reserved by HellermannTyton. It is issued on condition that it is not reproduced, copied, or disclosed to a third party, either wholly or in part, without the consent of HellermannTyton.

Drawn	AAC	05/13/2015
Approved	KAC	05/13/2015
HellermannTyton		
North America Email: corp@htamericas.com Web: www.hellermann.tyton.com		

Article/Type-No SEE CHART
 Title T120ROSFT9HCLG
 T120ROS OUTSIDE SERRATED CABLE TIE WITH FT9HCLG MOUNT
 Drawing-No Production : Phase
14-1059-102-CSU

Scale 1:1
 Project Number PRP 14-1059
 Format AH
 Sheet 1/1