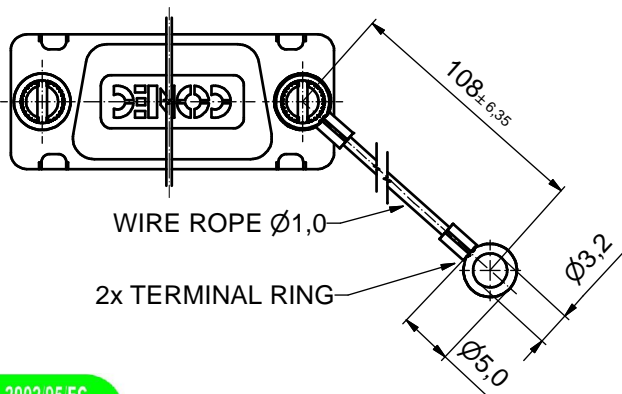
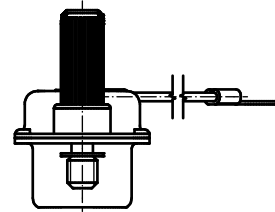
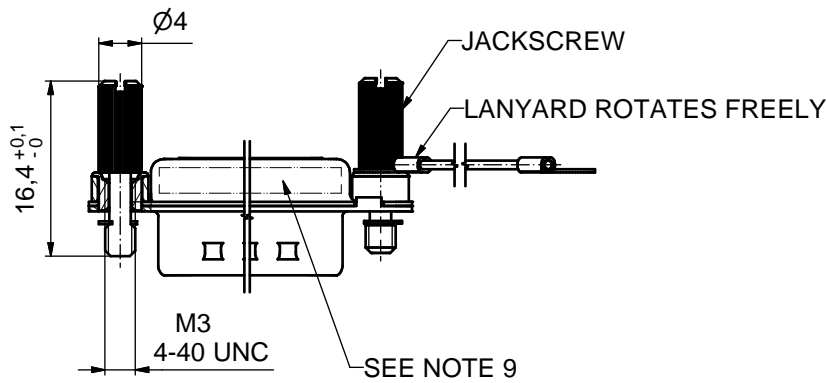
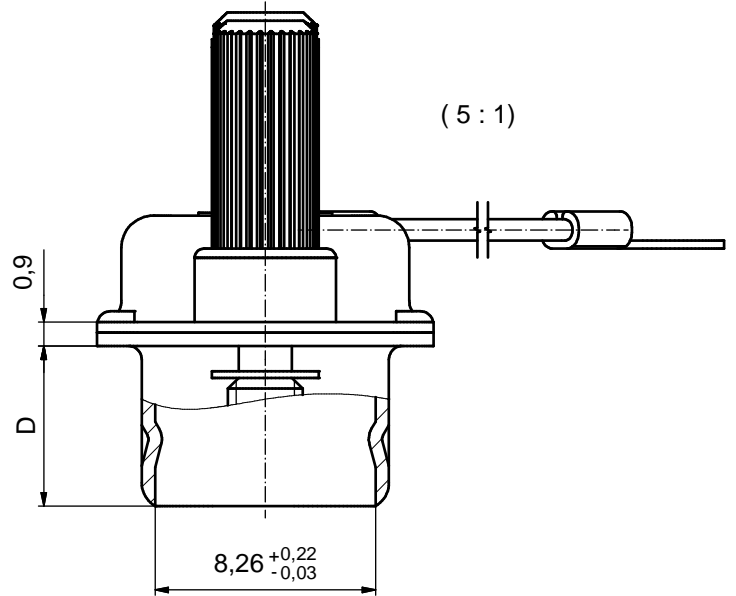
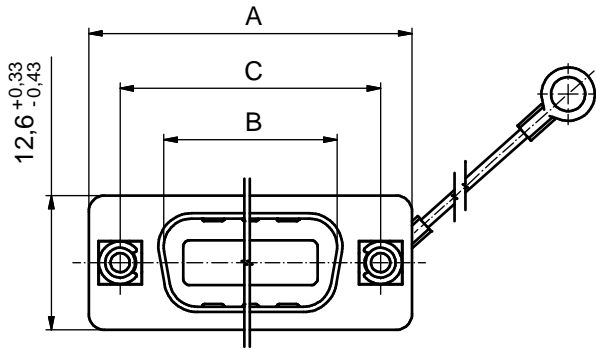


(5:1)



No. of pos.	A ^{-0.76}	B ^{+0.25}	C	D ^{-0.3}
9	31,19	16,79	25,00 ^{+0.12 -0.10}	6,12
15	39,52	25,12	33,30 ^{+0.15}	6,12
25	53,42	38,84	47,04 ^{±0.13}	5,99
37	69,70	55,30	63,50 ^{+0.13 -0.11}	5,99

Directive 2002/95/EC
"RoHS"
Compliant

Part No. for socket connector		
No. of pos.	UNC 4-40	M 3
9	16-000840	16-000790
15	16-000850	16-000800
25	16-000860	16-000810
37	16-000870	16-000820

NOTES:

- METALSHELLS: STEEL; min. 315µin TIN over 40-80µin NICKEL
- THREADED INSERT: COPPER ALLOY; min. 200µin TIN over 80µin NICKEL
- COLLAR: COPPER ALLOY; min. 200µin TIN over 80µin NICKEL
- JACKSCREW: STEEL; NICKEL PLATED
- WIRE ROPE: STAINLESS STEEL 1.4401
- RETAINING WASHER: STAINLESS STEEL 1.4122
- TERMINAL RING: UNINSULATED, COPPER ALLOY; min. 200µinTIN over 80µin NICKEL
- MAXIMUM TORQUE VALUE FOR THREAD: 6in.LB
- CONNECTOR IS PART MARKED: PART NO. CONEC ABC

APPROVAL # FREIGABE # DEBLOCAGE # AUTORIZACION # APPROVAL

CUSTOMER APPROVAL DATE:

NAME: _____ TITLE: _____

COMPANY NAME: _____

APPROVAL # FREIGABE # DEBLOCAGE # AUTORIZACION # APPROVAL

THIS DRAWING MAY NOT BE COPIED OR REPRODUCED IN ANY WAY AND MAY NOT BE PASSED ON TO A THIRD PARTY WITHOUT WRITTEN PERMISSION. OWNERSHIP AND COPYRIGHT OF CONEC GmbH

DO NOT ALTER CAD DRAWING BY HAND

rev.	description	date	name
a	Origin		



tolerance ISO 2768-m	dim. in mm	scale: 2:1 (5:1)
date	name	material: SEE NOTES
drawn: 17.11.08 appd.: 17.11.08	Petker Fischer	title: SCREEN CAP 9-37pos. FOR SOCKET CONNECTOR with threaded insert, jackscrew and wire rope
norm	d-old	dwg no: Inventor 10
		DIN-A3 sh: 1
		part no: 16K1A2397
		part no: see table