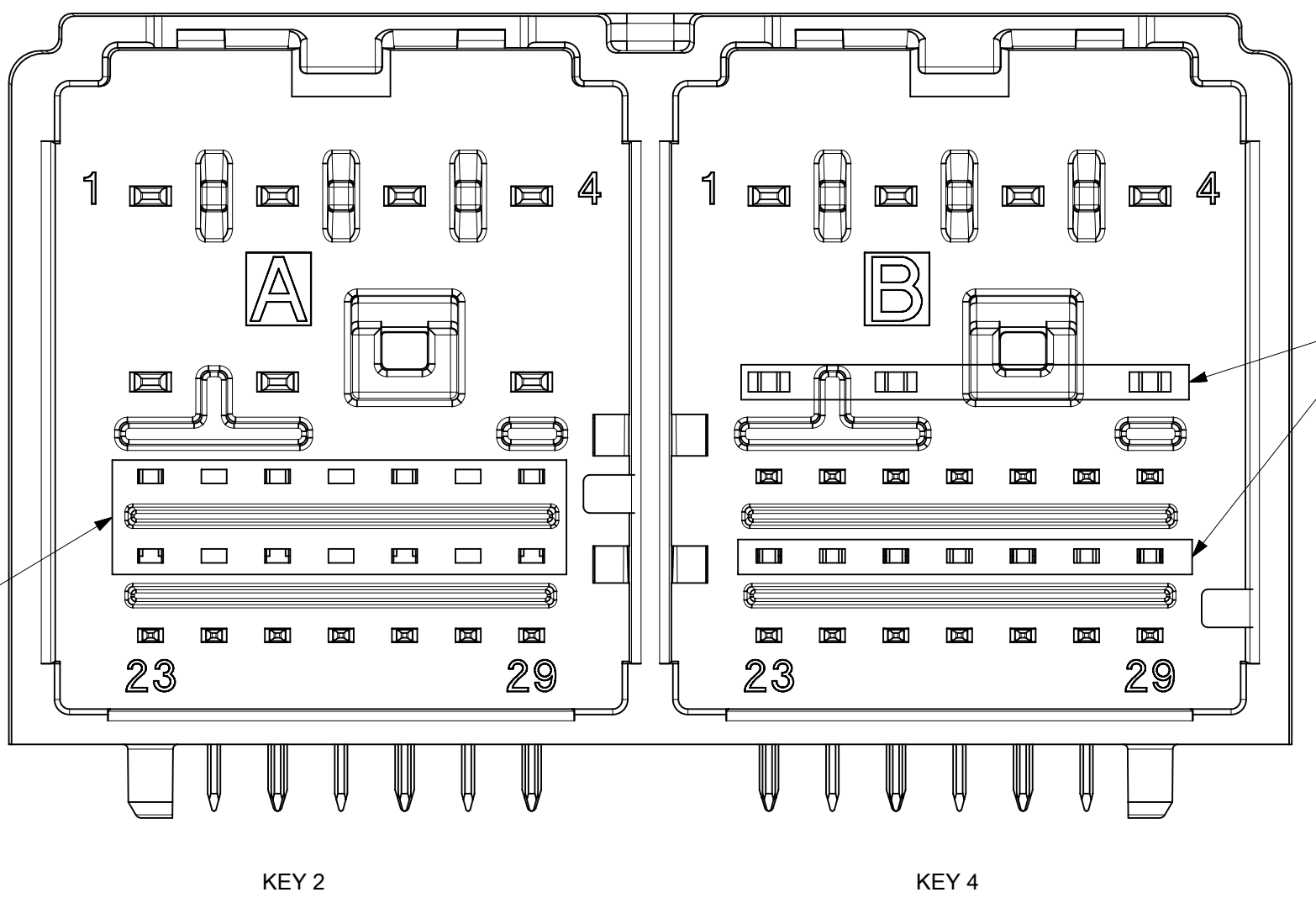


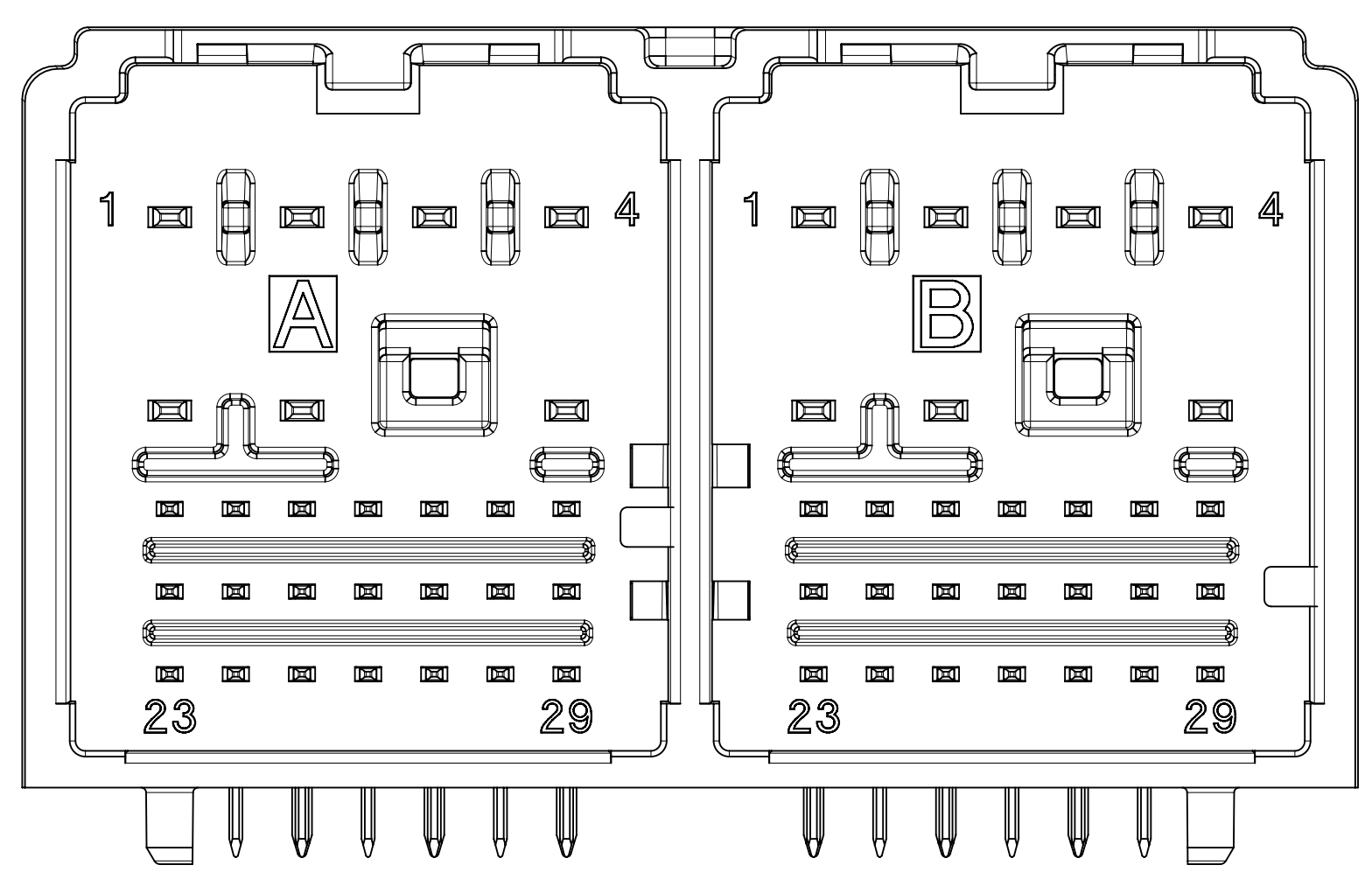
160013X641
1600133741
1600133841
1600134141
1600134641



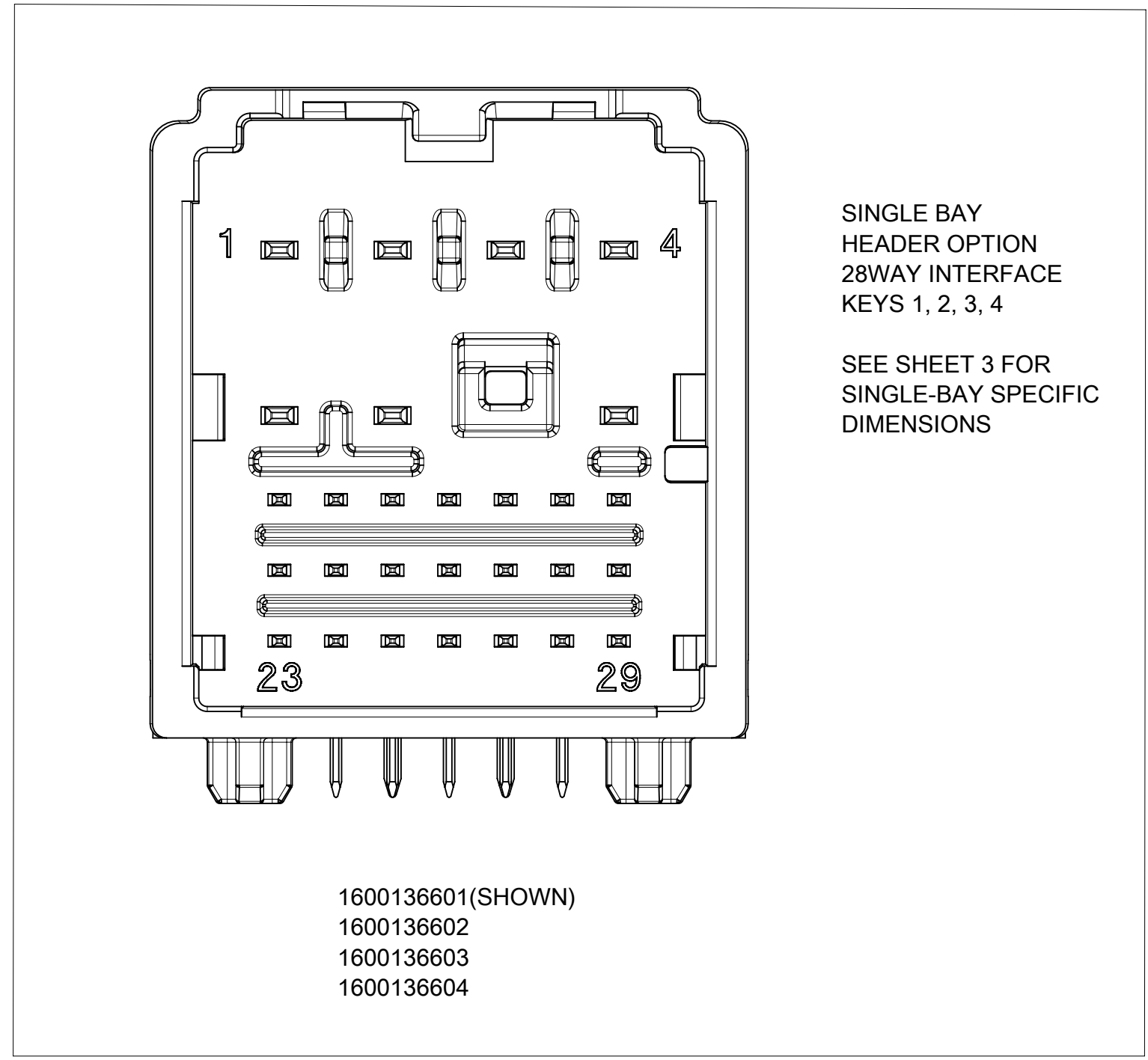
1600131624 (DEPOPULATED AS SHOWN)
1600133624 (USES FULL POPULATION)
1600133724 (USES FULL POPULATION)
1600133824 (USES FULL POPULATION)

DEPOPULATED
CIRCUITS #5,6,8 & #16-22

DEPOPULATED
CIRCUITS #9-22



160013X623

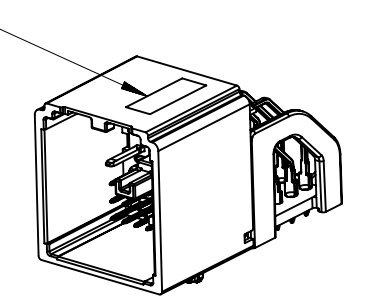


1600136601 (SHOWN)
1600136602
1600136603
1600136604

NOTES: VALID UNLESS OTHERWISE SPECIFIED

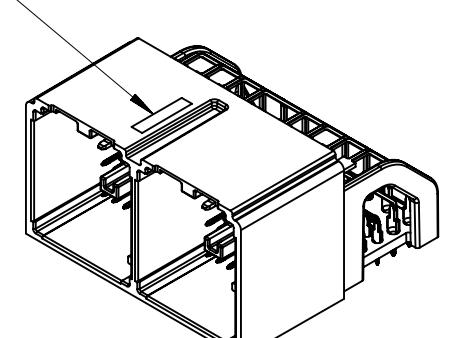
1. GENERAL:
 - a. APPLICATION SPECIFICATION SEE: AS-160013-001
 - b. PRODUCT SPECIFICATION SEE: PS-160013-001
 - c. PACKAGING SPECIFICATION PER BOM TABLE SHEET 4
2. DESIGN - MATERIALS:
 - a. SEE BOM TABLE
 - b. BLADE TERMINALS:
 1. 0.5mm Blades
Base Material: Copper Alloy
Conductivity $\geq 28\%$ IACS @ 20°C
UNDERPLATING (OVERALL):
0.5 - 2.0 μm ELECTRO-DEPOSITED DUCTILE NICKEL SULFAMATE
OVERPLATING (OVERALL):
0.76 - 1.5 μm ELECTRO-DEPOSITED TIN (REFLOWED)
 2. 1.2mm Blades
Base Material: Copper Alloy
Conductivity $\geq 28\%$ IACS @ 20°C
UNDERPLATING (OVERALL):
1.25 - 2.25 μm ELECTRO-DEPOSITED DUCTILE NICKEL SULFAMATE
TOP PLATING:
ZONE A (CONNECTOR END):
0.76 - 1.5 μm ELECTRO-DEPOSITED TIN REFLOWED
ZONE B (PCB END):
2.5 - 4.0 μm ELECTRO-DEPOSITED MATTE TIN (NO BRIGHTENERS)
3. DESIGN - GEOMETRY:
 - a. ALL GRAPHIC DATA IS BASIC (NO TOLERANCE) AND MUST BE TAKEN FROM THE DATA FILE AT ITS LATEST REVISION.
 - b. PRODUCT DESIGN MODEL NUMBER(S): SEE BOM TABLE
 - c. GEOMETRIC DIMENSIONS AND TOLERANCES PER ASME Y14.5-2009
 - d. EDGES AND UNDIMENSIONED DETAILS PER ISO13715
 - e. CORNERS SHOWN AS SHARP TO BE R 0.2 MAX.
 - f. LETTERING SHALL BE MAX POSSIBLE FOR READABILITY.
THIS INCLUDES RECYCLING CODE, CAVITY ID, VENDOR IDENTIFICATION
 - g. FOR BAY/POCKET DEFINITION SEE MOLEX INTERFACE DRAWING SD-160014-002, FOR ANY CONFLICTING DIMENSIONS OR TOLERANCES, SD-160013-0001 IS THE OVERRIDING DOCUMENT.
 - h. MATING HARNESS CONNECTORS MOLEX PN: 1600140001 (Key 1)
1600140002 (Key 2)
1600140003 (Key 3)
1600140004 (Key 4)
4. DESIGN - MANUFACTURING:
 - a. VISUAL DEFECTS SHALL MEET COSMETIC STANDARD PS-45499-002 (Class B)
 - b. HUMAN READABLE LASER MARKING
 1. INFORMATION
DDDD: JULIAN DATE CODE
XXXXX: 5 DIGIT SERIAL NO.
 2. SIZE
HUMAN LEGIBLE
 - c. PIN MATE SIDE AND PCB SIDE TRUE POSITION TO BE VERIFIED ON-LINE WITH A GO/NO-GO FUNCTIONAL GAGE
 - d. REFLOW SOLDERABILITY PER SMES-152

SEE NOTE 4.B.



Gen1
SCALE 1:1

SEE NOTE 4.B.

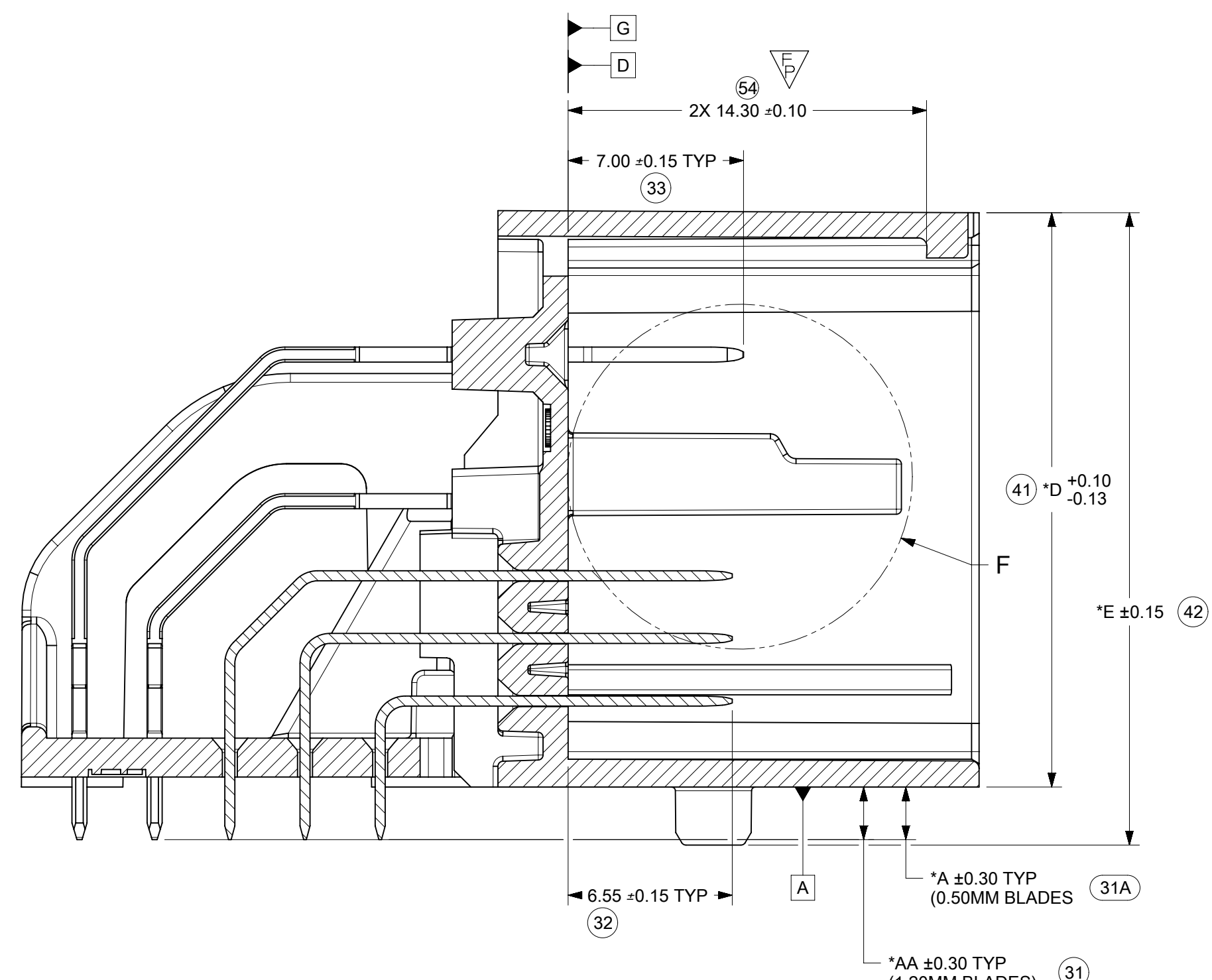


Iso1
SCALE 1:1

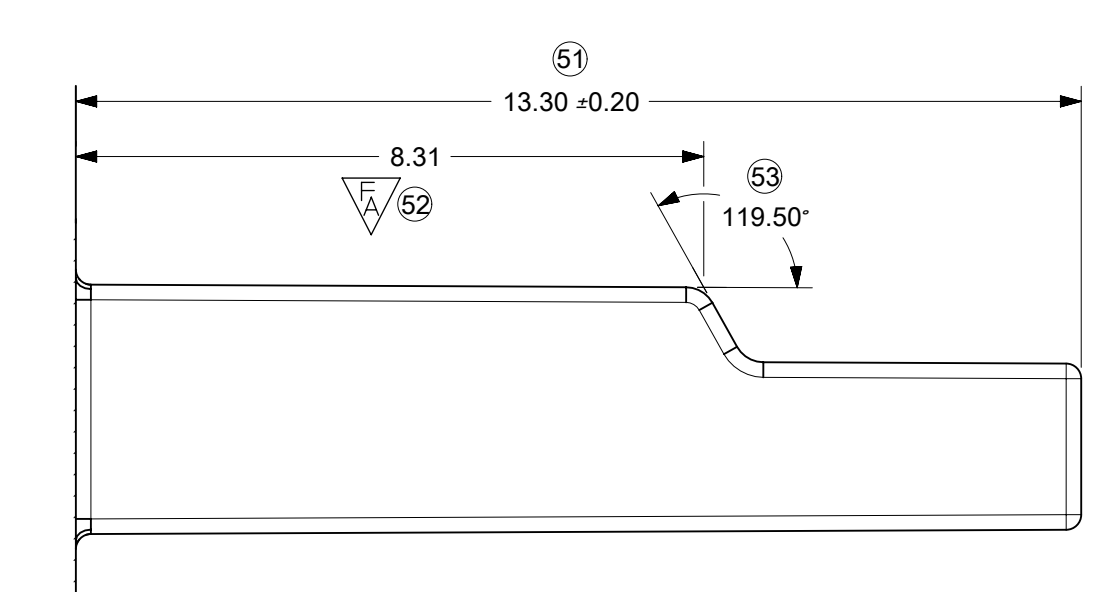
A18	PRODUCTION RELEASE OF V0 HEADER ASSEMBLIES ECN#: 648090 J. PATE 10/23/2020
A17	- ADDED V0 HEADER ASSEMBLIES - REMOVED OBSOLETE BOMS ENGINEERING RECORD: 636592 JPATE 04/05/2020

SYMBOLS	THIS DRAWING CONTAINS INFORMATION THAT IS PROPRIETARY TO MOLEX ELECTRONIC TECHNOLOGIES, LLC AND SHOULD NOT BE USED WITHOUT WRITTEN PERMISSION		CURRENT REV DESC: PRODUCTION RELEASE OF V0 HEADER ASSEMBLIES		
	DIMENSION UNITS	SCALE			
$\nabla = 0$	mm	5:1			INFOTAINMENT HDR ASSY STAK50H SYSTEM PRODUCT CUSTOMER DRAWING
$\nabla = 0$	GENERAL TOLERANCES (UNLESS SPECIFIED)				
$\nabla = 0$	ANGULAR TOL	$\pm 3.0^\circ$			DOCUMENT NUMBER SD-160013-0001
$\nabla = 0$	4 PLACES	\pm			
$\nabla = 0$	3 PLACES	\pm			DOC TYPE PSD
$\nabla = 0$	2 PLACES	± 0.13			
$\nabla = 0$	1 PLACE	± 0.25			DOC PART 001
$\nabla = 0$	0 PLACES	\pm			
$\square = 0$	DRAFT WHERE APPLICABLE MUST REMAIN WITHIN DIMENSIONS	THIRD ANGLE PROJECTION	DRAWING	SERIES	REVISION A18
$\nabla = 0$			D-SIZE	160013	
			MATERIAL NUMBER	CUSTOMER	SHEET NUMBER
			SEE CHART	GENERAL MARKET	1 OF 4

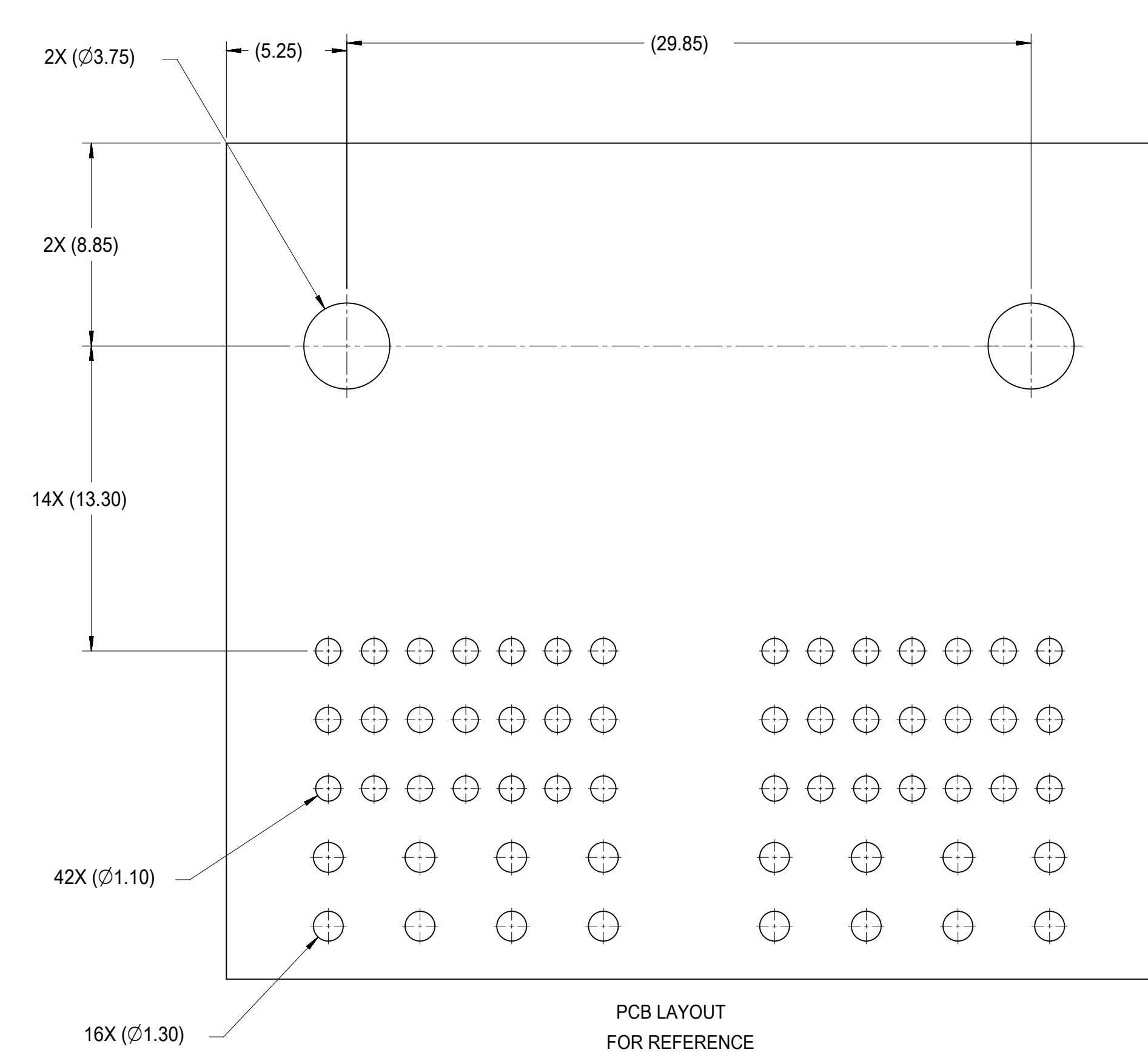
DOCUMENT STATUS	P1	RELEASE DATE	2020/11/05	02:31:17
-----------------	----	--------------	------------	----------



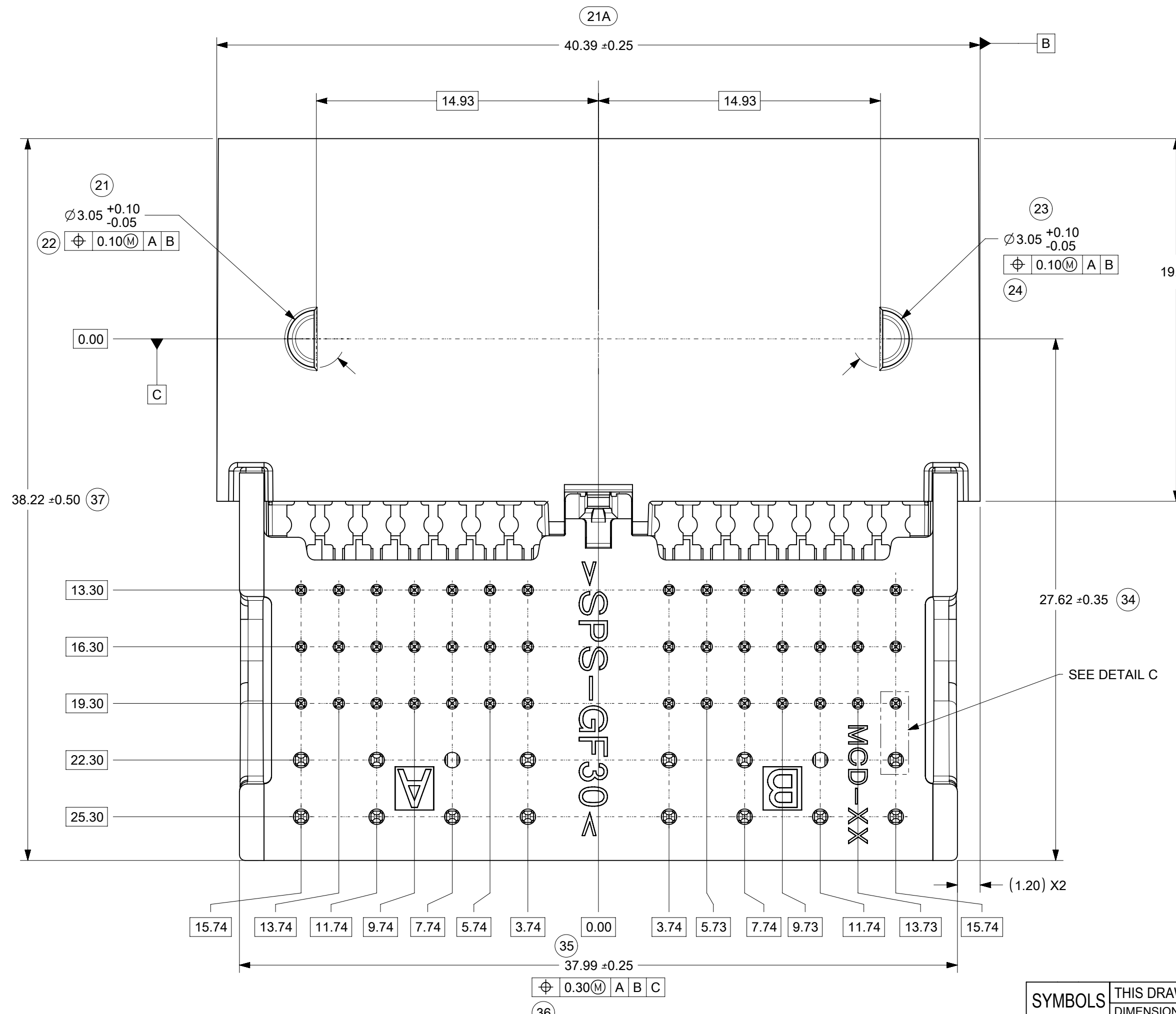
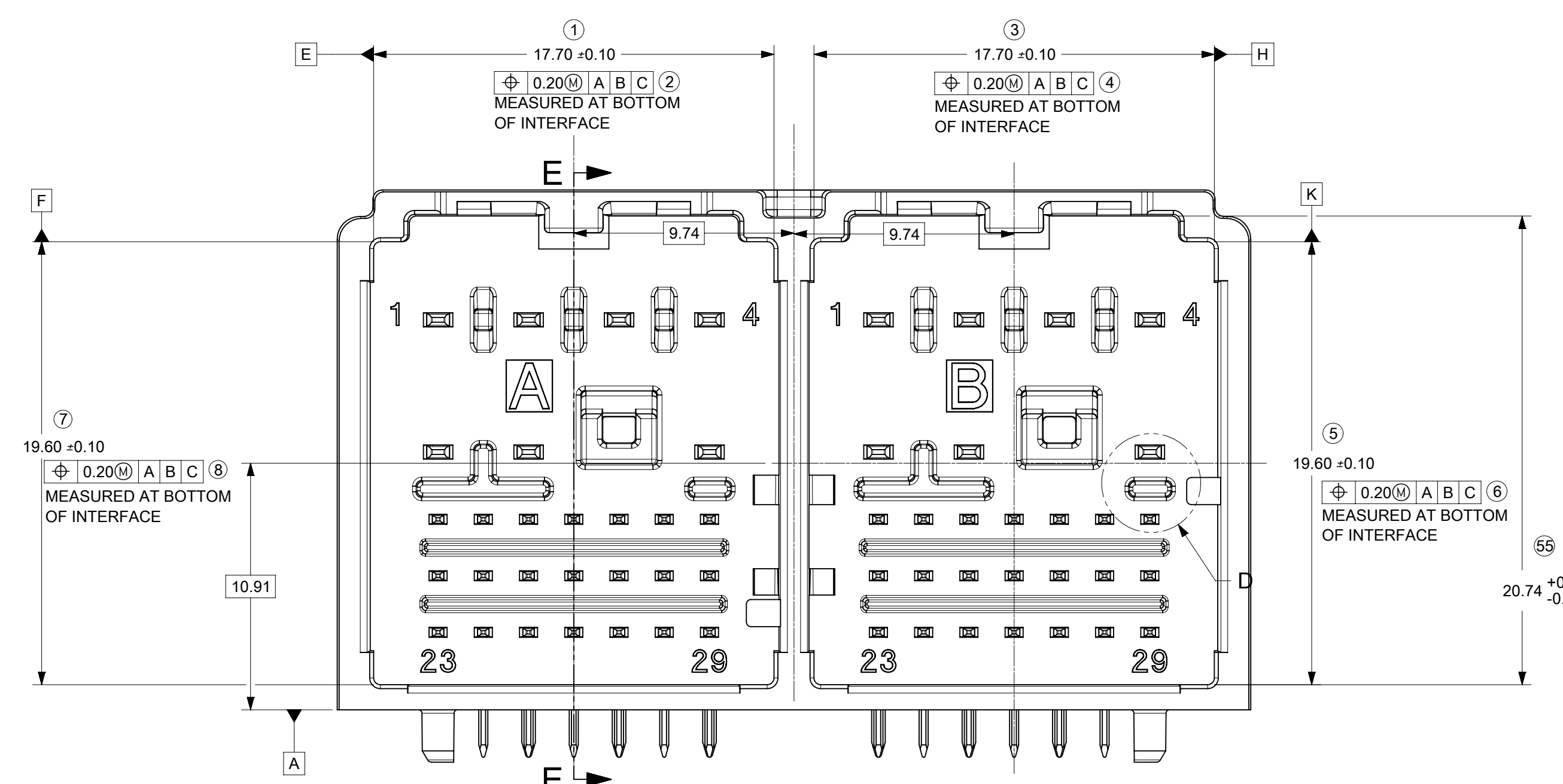
SECTION E-E



DETAIL F
SCALE 10:1



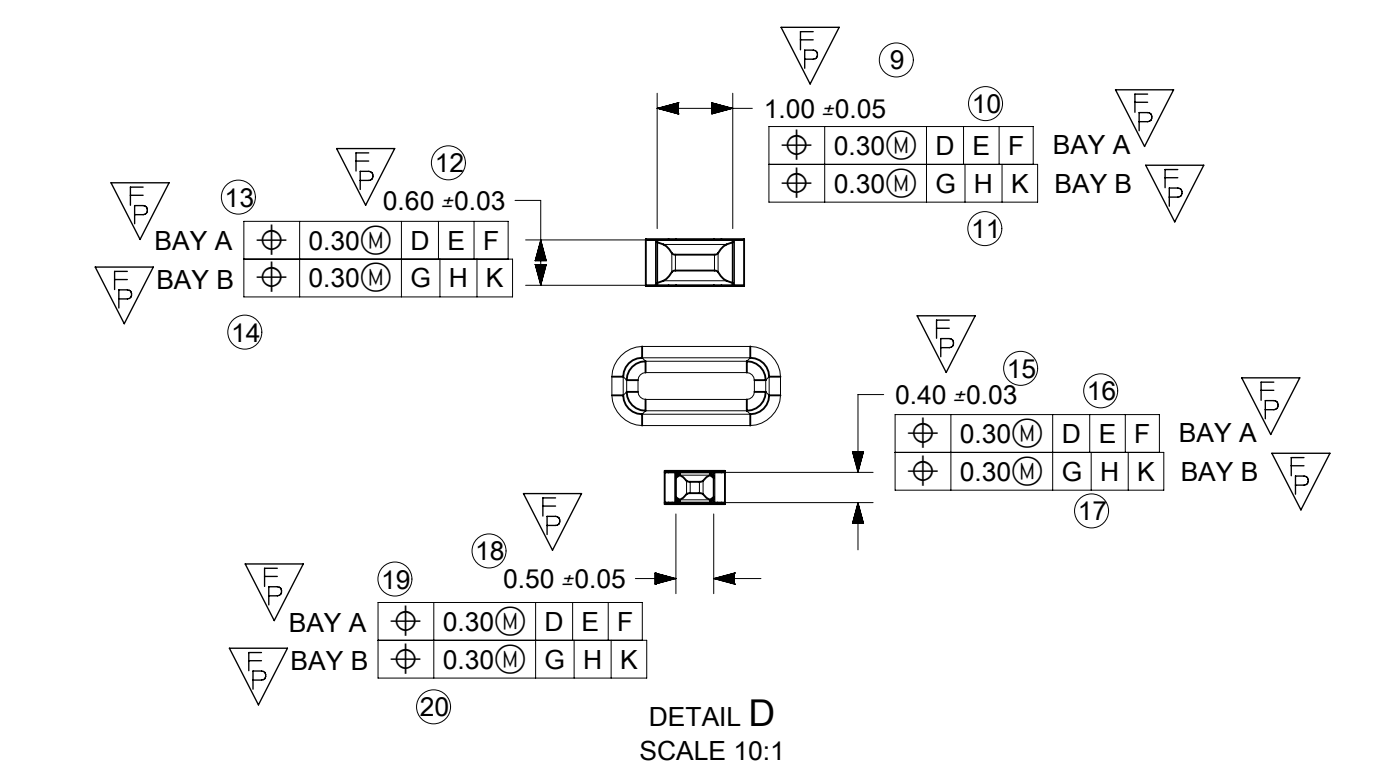
PCB LAYOUT
FOR REFERENCE



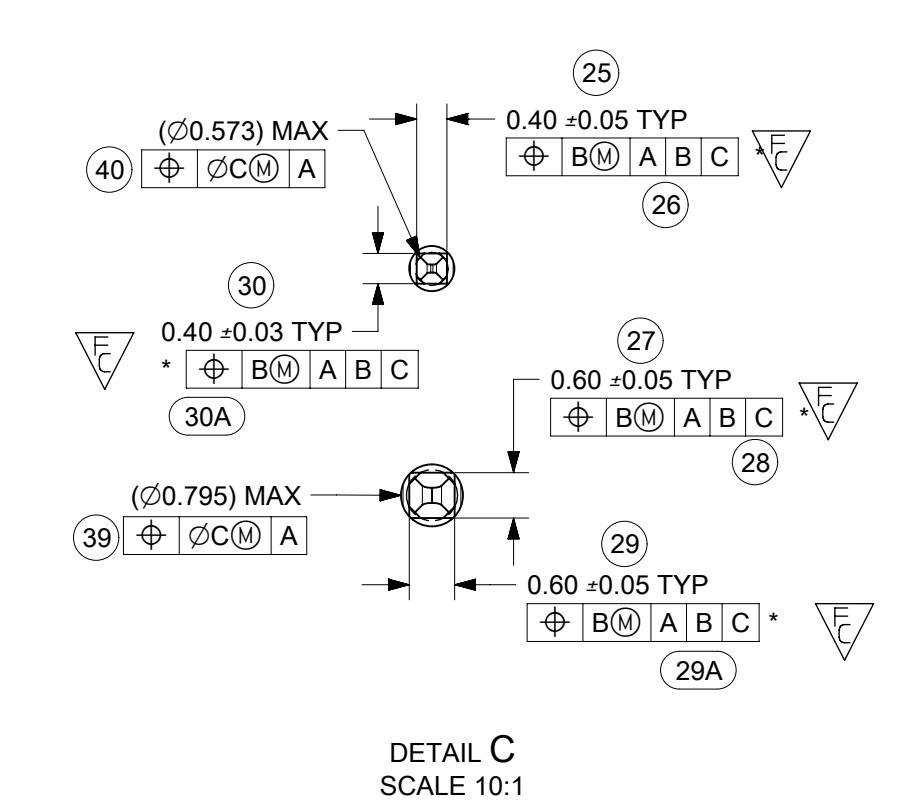
SYMBOLS		THIS DRAWING CONTAINS INFORMATION THAT IS PROPRIETARY TO MOLEX ELECTRONIC TECHNOLOGIES, LLC AND SHOULD NOT BE USED WITHOUT WRITTEN PERMISSION	
DIMENSION UNITS	SCALE	CURRENT REV DESC: PRODUCTION RELEASE OF V0 HEADER ASSEMBLIES	
∇ = 0	mm	5:1	
∇ = 4	GENERAL TOLERANCES (UNLESS SPECIFIED)		
∇ = 0	ANGULAR TOL	± 3.0°	
∇ = 0	4 PLACES	±	
∇ = 0	3 PLACES	±	
∇ = 0	2 PLACES	± 0.13	
∇ = 0	1 PLACE	± 0.25	
∇ = 0	0 PLACES	±	
■ = 0	DRAFT WHERE APPLICABLE MUST REMAIN WITHIN DIMENSIONS		
∇ = 0	THIRD ANGLE PROJECTION	DRAWING	SERIES
		D-SIZE	160013

HEADER ASSEMBLY OPTIONS						
PART NUMBER	DIM A*	DIM AA*	DIM B*	DIM C*	DIM *D	DIM *E
1600130641	2.1	2.1	0.40	0.37	22.92	25.23
1600132641	2.1	2.1	0.40	0.37	22.92	25.23
1600130623	2.1	2.1	0.40	0.37	22.92	25.23
1600132623	2.1	2.1	0.40	0.37	22.92	25.23
1600131624	2.5	2.5	0.53	0.50	22.92	25.23
1600133641	2.5	2.5	0.53	0.50	22.92	25.23
1600133623	2.5	2.5	0.53	0.50	22.92	25.23
160013660X	2.5	2.5	0.53	0.50	22.92	25.23
1600134623	2.5	3.0	0.68	0.65	22.92	25.23
1600134141	2.5	3.0	0.68	0.65	22.92	25.23
1600134641	2.5	3.0	0.68	0.65	22.92	25.23
1600133624	2.5	2.5	0.53	0.50	22.92	25.23
1600133724	2.5	2.5	0.53	0.50	23.23	25.54
1600133741	2.5	2.5	0.53	0.50	22.92	25.23
1600133823	2.5	2.5	0.53	0.50	23.23	25.54
1600133824	2.5	2.5	0.53	0.50	23.23	25.54
1600133841	2.5	2.5	0.53	0.50	23.23	25.54

*X"=1 / 2 / 3 / 4;



DETAIL D
SCALE 10:1



DETAIL C
SCALE 10:1

DOCUMENT STATUS	P1	RELEASE DATE	2020/11/05 02:31:17
-----------------	----	--------------	---------------------

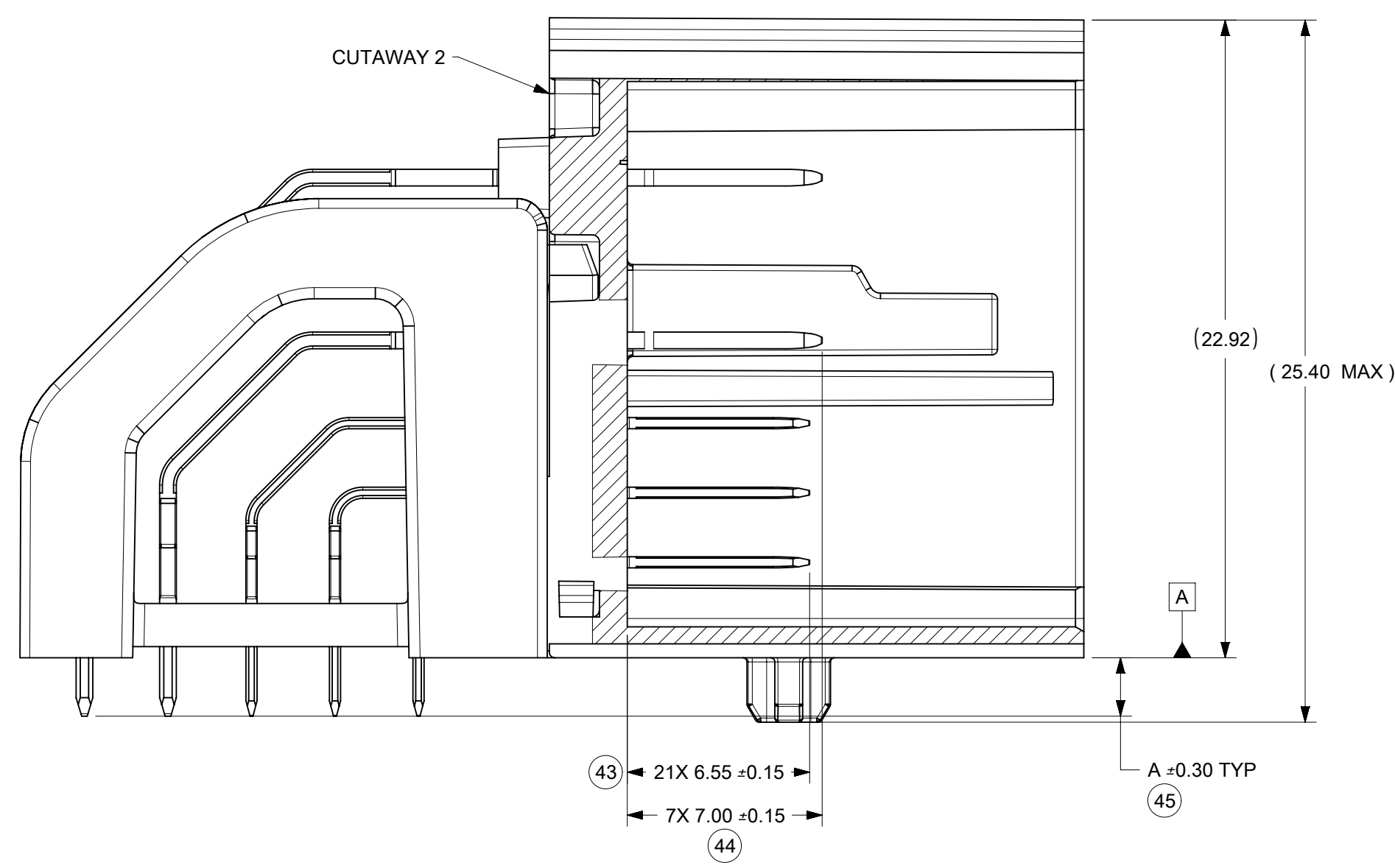
molex

INFOTAINMENT HDR ASSY
STAK50H SYSTEM

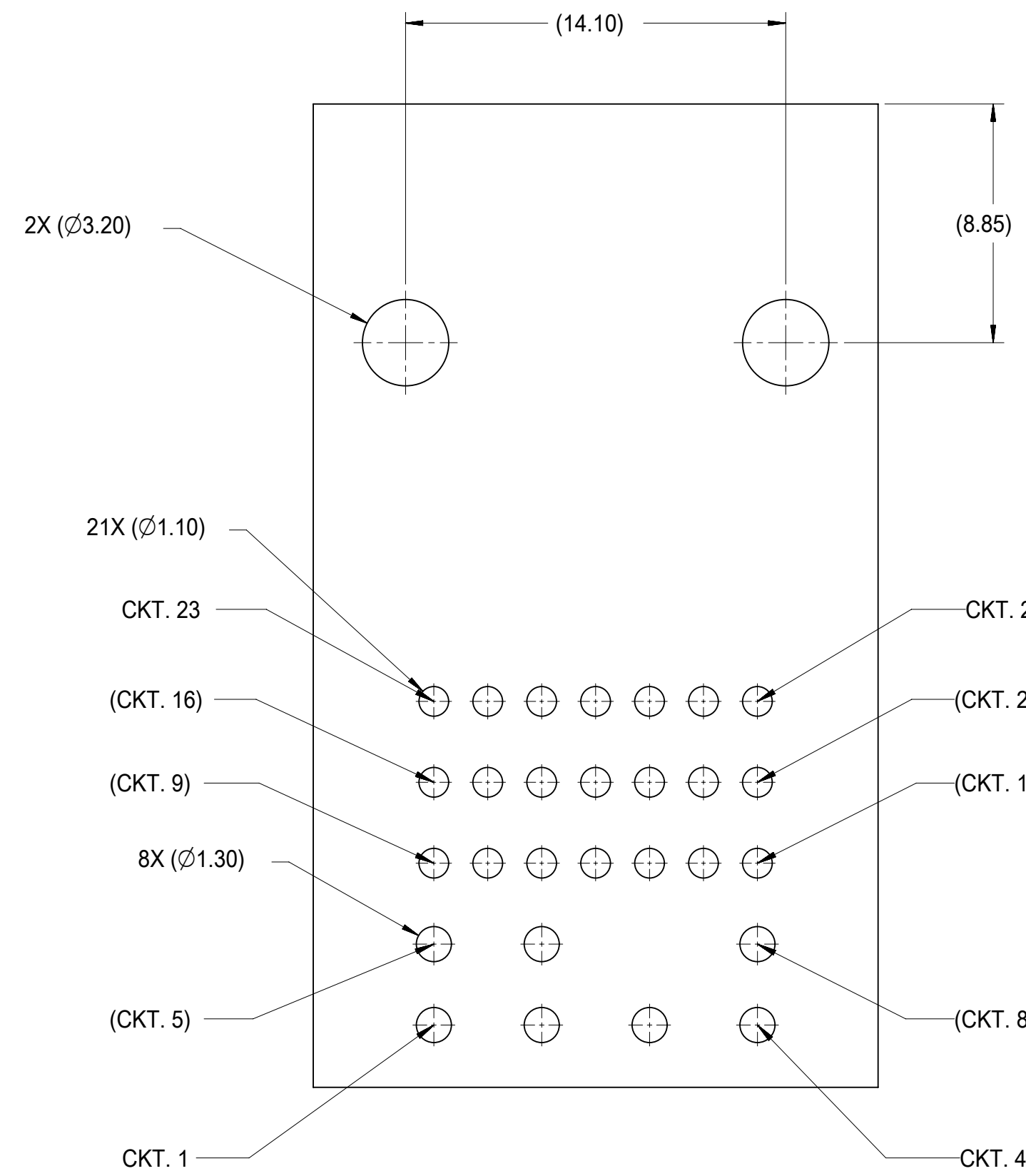
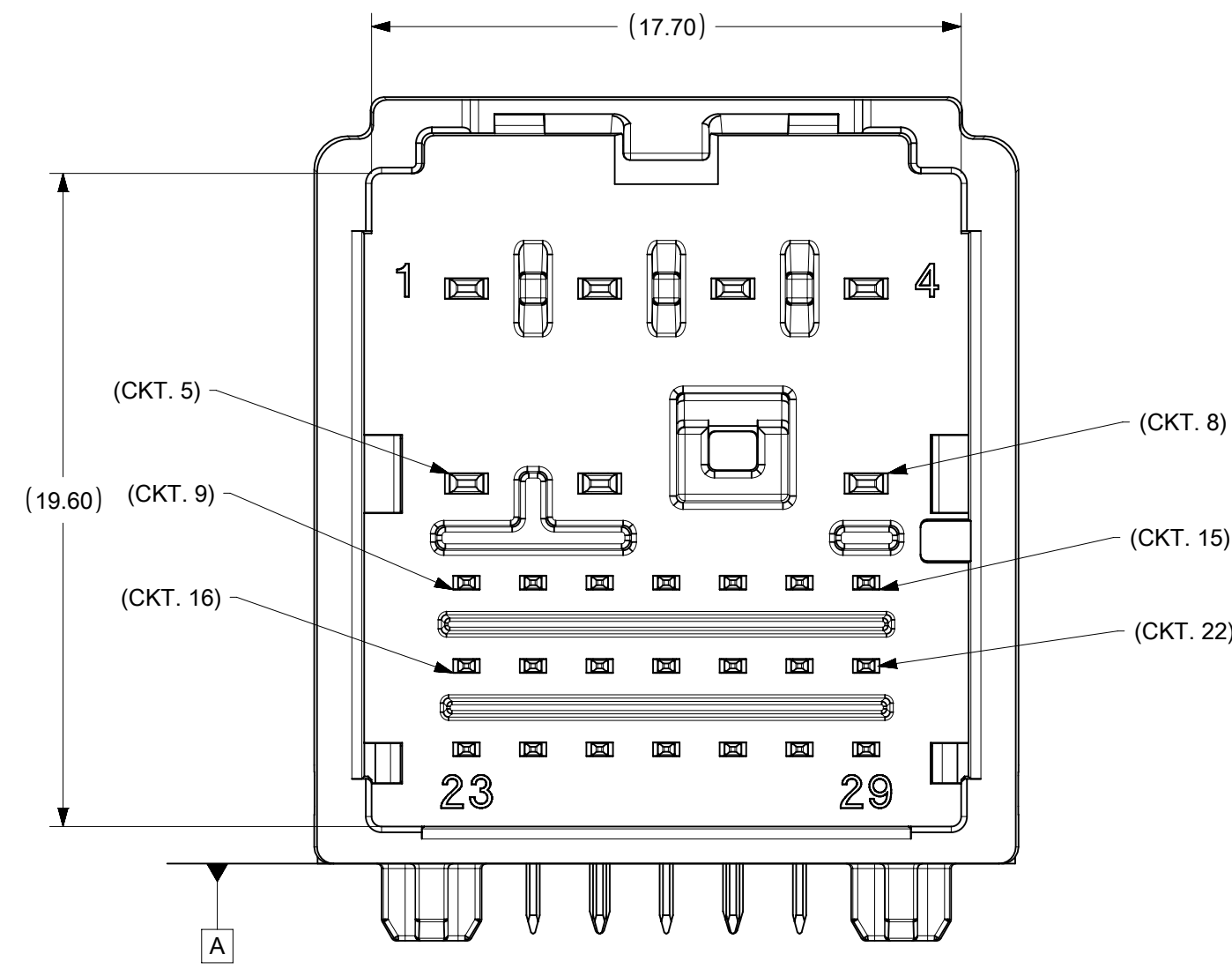
PRODUCT CUSTOMER DRAWING

DOCUMENT NUMBER	DOC TYPE	DOC PART	REVISION
SD-160013-0001	PSD	001	A18

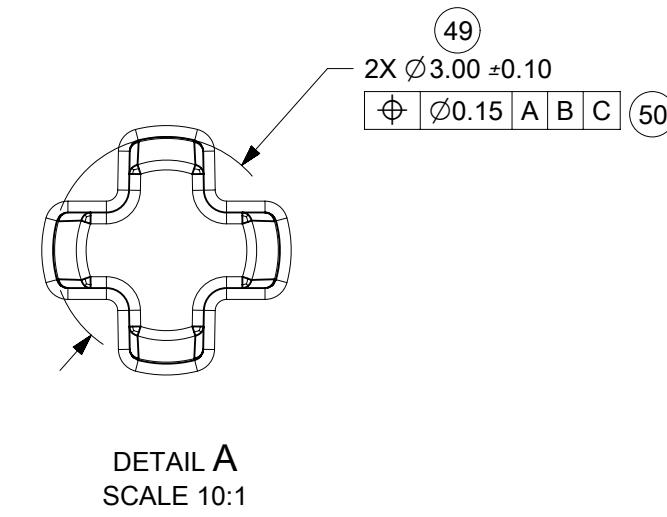
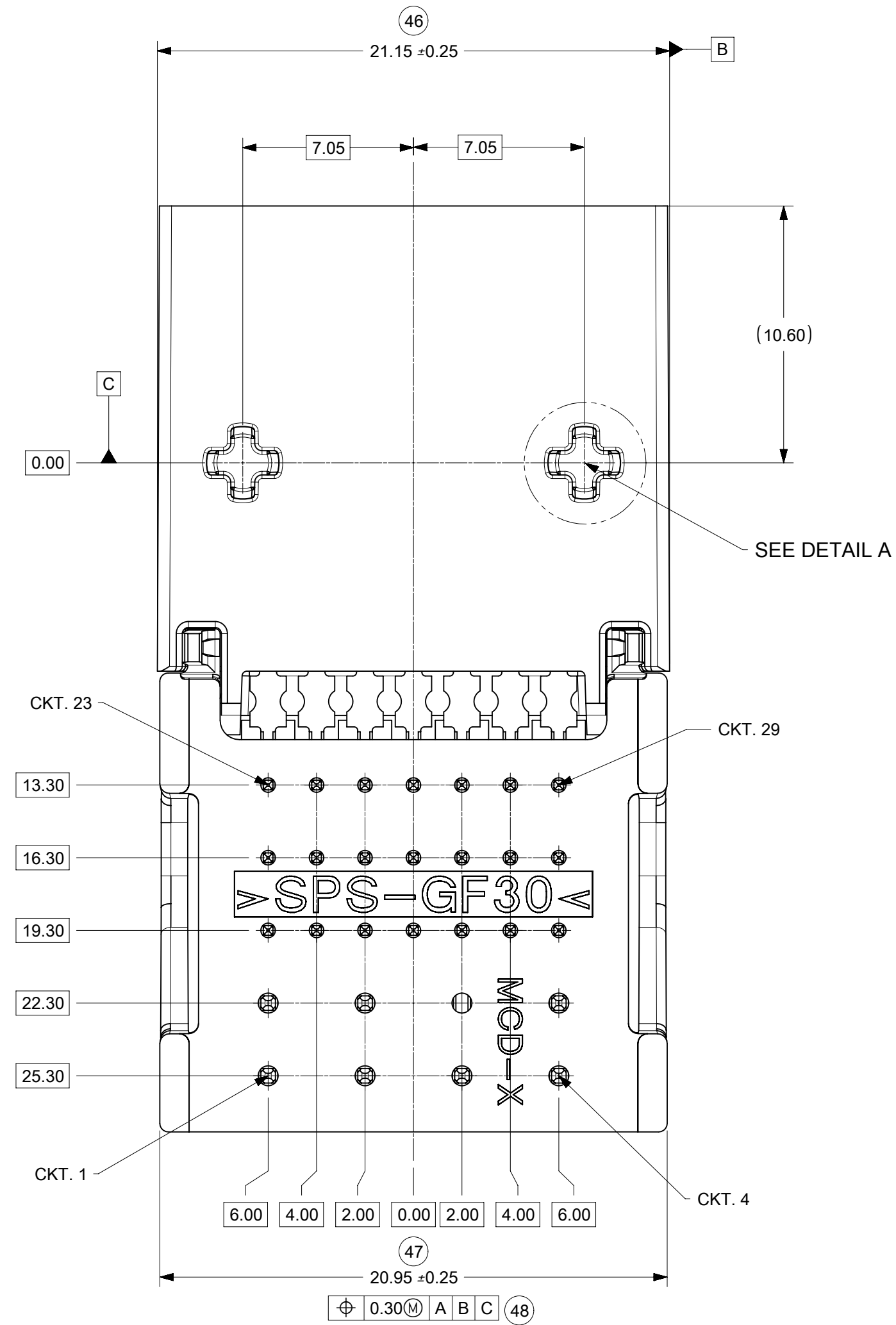
MATERIAL NUMBER	CUSTOMER	SHEET NUMBER
SEE CHART	GENERAL MARKET	2 OF 4



28WAY HEADER ONLY

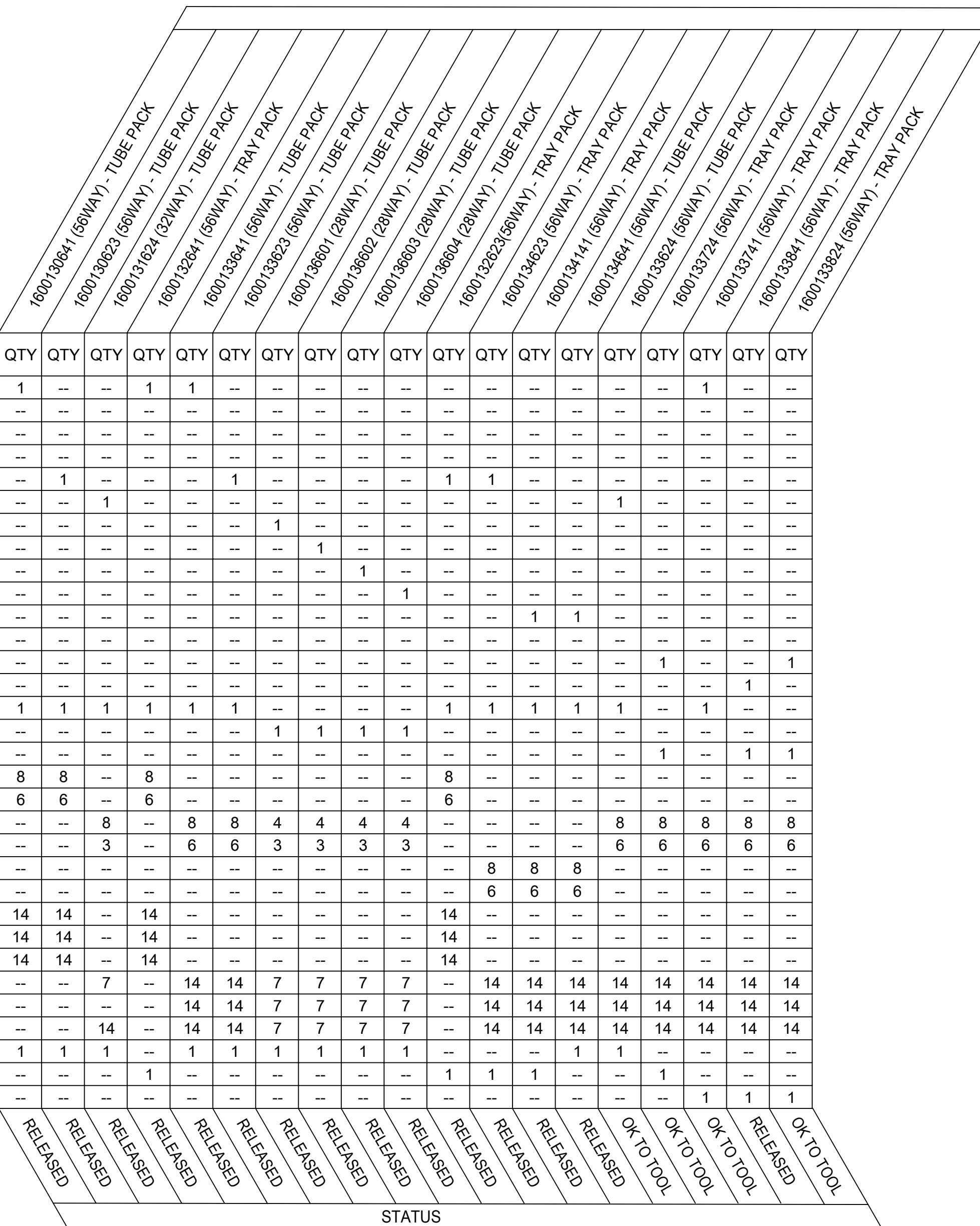


PCB LAYOUT FOR REFERENCE ONLY



SYMBOLS	THIS DRAWING CONTAINS INFORMATION THAT IS PROPRIETARY TO MOLEX ELECTRONIC TECHNOLOGIES, LLC AND SHOULD NOT BE USED WITHOUT WRITTEN PERMISSION		
	DIMENSION UNITS	SCALE	CURRENT REV DESC: PRODUCTION RELEASE OF V0 HEADER ASSEMBLIES
▽ = 0	mm	5:1	<p>molex</p> <p>INFOTAINMENT HDR ASSY STAK50H SYSTEM</p> <p>PRODUCT CUSTOMER DRAWING</p> <p>DOCUMENT NUMBER: SD-160013-0001 DOC TYPE: PSD DOC PART: 001 REVISION: A18</p> <p>MATERIAL NUMBER: SEE CHART CUSTOMER: GENERAL MARKET SHEET NUMBER: 3 OF 4</p>
▽ = 0	GENERAL TOLERANCES (UNLESS SPECIFIED)		
▽ = 0	ANGULAR TOL ± 3.0°		
▽ = 0	4 PLACES ±		
▽ = 0	3 PLACES ±		
▽ = 0	2 PLACES ± 0.13		
▽ = 0	1 PLACE ± 0.25		
▽ = 0	0 PLACES ±		
▽ = 0	DRAFT WHERE APPLICABLE MUST REMAIN WITHIN DIMENSIONS	THIRD ANGLE PROJECTION	<p>EC NO: 648090</p> <p>DRWN: JPATE01 2020/10/01</p> <p>CHK'D: DLANGOLF 2020/10/28</p> <p>APPR: JCONDON 2020/11/05</p> <p>INITIAL REVISION:</p> <p>DRWN: JCONDON 2013/12/11</p> <p>APPR: KDEKOSKI 2014/06/26</p>
▽ = 0	D-DRAWING	SERIES	<p>D-D-SIZE 160013</p>

COMPONENT TYPE	ITEM NO.	PART NUMBER	DESCRIPTION	MATERIAL	COLOR	FLAMABILITY RATING	DRAWING	QTY	QTY	QTY	QTY	QTY	QTY	QTY	QTY	QTY	QTY	QTY	QTY	QTY	QTY	QTY	QTY	QTY	QTY	QTY	QTY	QTY		
HEADER	1	1600136500	HEADER SHROUD KEY 4 & 1 (2 BAY)	SPS-GF30	GRAY	HB	E-160013-0500	1	--	--	1	1	--	--	--	--	--	--	--	--	--	--	1	--	--					
	2	1600136542	HEADER SHROUD KEY 4 & 2 (2 BAY)	SPS-GF30	GRAY	HB	E-160013-0500	--	--	--	--	--	--	--	--	--	--	--	--	--	--	--	--	--	--	--				
	3	1600136543	HEADER SHROUD KEY 4 & 3 (2 BAY)	SPS-GF30	GRAY	HB	E-160013-0500	--	--	--	--	--	--	--	--	--	--	--	--	--	--	--	--	--	--					
	4	1600136521	HEADER SHROUD KEY 2 & 1 (2 BAY)	SPS-GF30	GRAY	HB	E-160013-0500	--	--	--	--	--	--	--	--	--	--	--	--	--	--	--	--	--	--					
	5	1600136523	HEADER SHROUD KEY 2 & 3 (2 BAY)	SPS-GF30	GRAY	HB	E-160013-0500	--	1	--	--	--	1	--	--	--	--	1	1	--	--	--	--	--	--					
	6	1600136524	HEADER SHROUD KEY 2 & 4 (2 BAY)	SPS-GF30	GRAY	HB	E-160013-0500	--	--	1	--	--	--	--	--	--	--	--	--	1	--	--	--	--	--					
	7	1600136551	HEADER SHROUD KEY 1 (1 BAY)	SPS-GF30	GRAY	HB	E-160013-0500	--	--	--	--	--	1	--	--	--	--	--	--	--	--	--	--	--						
	8	1600136552	HEADER SHROUD KEY 2 (1 BAY)	SPS-GF30	GRAY	HB	E-160013-0500	--	--	--	--	--	1	--	--	--	--	--	--	--	--	--	--	--						
	9	1600136553	HEADER SHROUD KEY 3 (1 BAY)	SPS-GF30	GRAY	HB	E-160013-0500	--	--	--	--	--	--	1	--	--	--	--	--	--	--	--	--	--						
	10	1600136554	HEADER SHROUD KEY 4 (1 BAY)	SPS-GF30	GRAY	HB	E-160013-0500	--	--	--	--	--	--	--	1	--	--	--	--	--	--	--	--	--						
	11	1600132541	HEADER SHROUD KEY 4 & 1 (2 BAY)	SPS-GF30	BLACK	HB	E-160013-0500	--	--	--	--	--	--	--	--	--	1	1	--	--	--	--	--	--						
	12	1600136723	HEADER SHROUD KEY 2 & 3 (2 BAY)	PA9T-GF30	BLACK	V0	1600136741(PDD)	--	--	--	--	--	--	--	--	--	--	--	--	--	--	--	--	--						
	13	1600136724	HEADER SHROUD KEY 2 & 4 (2 BAY)	PA9T-GF30	BLACK	V0	1600136741(PDD)	--	--	--	--	--	--	--	--	--	--	--	--	1	--	--	--	1						
	14	1600136741	HEADER SHROUD KEY 4 & 1 (2 BAY)	PA9T-GF30	BLACK	V0	1600136741(PDD)	--	--	--	--	--	--	--	--	--	--	--	--	1	--	--	--	1						
PIN ALIGNMENT PLATE	15	1600130700	PIN ALIGNMENT PLATE (2 BAY)	SPS-GF30	GRAY	HB	E-160013-0700	1	1	1	1	1	1	--	--	--	1	1	1	1	1	1	--	1	--					
	16	1600130710	PIN ALIGNMENT PLATE (1 BAY)	SPS-GF30	GRAY	HB	E-160013-0710	--	--	--	--	--	1	1	1	1	--	--	--	--	--	--	--	--						
PLATED 1.2MM BLADE TERMINAL	17	1600130720	PIN ALIGNMENT PLATE (2 BAY)	PA9T-GF30	BLACK	V0	1600130720(PDD)	--	--	--	--	--	--	--	--	--	--	--	1	--	--	--	1							
	18	1600130111	1.2MM BLADE - LONG	PLATED BRASS	N/A	N/A	E-160013-0100	8	8	--	8	--	--	--	--	--	--	8	--	--	--	--	--	--						
	19	1600130112	1.2MM BLADE - SHORT	PLATED BRASS	N/A	N/A	E-160013-0100	6	6	--	6	--	--	--	--	--	--	6	--	--	--	--	--	--						
	20	1600130114	1.2MM BLADE - LONG OPTION 2	PLATED BRASS	N/A	N/A	E-160013-0100	--	--	8	--	8	8	4	4	4	4	--	--	8	8	8	8	8						
	21	1600130113	1.2MM BLADE - SHORT OPTION 2	PLATED BRASS	N/A	N/A	E-160013-0100	--	--	3	--	6	6	3	3	3	3	--	--	6	6	6	6	6						
	22	1600130116	1.2MM BLADE - LONG OPTION 3	PLATED BRASS	N/A	N/A	E-160013-0100	--	--	--	--	--	--	--	--	--	--	--	8	8	8	--	--	--	--					
	23	1600130115	1.2MM BLADE - SHORT OPTION 3	PLATED BRASS	N/A	N/A	E-160013-0100	--	--	--	--	--	--	--	--	--	--	6	6	6	--	--	--	--						
PLATED 0.5MM BLADE TERMINAL	24	1600130211	0.5MM BLADE - LONG	PLATED BRASS	N/A	N/A	E-160013-0200	14	14	--	14	--	--	--	--	--	14	--	--	--	--	--	--							
	25	1600130212	0.5MM BLADE - MEDIUM	PLATED BRASS	N/A	N/A	E-160013-0200	14	14	--	14	--	--	--	--	--	14	--	--	--	--	--	--							
	26	1600130213	0.5MM BLADE - SHORT	PLATED BRASS	N/A	N/A	E-160013-0200	14	14	--	14	--	--	--	--	--	14	--	--	--	--	--	--							
	27	1600130214	0.5MM BLADE - LONG OPTION 2	PLATED BRASS	N/A	N/A	E-160013-0200	--	--	7	--	14	14	7	7	7	7	--	14	14	14	14	14	14						
28	1600130215	0.5MM BLADE - MEDIUM OPTION 2	PLATED BRASS	N/A	N/A	E-160013-0200	--	--	--	14	14	7	7	7	7	--	14	14	14	14	14	14	14							
29	1600130216	0.5MM BLADE - SHORT OPTION 2	PLATED BRASS	N/A	N/A	E-160013-0200	--	--	14	--	14	14	7	7	7	7	--	14	14	14	14	14	14							
PACKAGING	30	N/A	TUBE PACK	N/A	N/A	N/A	PK-31302-235	1	1	1	--	1	1	1	1	1	1	--	1	1	--	--	--							
	31	N/A	TRAY PACK (STANDARD)	N/A	N/A	N/A	1600139001	--	--	--	1	--	--	--	--	--	--	1	1	--	--	--	1	--						
	32	N/A	TRAY PACK (BOSCH)	N/A	N/A	N/A	1600133841-PK	--	--	--	--	--	--	--	--	--	--	--	--	--	--	--	1	1	1					



SYMBOLS		THIS DRAWING CONTAINS INFORMATION THAT IS PROPRIETARY TO MOLEX ELECTRONIC TECHNOLOGIES, LLC AND SHOULD NOT BE USED WITHOUT WRITTEN PERMISSION			
$\nabla = 0$	DIMENSION UNITS	SCALE	CURRENT REV DESC: PRODUCTION RELEASE OF V0 HEADER ASSEMBLIES		
$\nabla = 0$	mm	1:1	molex		
$\nabla = 0$	GENERAL TOLERANCES (UNLESS SPECIFIED)				
$\nabla = 0$	ANGULAR TOL	$\pm 3.0^\circ$	PRODUCT CUSTOMER DRAWING		
$\nabla = 0$	4 PLACES	\pm	DOCUMENT NUMBER		
$\nabla = 0$	3 PLACES	\pm	DOC TYPE		
$\nabla = 0$	2 PLACES	± 0.13	DOC PART		
$\nabla = 0$	1 PLACE	± 0.25	REVISION		
$\nabla = 0$	0 PLACES	\pm	SD-160013-0001		
$\square = 0$	DRAFT WHERE APPLICABLE MUST REMAIN WITHIN DIMENSIONS		THIRD ANGLE PROJECTION	DRAWING	SERIES
$\nabla = 0$	D-DRAWING		D-SIZE	160013	MATERIAL NUMBER
		SEE CHART		CUSTOMER	SHEET NUMBER
		GENERAL MARKET		4 OF 4	