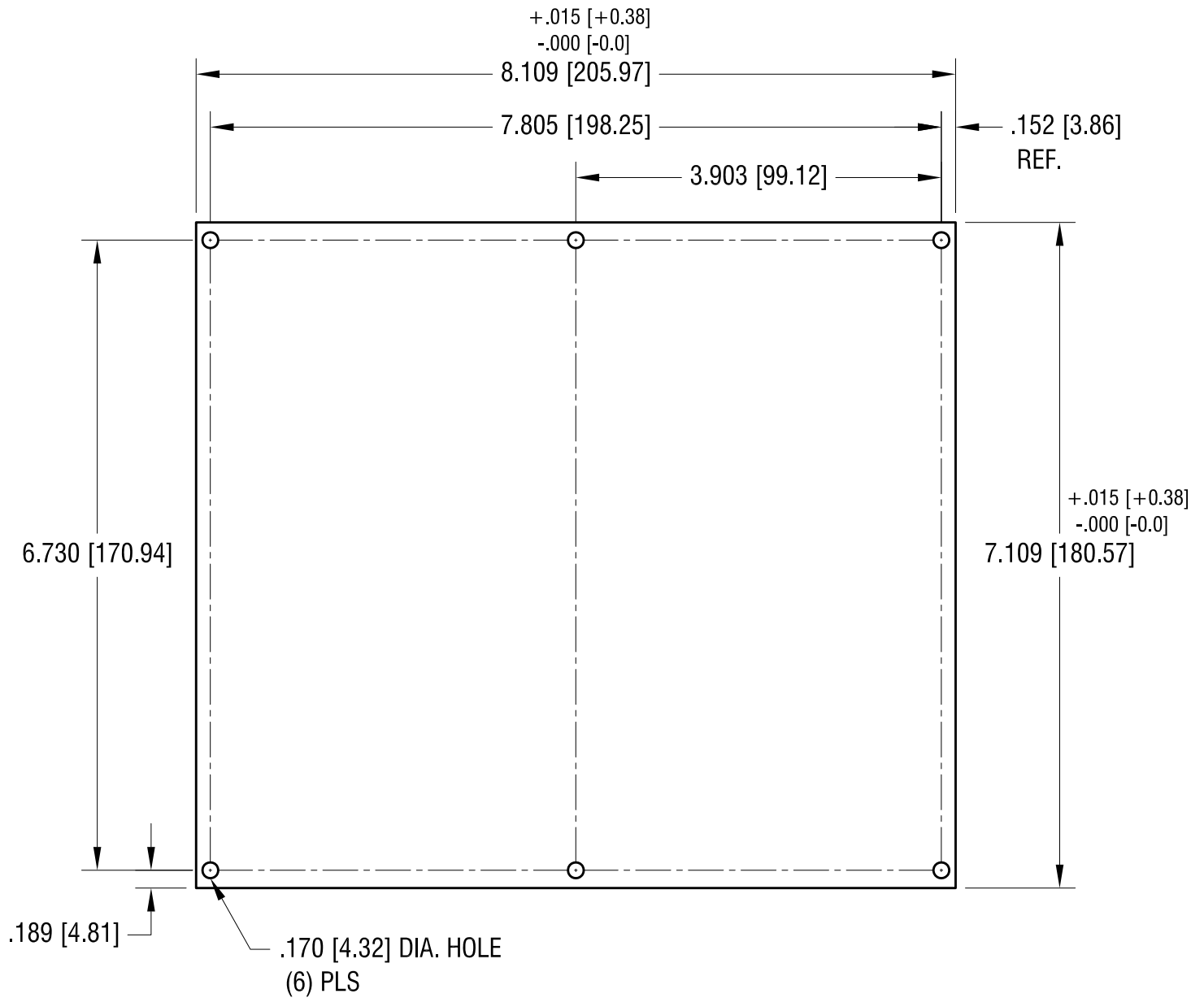


THIS DOCUMENT IS THE PROPERTY OF  
KEYSTONE ELECTRONICS CORP. AND  
SHALL NOT BE REPRODUCED, DISTRIBUTED  
OR USED AS A BASIS FOR MANUFACTURE  
WITHOUT PRIOR WRITTEN PERMISSION  
FROM KEYSTONE ELECTRONICS CORP.



8.11.97	CHANGE AS PER ECR 97-033	D
2.14.97	CHANGE AS PER ECR 97-007	C
12.10.96	CHANGE AS PER ECR 96-057	B
4.25.90	REVISED	A
DATE	DESCRIPTION	REV.

<b>KEYSTONE ELECTRONICS CORP.</b>			
www.keyelco.com • NEW HYDE PARK, NY 11040 • Tel (516) 328-7500			
PART NAME		PANEL	
MATERIAL			
.062 [1.57] TH'K ALUMINUM			
FINISH		DRN BY	DATE
NONE		BOONE	8.02.82
		APP'D	SCALE
		LN	.6X
TOLERANCES	INCH [MM]	CODE	DWG NO.
DECIMAL	± .005 [± 0.13]	C	<b>2048</b>
ANGULAR	± 1°		
UNLESS OTHERWISE SPECIFIED			