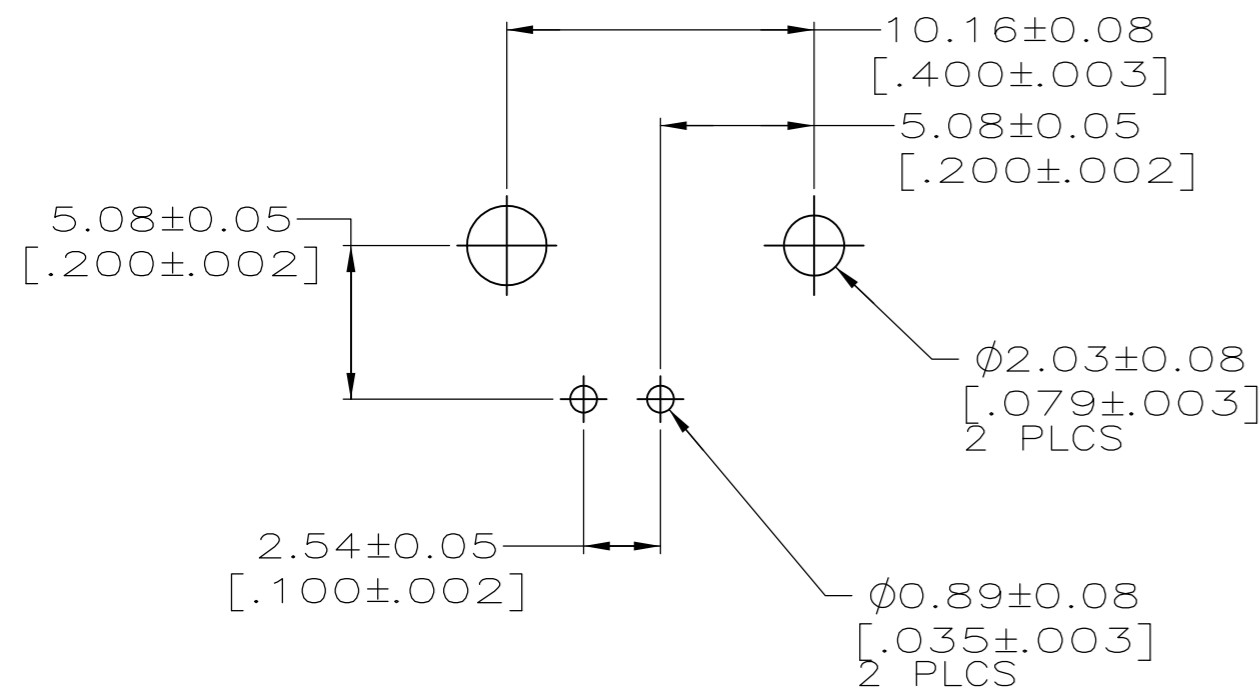
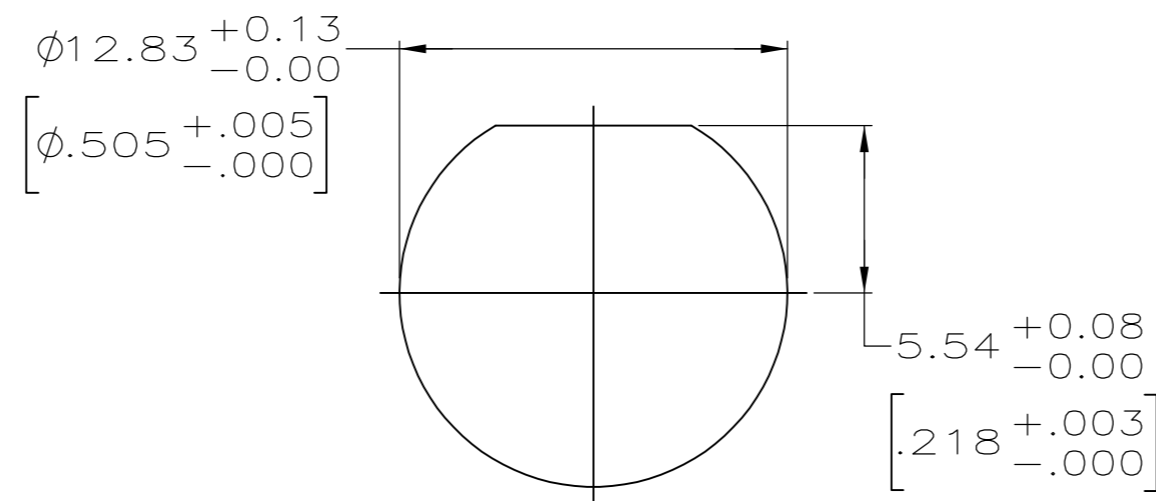


THIS DRAWING IS UNPUBLISHED. RELEASED FOR PUBLICATION
 © COPYRIGHT BY TYCO ELECTRONICS CORPORATION. ALL RIGHTS RESERVED.

LOC	DIST	REVISIONS			
P	LTR	DESCRIPTION	DATE	DWN	APVD
AJ	16	B	REV PER ECO 08-009474	7/22/2008	DW JL

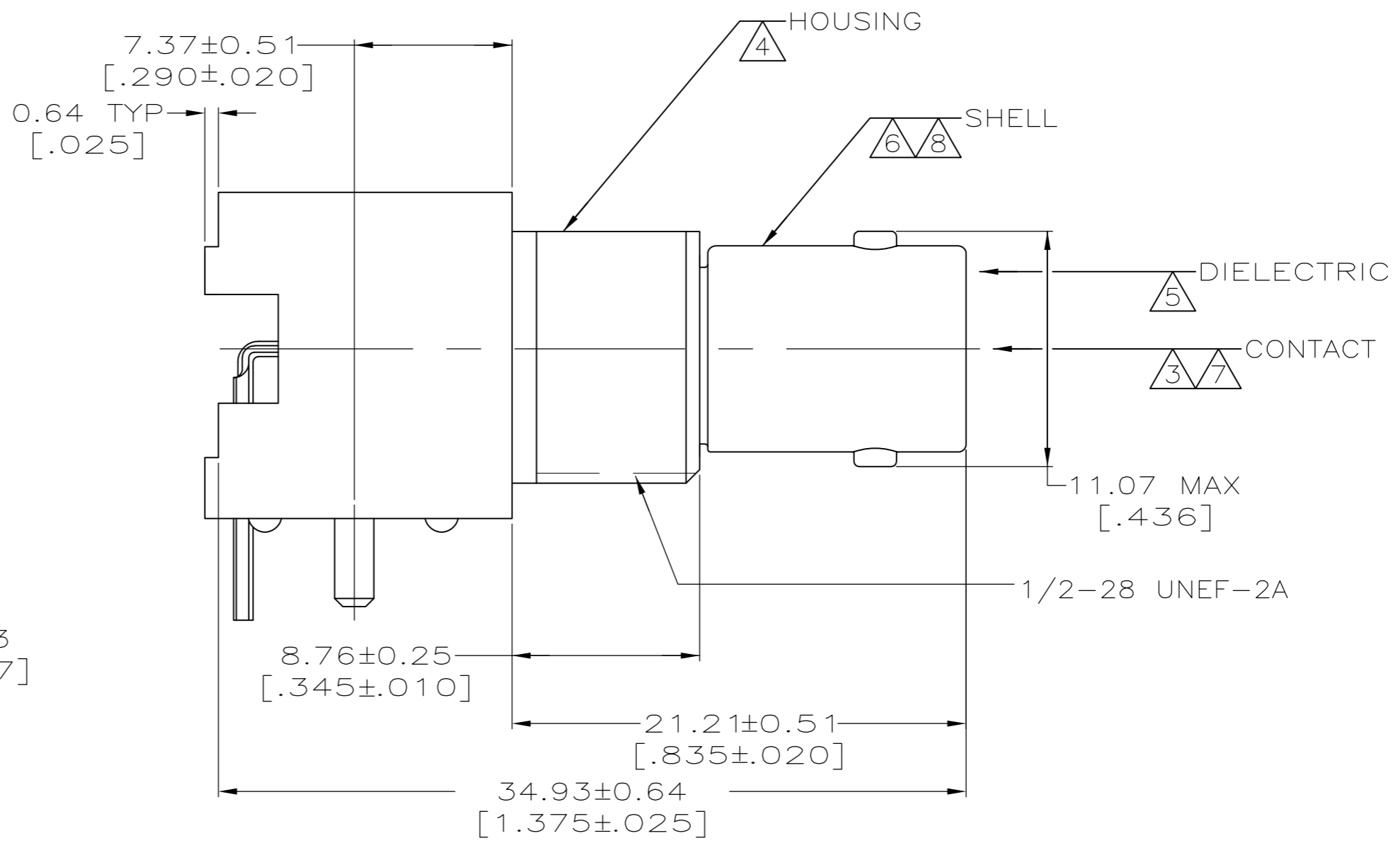
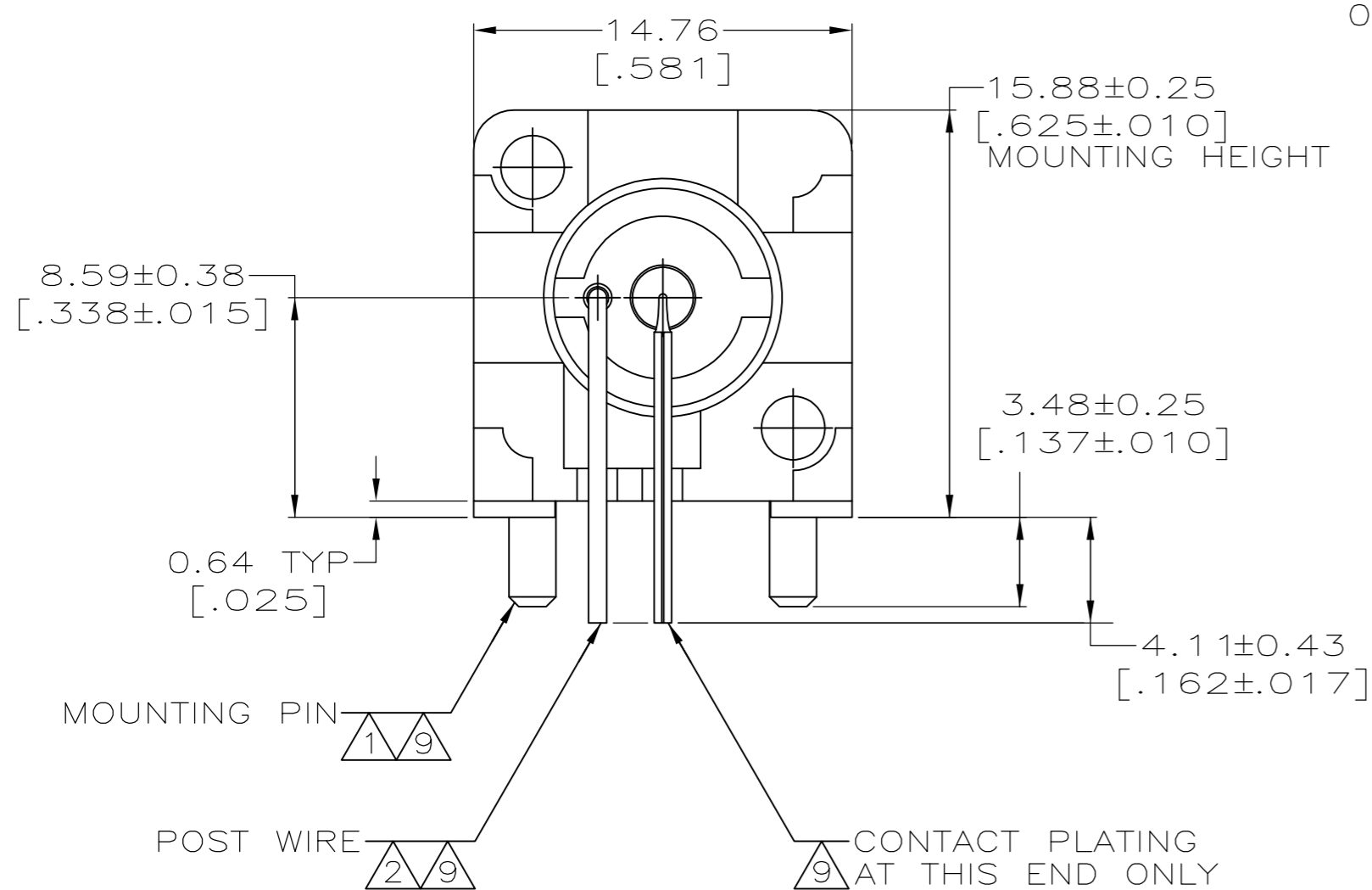


RECOMMENDED PCB LAYOUT



RECOMMENDED PANEL CUTOUT

- ① BRASS PER ASTM-B-16
- ② BRASS PER ASTM-B-453
- ③ PHOSPHOR BRONZE PER ASTM-B-103
- ④ POLYESTER PBT PER MIL-M-25419, TYPE GPT-15F, UL94V-0 RATED, COLOR: BLACK
- ⑤ POLYMETHYLPENTENE: GENERAL PURPOSE
- ⑥ ZINC DIE CAST PER QQ-Z-363
- ⑦ GOLD PLATE PER ASTM-B-488, $0.76 \mu\text{m}$ [$.000030$] MIN THICKNESS
- ⑧ NICKEL PLATE PER QQ-N-290, $3.81 \mu\text{m}$ [$.000150$] MIN THICKNESS
- ⑨ TIN PLATE PER ASTM-B-545, $3.81 \mu\text{m}$ [$.000150$] MIN THICK.
- 10. USE INSTRUCTION SHEET 408-2769



5415633-1
 PART NUMBER

THIS DRAWING IS A CONTROLLED DOCUMENT.		DWN J. ALCORTA - DOCK5 27APR2005	Tyco Electronics Corporation Harrisburg, PA 17105-3608	
DIMENSIONS: mm [INCHES]		CHK J. HAVENER 27APR2005	NAME JACK, RIGHT ANGLE, 75 OHM, PCB, BNC	
TOLERANCES UNLESS OTHERWISE SPECIFIED: 0 PLC ± - 1 PLC ± - 2 PLC ± 0.20 [.008] 3 PLC ± - 4 PLC ± - ANGLES ± -		APVD J. LIPPERT 27APR2005	PRODUCT SPEC 108-12078	
MATERIAL SEE NOTES		FINISH SEE NOTES	WEIGHT -	RESTRICTED TO -
CUSTOMER DRAWING		SCALE 4:1	SHEET 1 of 1	REV B