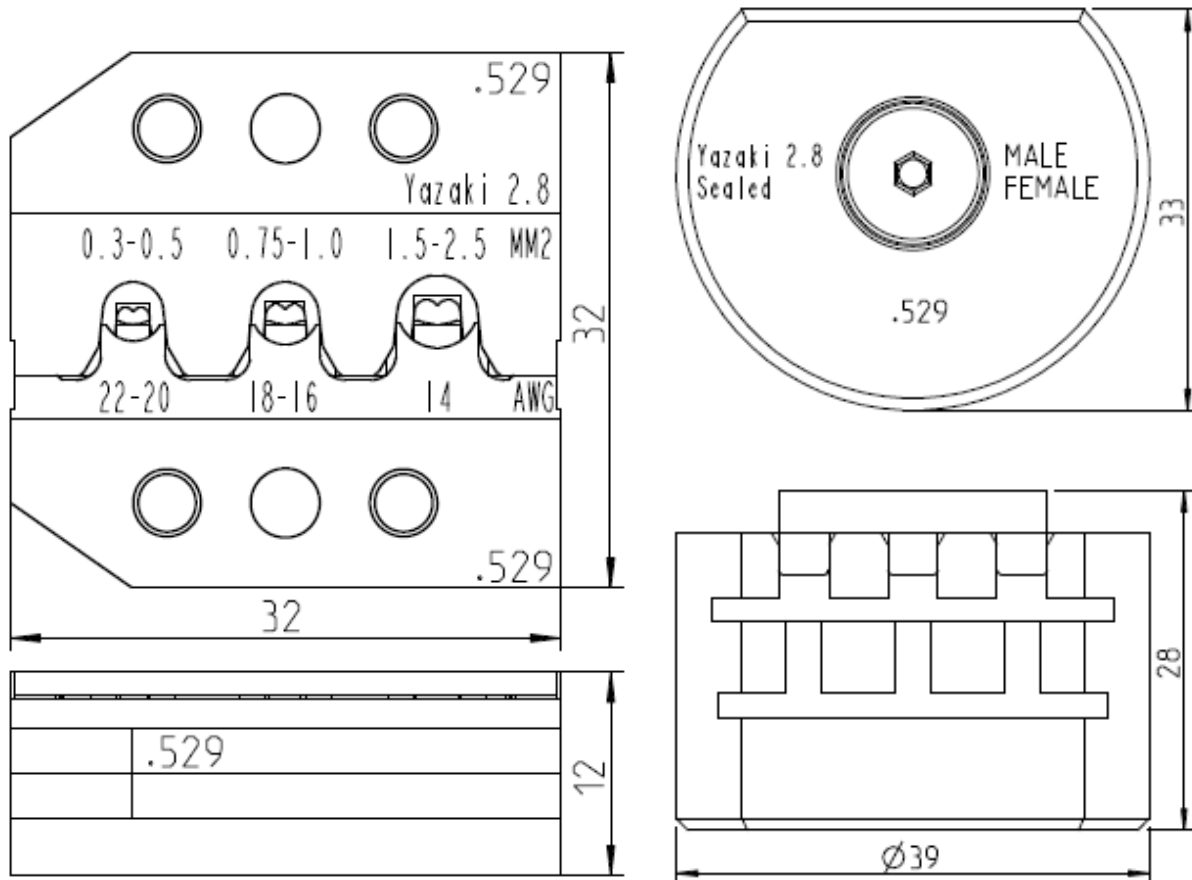


# RENNSTEIG TOOLS, INC.

## PRODUCT NAME

Rennsteig Crimping Die Set & Locator Yazaki YES/YESC Kaizen 2.8 x 0.8 terminals



Measurements in Millimeter.

## SPECIFICATION

P/N	Description	Application	Terminal P/N	Capacity	Applicable for
624 529 3 0 RT	Die Set	Yazaki 2.8 series sealed	7114-4150-02	AWG 22-20 / 18-16 / 14	Rennsteig Crimp System Tools
			7116-4150-02		
			7114-4151-02	0.35-0.5 / 0.75-1.0 / 1.5-2.5 mm2	
			7114-4152-02		
			7116-4152-02		
624 529 0 01 RT	Locator	Yazaki 2.8 series sealed	7114-4150-02	AWG 22-20 / 18-16 / 14	Rennsteig Crimp System Tools
			7116-4150-02		
			7114-4151-02	0.35-0.5 / 0.75-1.0 / 1.5-2.5 mm2	
			7114-4152-02		
			7116-4152-02		

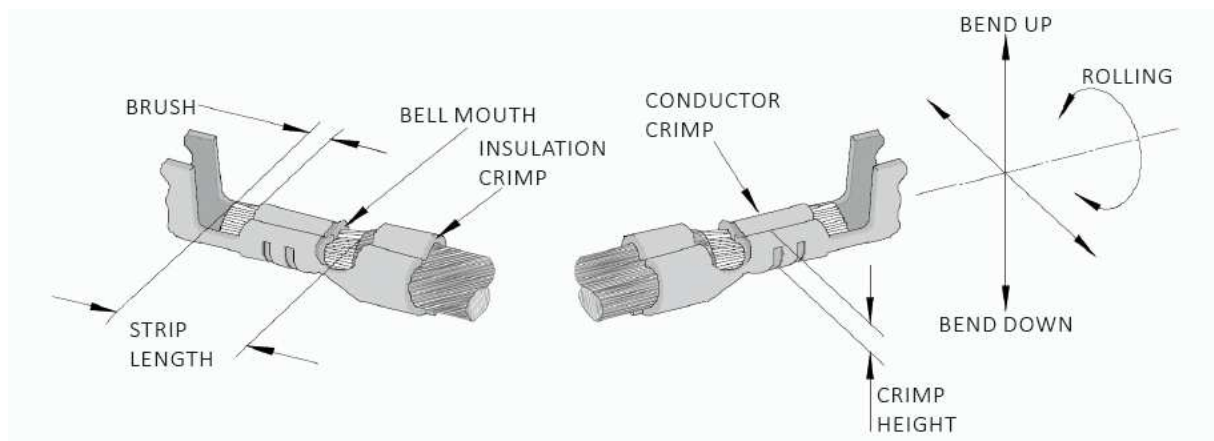
## CRIMP SPECIFICATION

### Core Crimp

Terminal	Wire Size	Crimp height CCH (mm)	Crimp width CCW (mm)	Pull out force (N) DIN EN 60352-2
7114-4150-02	AWG 22 / 0.35 mm <sup>2</sup>	1.05 ± 0.1	1.99 ± 0.05	40 (nominal)
7116-4150-02	AWG 20 / 0.5 mm <sup>2</sup>	1.06 ± 0.1	2.00 ± 0.05	60 (nominal)
7114-4151-02	AWG 18 / 0.75 mm <sup>2</sup>	1.22 ± 0.1	2.40 ± 0.05	85 (nominal)
7114-4151-02	AWG 16 / 1.0 mm <sup>2</sup>	1.25 ± 0.1	2.43 ± 0.05	108 (nominal)
7114-4152-02	AWG 14 / 1.5 mm <sup>2</sup>	1.60 ± 0.1	2.85 ± 0.05	150 (nominal)
7114-4152-02	AWG 14 / 2.0 mm <sup>2</sup>	1.66 ± 0.1	2.86 ± 0.05	200 (nominal)
7116-4152-02	AWG 14 / 2.5 mm <sup>2</sup>	1.66 ± 0.1	2.84 ± 0.05	200 (nominal)

### Insulation Crimp

Terminal	Wire Size	Insulation height ICH (mm)	Insulation width ICW (mm)
7114-4150-02	AWG 22 / 0.35 mm <sup>2</sup>	3.54 ± 0.1	3.72 ± 0.05
7116-4150-02	AWG 20 / 0.5 mm <sup>2</sup>	3.56 ± 0.1	3.75 ± 0.05
7114-4151-02	AWG 18 / 0.75 mm <sup>2</sup>	3.73 ± 0.1	4.10 ± 0.05
7114-4151-02	AWG 16 / 1.0 mm <sup>2</sup>	3.78 ± 0.1	4.12 ± 0.05
7114-4152-02	AWG 14 / 1.5 mm <sup>2</sup>	4.36 ± 0.1	4.85 ± 0.05
7114-4152-02	AWG 14 / 2.0 mm <sup>2</sup>	4.42 ± 0.1	4.88 ± 0.05
7116-4152-02	AWG 14 / 2.5 mm <sup>2</sup>	4.51 ± 0.1	4.84 ± 0.05



The above terminal drawing is a generic terminal representation. It is not an image of a terminal listed in the scope.