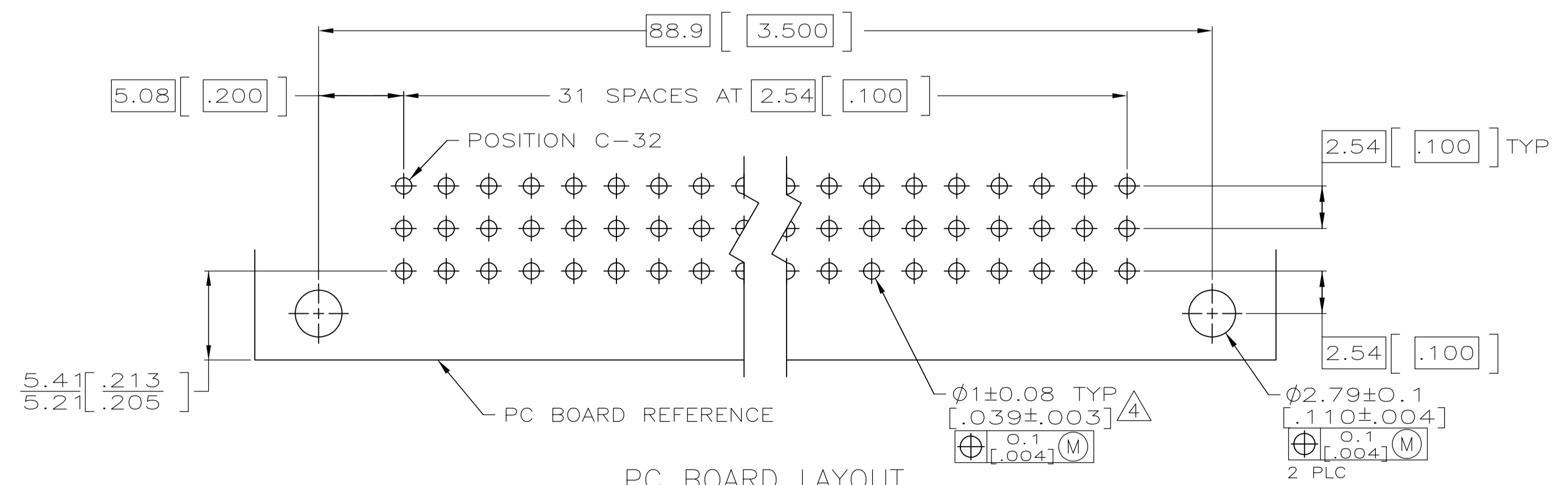
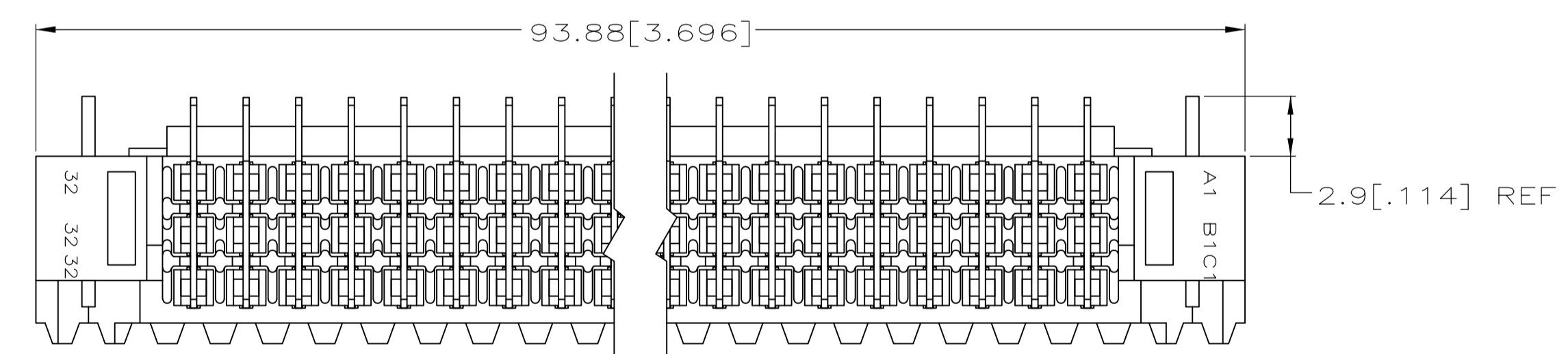
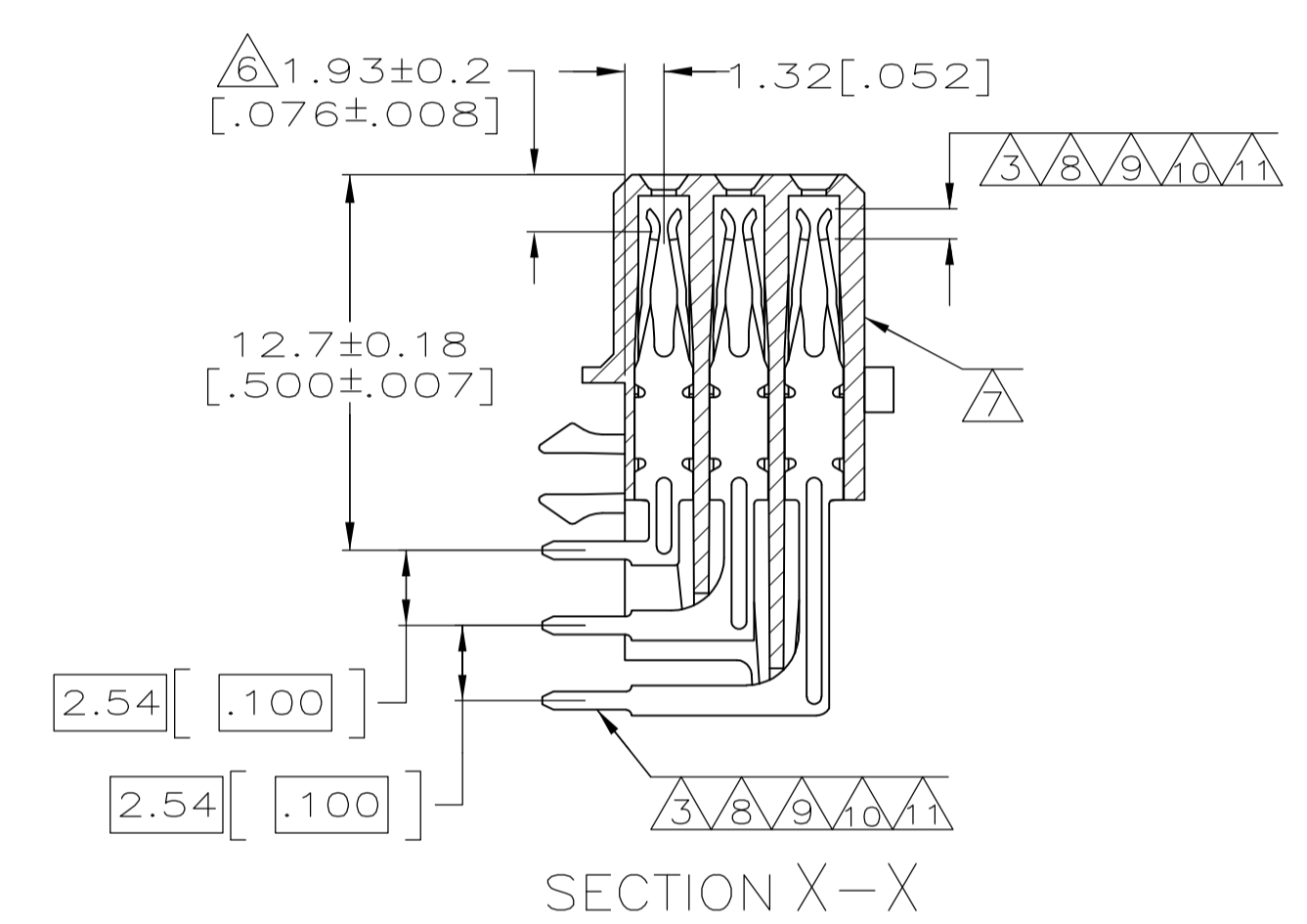
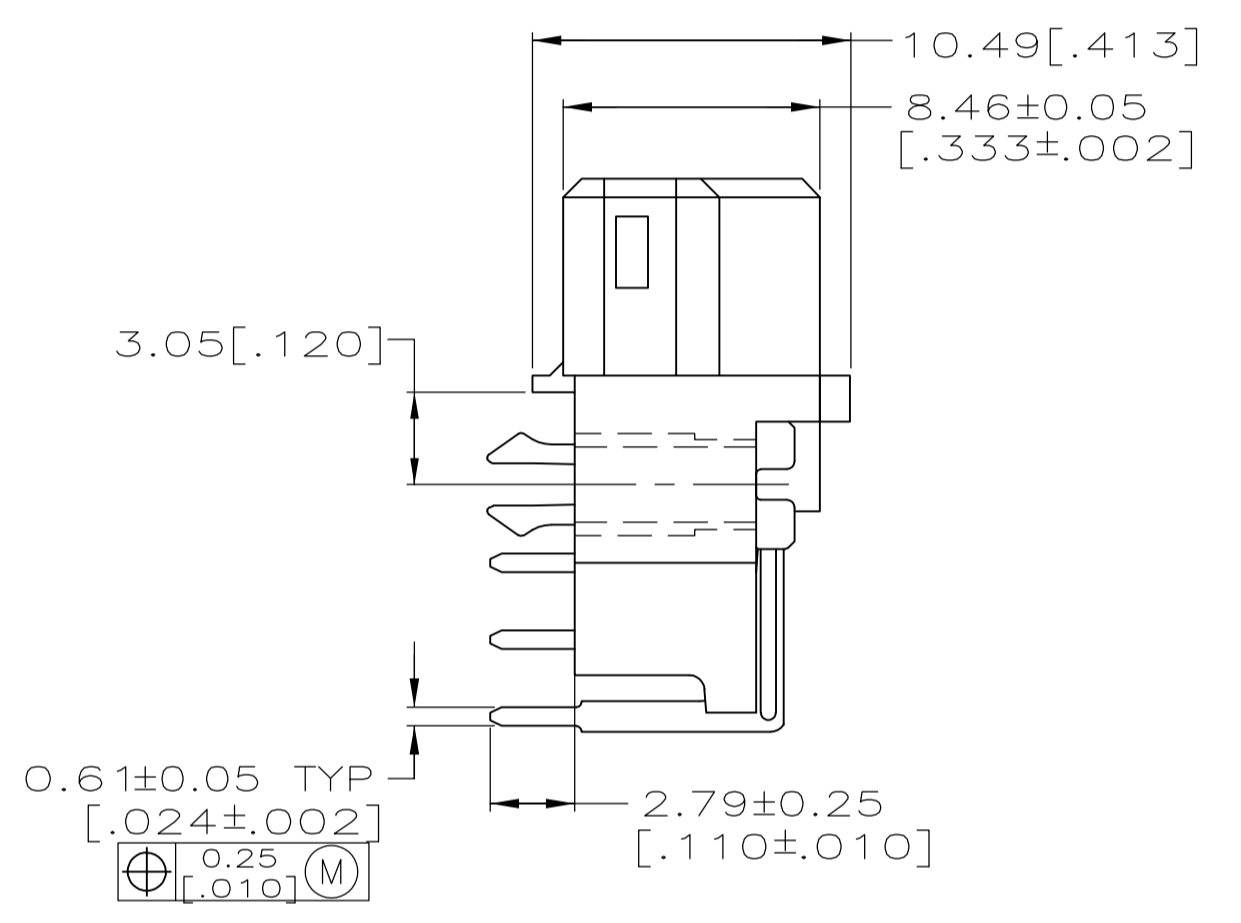
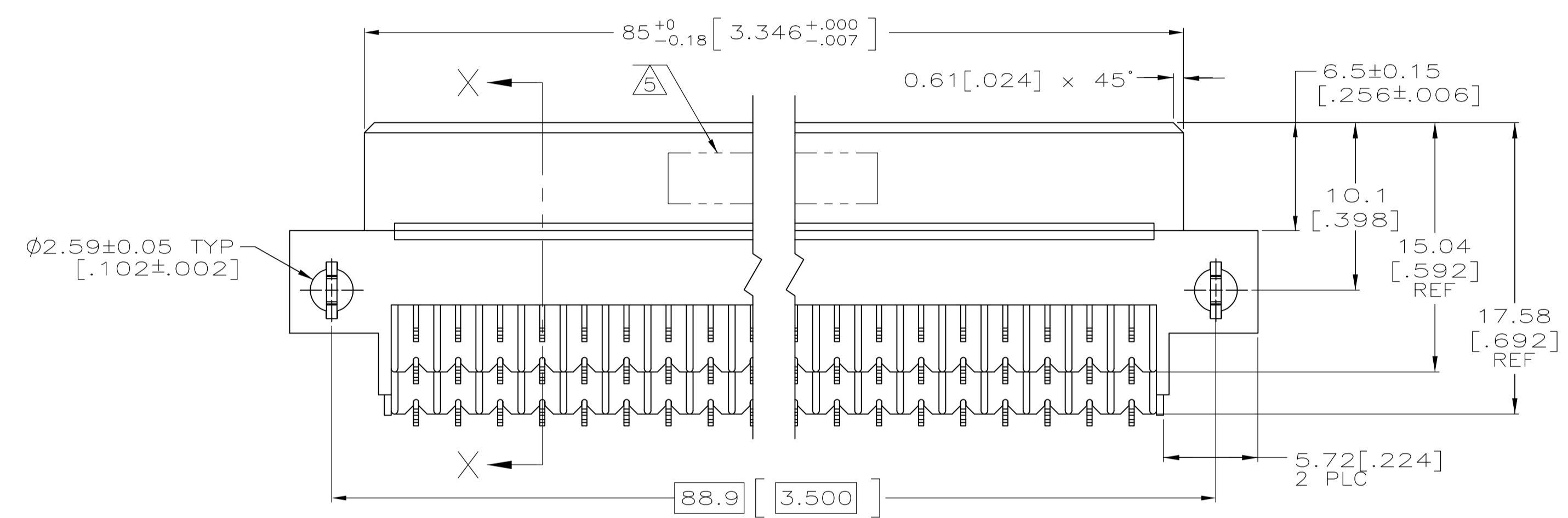
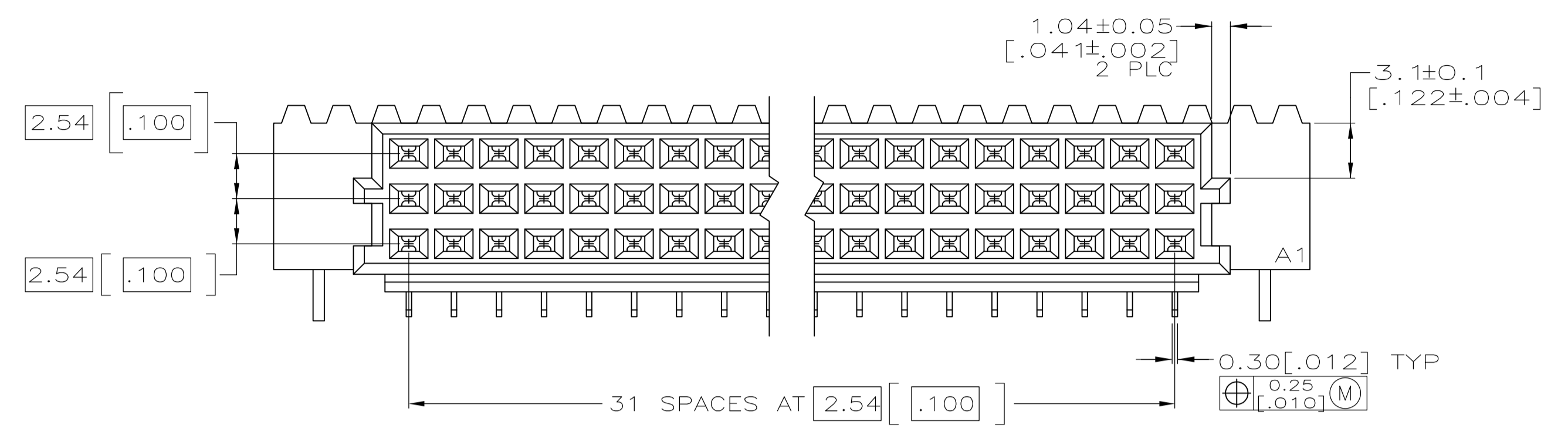


REVISIONS					
P	LTR	DESCRIPTION	DATE	DMN	APVD
T		REVISED PER ECO-16-012290	19AUG2016	SY	SY



PC BOARD LAYOUT
RECOMMENDED PC BOARD THICKNESS 1.57 [.062]

- 1 HOUSING MATERIAL: GLASS-FILLED POLYESTER. COLOR: GRAY.
- 2 CONTACT MATERIAL: PHOSPHOR BRONZE.
- 3 CONTACT FINISH: 0.00076 [.000030] GOLD IN CONTACT AREA. 0.00127 [.000050] NICKEL UNDERPLATE ALL OVER. TIN-LEAD ON POSTS.
- 4 RECOMMENDED HOLE SIZE FOR MANUAL APPLICATION OF CONNECTOR ONTO PC BOARD.
- 5 PART NUMBER, DATE CODE IDENTIFICATION, CSA LOGO HOT-STAMPED THIS APPROXIMATE AREA.
- 6 CONTACT POINT.
- 7 HOT-STAMPING ON THIS SIDE.
- 8 CONTACT FINISH: CONFIRMS TO PERFORMANCE REQUIREMENT OF DIN 41612 CLASS 3 IN CONTACT AREA, 0.00127 [.000050] NICKEL UNDERPLATE ALL OVER, TIN-LEAD ON POSTS.
- 9 CONTACT FINISH: CONFIRMS TO PERFORMANCE REQUIREMENT OF DIN 41612 CLASS 2 IN CONTACT AREA, 0.00127 [.000050] NICKEL UNDERPLATE ALL OVER, TIN-LEAD ON POSTS.
- 10 CONTACT FINISH: 0.00076 [.000030] GOLD IN CONTACT AREA. 0.00127 [.000050] NICKEL UNDERPLATE ALL OVER. TIN ON POSTS.
- 11 CONTACT FINISH: CONFIRMS TO PERFORMANCE REQUIREMENT OF DIN 41612 CLASS 2 IN CONTACT AREA, 0.00127 [.000050] NICKEL UNDERPLATE ALL OVER, TIN ON POSTS.

SUPERSEDED BY 5650895-5	1 THRU 32	X X X	96	7-650895-5
SUPERSEDED BY 5650895-4	1 THRU 32	X X X	96	7-650895-4
SUPERSEDED BY 650895-5	1 THRU 32	X X X	96	650895-9
	1 THRU 32	X X X	96	650895-5
	1 THRU 32	X X X	96	650895-4

POSITIONS LOADED		ROWS LOADED		NO. OF LOADED POSITION	ASSY PART NUMBER

THIS DRAWING IS A CONTROLLED DOCUMENT.

DIMENSIONS: mm [INCHES]	TOLERANCES UNLESS OTHERWISE SPECIFIED:	DIN L BRINER 10/18/90	APVD N DRASHER 11/11/90	NAME
0 PLC ± -	1 PLC ± -	2 PLC ± -	3 PLC ± 0.13 [.005]	4 PLC ± -
ANGLES ± -				
MATERIAL	FINISH	WEIGHT 0.000000	A1 00779	650895
		CUSTOMER DRAWING	SCALE 4:1	SHEET 1 OF 1 REV T

RECEPTACLE ASSEMBLY, EUROCARD, TYPE R WITH BOARD LOCKS, 96 POSITION