

PRODUCT ADVISORY NOTICE

KEEPING YOU INFORMED OF PRODUCT CHANGES

To: All Customers, Sales Representatives and Distributors

Date: January 17, 2019

Subject: 67B Product Improvement

This Product Advisory Notice is to alert you that there is an upcoming design change to our 67B series of joystick encoder. Your company has purchased one or more of the affected part numbers in the past. Please forward this notification to the appropriate person(s) in you organization.

Description of Change

Grayhill is increasing the thickness of the printed circuit board in this part number as a product improvement. The behind panel depth will increase by 0.031 inches. This increased behind panel depth is shown on the attached.

Reason for Change

Product improvement to increase the impact rating of this product series.

Effective Date

The change will be effective date code 1901.

Part Numbers Affected

All variants of Grayhill part numbers beginning with 67B. The part numbers below have been shipped to customers previously.

67B-J4-3C-S-03C	67B-R4-3C-S-04C
67B-J4-3C-U-04C	67B-R4-3C-S-06C
67B-JA-3C-S-03C	67B-R4-3C-S-P
67B-JA-3C-S-P	67B-RA-3C-S-02C
67B-JA-3C-U-06C	67B-RA-3C-S-03C
67B-P2-3C-S-04C	67B-RA-3C-S-04C
67B-P4-3C-S-04C	67B-RA-3C-S-06C
67B-PA-3C-S-04C	67B-RA-3C-S-P
67B-PA-3C-S-P	67B-RA-3C-U-P
67B-PA-3C-U-04C	67BY021
67B-R2-3C-S-04C	67BY022

Action Required

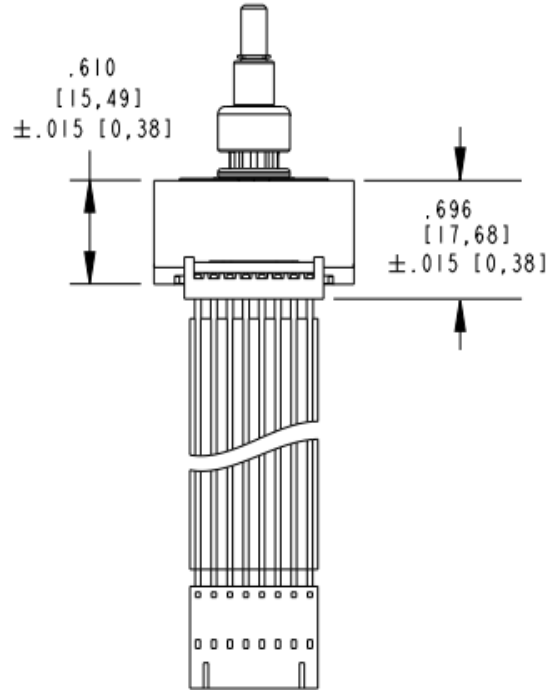
If you have questions, please contact your Grayhill, Inc. sales associate for further information at 708.354.1040.



PRODUCT ADVISORY NOTICE

KEEPING YOU INFORMED OF PRODUCT CHANGES

AFFECTED DIMENSIONS FOR 67B-XX-XX-U-XXX PART NUMBERS



AFFECTED DIMENSIONS FOR 67B-XX-XX-S-XXX PART NUMBERS

