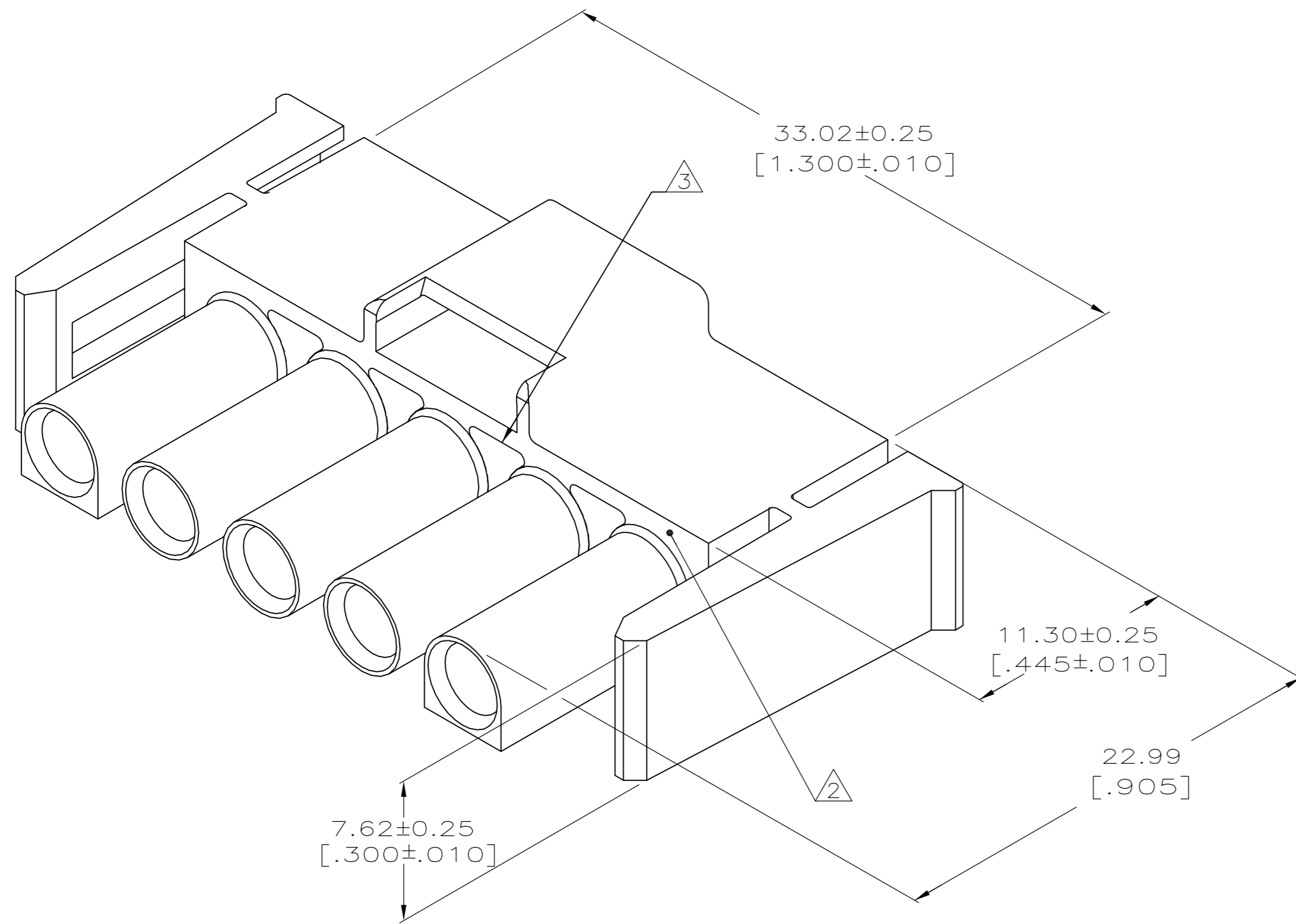


THIS DRAWING IS UNPUBLISHED. RELEASED FOR PUBLICATION
 © COPYRIGHT - By - ALL RIGHTS RESERVED.

REVISIONS				
P	LTR	DESCRIPTION	DATE	APVD
E2		ECO-17-009556	03JUL2017	SW RS

- MUST BE ASSEMBLED WITH PLUG REAR P/N 770320-1 BEFORE MATING. KIT P/N IS 770016-1.
- AMP LOGO LOCATED THIS SURFACE.
- NEW MOLD CONSTRUCTION PROVIDES MATERIAL REDUCTION CORING AT BASE OF SILOS WITH NO CORING AS OPTIONAL.
- DIMENSIONS SHOWN REPRESENT PRODUCT IN DRY, AS MOLDED, CONDITION. ADDITIONAL 2% GROWTH DUE TO SUBSEQUENT MOISTURE ABSORPTION MAY OCCUR AND SHOULD BE ACCOUNTED FOR.
- PRELIMINARY- NOT FOR PRODUCTION



NYLON UL94, VO COLOR-BLUE	5 1-770319-4
NYLON UL94, VO COLOR-RED	5 1-770319-2
NYLON UL94, VO COLOR-NATURAL	770319-1
MATERIAL & COLOR	PART NUMBER

THIS DRAWING IS A CONTROLLED DOCUMENT.		DWN K. SALMON 1-15-92	TE TE Connectivity		
DIMENSIONS: MM [INCHES]		CHK R. SWING 1-15-92			
TOLERANCES UNLESS OTHERWISE SPECIFIED:		APVD M. TRULL 1-16-92	NAME PLUG FRONT, 5 CIRCUIT, UNIVERSAL MATE-N-LOK II		
0 PLC ± - 1 PLC ± - 2 PLC ± - 3 PLC ± 0.13 [.005] 4 PLC ± - ANGLES ± -		PRODUCT SPEC APPLICATION SPEC	SIZE A2	CAGE CODE 00779	DRAWING NO C=770319
MATERIAL SEE TABLE		FINISH -	WEIGHT 0.000000	RESTRICTED TO -	SCALE 5:1
CUSTOMER DRAWING			SHEET 1 of 1	REV E2	