



LAYOUT SHOWN AS EXAMPLE

Keying Shown as example

**CHARACTERISTICS**

- Standard : Based on MIL-DTL-38999 Series III
- Shell Material : Stainless Steel
- Shell Plating : Passivated
- Insulator : Thermoplastic
- Contacts : Copper Alloy
- Seals & Grommet : Silicon Elastomer
- Contact Plating : Gold over copper Alloy 0.8µm minimum
- Durability : 500 Mating cycles
- Delivered with Souriau contacts and Accessories
- Temperature Range : -65°C to +200°C
- Salt Spray : 500 hours

| Connector dimension |                 |
|---------------------|-----------------|
| Dim                 | Nominal         |
| A                   | 58.7±0.3        |
| B                   | 42.85+0.1/-0.15 |
| R                   | 32.5Max         |
| S                   | 55.6±0.4        |
| W                   | 3+0.9/-0.1      |
| VV THREAD           | M37x1-6g        |

SOURIAU shall not be liable for any non-conformity or damage due to a use of the Products which does not comply with the Specifications issued by either of the Parties or by a third party (professional recommendation, technical notice.)

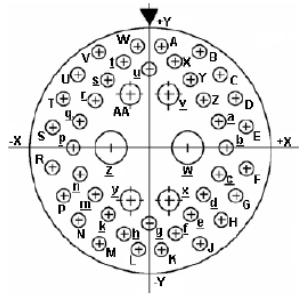
|         |                             |
|---------|-----------------------------|
| Country | Jurisdiction & Control List |
| FR      | Not Listed                  |

**PN: 8D725K90PD**

|              |   |                                |   |
|--------------|---|--------------------------------|---|
| A            | 04-10-2016  | First Release                  |   |
| ISS          | DATE  | Latest modification - by       | MOD N°  |
| Designed By: |   | Date:                          | <b>CUSTOMER DRAWING</b>   |
| <b>TITLE</b> | <b>Stainless Steel Receptacle 8D series</b>                         |                                |   |
| SCALE        |   | General linear Tolerances: ±-- | NPRDS / PROJECT<br><b>859</b>   |
| NA           | <b>SOURIAU</b> <a href="http://WWW.SOURIAU.COM">WWW.SOURIAU.COM</a> |                                | This document is the property of SOURIAU it must not be reproduced or communicated without permission |
| FORMAT       | <b>A3</b>   |                                | <b>SOURIAU DRG N° 8D725K90PD-C</b>  |
|              |   |                                | SHEET<br>1/2  |

|                |                        |   |   |    |   |    |   |   |                                 |
|----------------|------------------------|---|---|----|---|----|---|---|---------------------------------|
| BASIC SERIES:  | 8D                     | 7 | - | 25 | K | 90 | P | D | ORIENTATION : D                 |
| SHELL TYPE :   | Jam nut Receptacle     |   |   |    |   |    |   |   | CONTACT TYPE : PIN(500 Matings) |
| CONTACT TYPE : | Standard Crimp Contact |   |   |    |   |    |   |   | CONTACT LAYOUT : 25-90          |
| SHELL SIZE :   | 25                     |   |   |    |   |    |   |   |                                 |
| PLATING :      | K = Passivated         |   |   |    |   |    |   |   |                                 |

Contact Layout



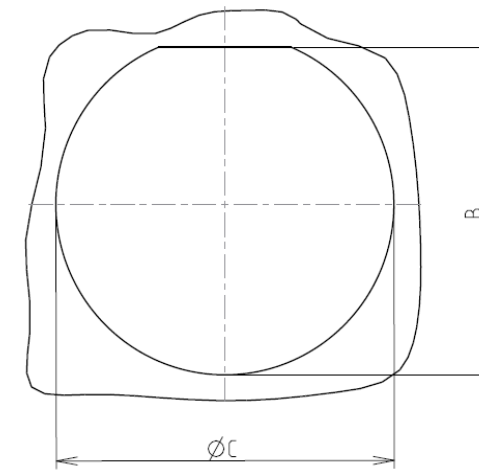
(Inactive for new design for MIL-DTL-38999. For new design, use arrangement no. 25-91.)

| Contact position ID | Location     |              | Contact position ID | Location     |              |
|---------------------|--------------|--------------|---------------------|--------------|--------------|
|                     | X-axis (mm)  | Y-axis (mm)  |                     | X-axis (mm)  | Y-axis (mm)  |
| A                   | +065 (1.65)  | +533 (13.54) | a                   | +404 (10.26) | +125 (3.18)  |
| B                   | +275 (6.99)  | +466 (11.84) | b                   | +437 (11.10) | +000 (0.00)  |
| C                   | +420 (10.67) | +337 (8.56)  | c                   | +404 (10.26) | -125 (3.18)  |
| D                   | +490 (12.45) | +227 (5.77)  | d                   | +314 (7.98)  | -221 (5.61)  |
| E                   | +531 (13.49) | +093 (2.36)  | e                   | +245 (6.22)  | -337 (8.56)  |
| F                   | +531 (13.49) | -093 (2.36)  | f                   | +136 (3.45)  | -424 (10.77) |
| G                   | +490 (12.45) | -227 (5.77)  | g                   | +000 (0.00)  | -395 (10.03) |
| H                   | +420 (10.67) | -337 (8.56)  | h                   | -136 (3.45)  | -424 (10.77) |
| J                   | +275 (6.99)  | -466 (11.84) | k                   | -245 (6.22)  | -337 (8.56)  |
| K                   | +065 (1.65)  | -533 (13.54) | m                   | -314 (7.98)  | -221 (5.61)  |
| L                   | -065 (1.65)  | -533 (13.54) | n                   | -404 (10.26) | -125 (3.18)  |
| M                   | -275 (6.99)  | -466 (11.84) | p                   | -437 (11.10) | +000 (0.00)  |
| N                   | -420 (10.67) | -337 (8.56)  | q                   | -404 (10.26) | +125 (3.18)  |
| P                   | -490 (12.45) | -227 (5.77)  | r                   | -314 (7.98)  | +221 (5.61)  |
| R                   | -531 (13.49) | -093 (2.36)  | s                   | -245 (6.22)  | +337 (8.56)  |
| S                   | -531 (13.49) | +093 (2.36)  | t                   | -136 (3.45)  | +424 (10.77) |
| T                   | -490 (12.45) | +227 (5.77)  | u                   | +000 (0.00)  | +395 (10.03) |
| U                   | -420 (10.67) | +337 (8.56)  | v                   | +097 (2.46)  | +265 (6.73)  |
| V                   | -275 (6.99)  | +466 (11.84) | w                   | +180 (4.57)  | +000 (0.00)  |
| W                   | -065 (1.65)  | +533 (13.54) | x                   | +097 (2.46)  | -265 (6.73)  |
| X                   | +136 (3.45)  | +424 (10.77) | y                   | -097 (2.46)  | -265 (6.73)  |
| Y                   | +245 (6.22)  | +337 (8.56)  | z                   | -180 (4.57)  | +000 (0.00)  |
| Z                   | +314 (7.98)  | +221 (5.61)  | AA                  | -097 (2.46)  | +265 (6.73)  |

| Shell size | Arrangement no. | Number of contacts | Size contacts | Service rating | Contact location | Standard contact |               |
|------------|-----------------|--------------------|---------------|----------------|------------------|------------------|---------------|
|            |                 |                    |               |                |                  | Pin              | Socket        |
| 25         | -90             | 2                  | 8 (see note)  | Twinax         | W, Z             | M39029/90-529    | M39029/91-530 |
|            |                 | 4                  | 16            | I              | Y, X, Y, AA      | M39029/58-364    | M39029/56-352 |
|            |                 | 40                 | 20            |                | All others       | M39029/58-363    | M39029/56-351 |

Panel cutout

JAM NUT RECEPTACLE (TYPE 7)



| Dim | Nominal       |
|-----|---------------|
| B   | 43.43+0/-0.25 |
| ØC  | 44.7+0.25/-0  |

SOURIAU shall not be liable for any non-conformity or damage due to a use of the Products which does not comply with the Specifications issued by either of the Parties or by a third party (professional recommendation, technical notice.)

| Country | Jurisdiction & Control List |
|---------|-----------------------------|
| FR      | Not Listed                  |

PN: 8D725K90PD

|                |   |                                |   |
|----------------|---|--------------------------------|---|
| A              | 04-10-2016                                  | First Release                  |   |
| ISS            | DATE  | Latest modification - by       | MOD N°  |
| Designed By:   |   | Date:                          | <b>CUSTOMER DRAWING</b>   |
| <b>TITLE</b>   | <b>Stainless Steel Receptacle 8D series</b> |                                |   |
| SCALE          |   | General linear Tolerances: ±-- | NPRDS / PROJECT   |
| NA             |   |                                | <b>859</b>  |
| <b>SOURIAU</b> | <b>WWW.SOURIAU.COM</b>                      |                                | This document is the property of SOURIAU it must not be reproduced or communicated without permission |
| FORMAT         | <b>SOURIAU DRG N° 8D725K90PD-C</b>          |                                | SHEET 2/2   |