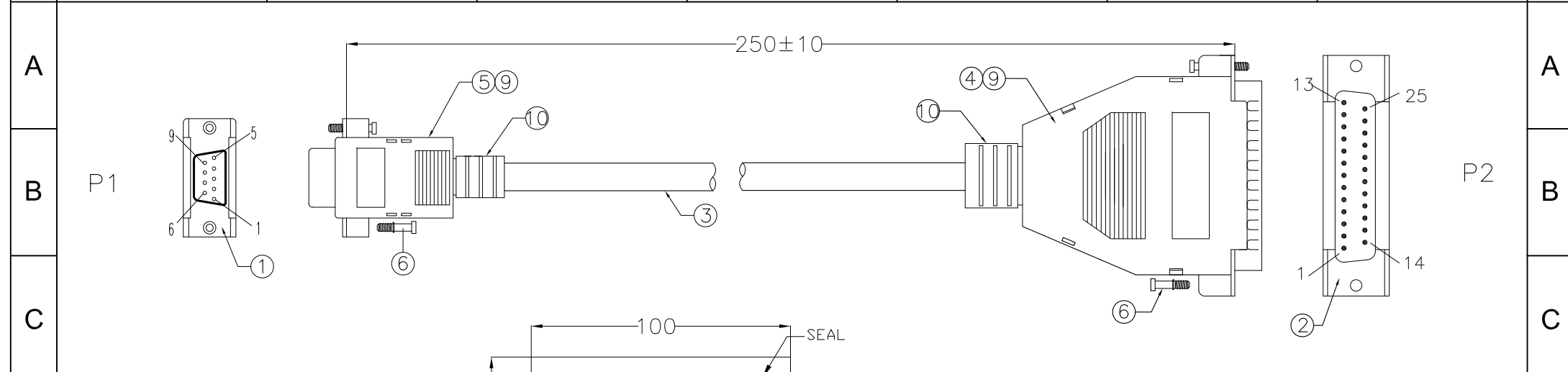


1 2 3 4 5 6 7



①	P1	P2
1	8	
2	3	
3	2	
4	20	
5	7	
6	6	
7	4	
8	5	
9	22	
	SHELL	SHELL

⑩	S/R	5.5g	BEIGE(IV-29#) 45P PVC (MOULD NO,SR-50/SR-51)
⑨	TUBE	1	Black OD1.5mm,L1=20mm,L2=30mm
⑧	PE BAG	1/10	CLEAR SIZE: 280*330*0.05mm PRINT BLACK"MADE IN CHINA"+"10PCS"
⑦	PE BAG	1	CLEAR SIZE: 100*200*0.05mm PRINT BLACK"MADE IN CHINA"+"1PC"
⑥	SCREW	4	SCREW #4-40UNC L=12.5mm,NICKEL PLATED
⑤	DKN	1	DB9P DKN W/O NUT BEIGE
④	DKN	1	DB25P DKN W/O NUT BEIGE
③	CABLE	1	NOUL 28AWG*9C+D+AL OD5.0mm COLOR BEIGE(IV-29#)
②	CONN	1	DB25P MALE SOLDER TYPE PIN G/F, BLUE INSULATION
①	CONN	1	DB 9P FEMALE SOLDER TYPE G/F ,BLUE INSULATION
NO.	NAME	Q'TY	SPECIFICATION

RoHS compliant
Unit: mm

Scale	Free					Date	Name	Customer-No.
TOLERANCE						Drawn	20.02.2017	Amy
						Approved	04.09.2017	Fred
								ASSMANN WSW-No.
								AK128-.25
DIM	TOL	①	Delete the wire color for pin assignment	04.09.2017	Fred			
		②	Drawn	20.02.2017	Amy			
Angle	TOL	Id.	Modification	Date	Name	Replace	ASS 7852 CA	rev01

1 2 3 4 5 6 7