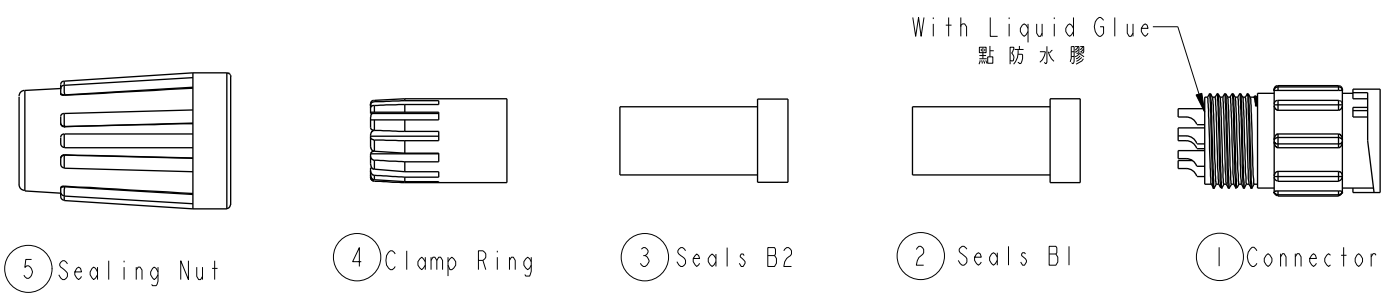


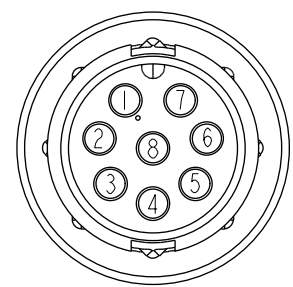
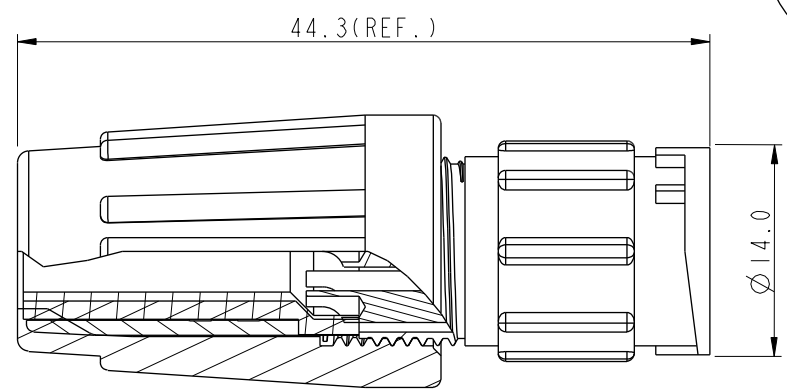
THIS DOCUMENT IS SUBJECT TO CHANGE WITHOUT NOTICE. IT IS CONFIDENTIAL AND A PROPERTY OF Amphenol LTW. DISCLOSURE TO THIRD PARTY HAS TO BE AUTHORIZED BY Amphenol LTW.

REV.	ECN NO.	DATE	SIGN	DESCRIPTION



**ALTW**  
 DCC. DEPT.  
 CONFIDENTIAL  
 2012-04-06  
**ISSUED**

**ALTW**  
 CONFIDENTIAL  
 2012-03-27  
 R&D DEPT.



Pin Assignments  
Front View 前視圖

- Note:
- \* Seals B1 for Cable OD:  $\varnothing 4.5\text{mm} \sim \varnothing 6.5\text{mm}$   
(防水墊圈B1線徑:  $\varnothing 4.5\text{mm} \sim \varnothing 6.5\text{mm}$ )
  - \* Seals B2 for Cable OD:  $\varnothing 3.5\text{mm} \sim \varnothing 5.3\text{mm}$   
(防水墊圈B2線徑:  $\varnothing 3.5\text{mm} \sim \varnothing 5.3\text{mm}$ )
  - \* One Set Unassembled in One PE Bag  
(每一組未組裝, 放置於一個PE袋, 並封口)
  - \*  $\text{CC}$  Important Dimension.
  - \* Waterproof Rate : IP66
  - \* Housing: Black, Nylon+GF
  - \* Male Pin: Copper Alloy, Gold Plated
  - \* Seals: Black, EPDM
  - \* Clamping Ring: Black, Nylon
  - \* Sealing Nut: Black, Nylon
  - \* PE Bag: 90mm\*85mm
  - \* Liquid Glue: Clear

UNIT: mm  TOLERANCE .X $\pm 0.25$ .XX $\pm 0.1$ .XXX $\pm 0.05$ ANGLES $\pm 1^\circ$	TITLE Standard, Assy Lock 8Pin M Conn M Pin			<h1 style="text-align: center;">Amphenol LTW</h1> <h2 style="text-align: center;">安費諾亮泰企業股份有限公司</h2>		ITEM NO	BD-08BMMA-LL6001	DRAWN BY	SamChang	DATE	2012-03-27	
	SCALE	1:1	SIZE			A4	SHEET	1	OF	1	CHECKED BY	Jeffrey
	REV.	A	WC-REV.	A.2	$\text{CC}$ : Inspection item		CUSTOMER	ALTW	APPROVED BY	Lion	DATE	2012-04-06
	FMM10702-01-02A1											