

D

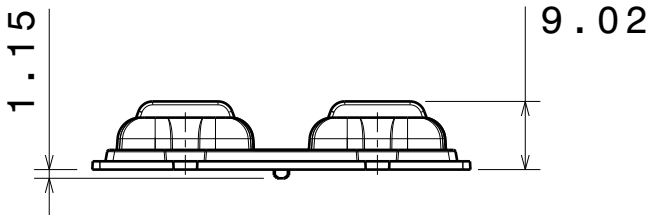
C

B

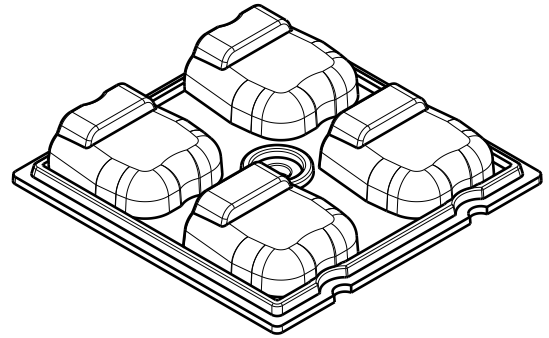
A

4

4



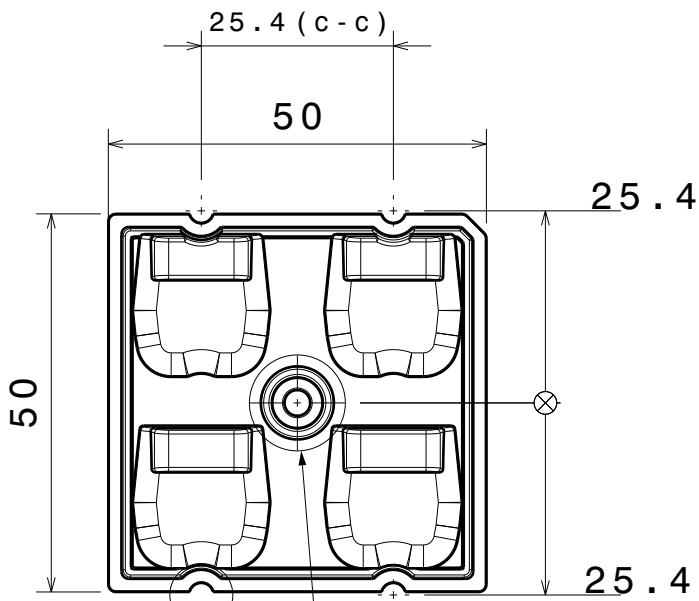
Front view



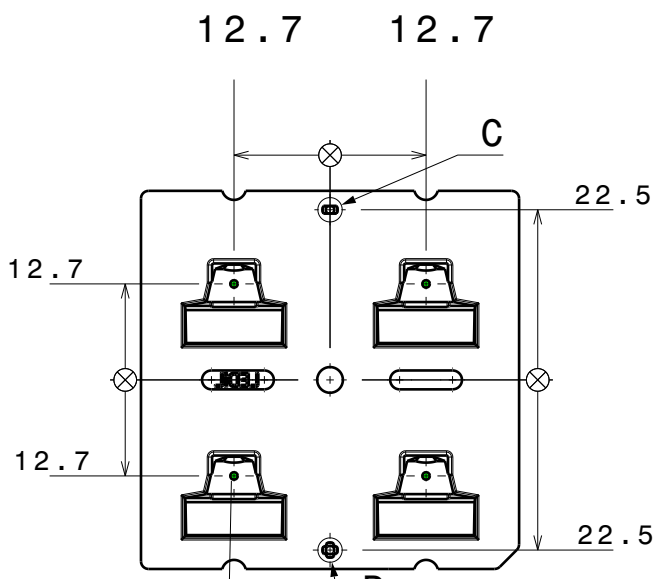
Isometric view

3

3



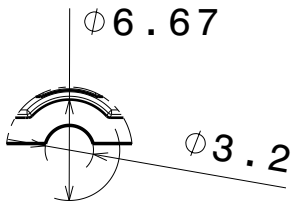
Top view



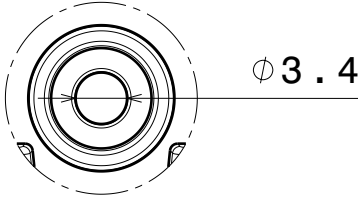
Bottom view

2

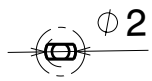
2



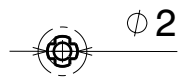
Detail A



Detail B



Detail C



Detail D

Tolerances if not otherwise shown  
 According to DIN ISO 2768-1  
 Linear measures:  
 up to 30mm class M, otherwise class C  
 According to DIN ISO 2768-2  
 Form and position: class L

**LEDiL** LediL Oy  
 Salorankatu 10  
 FIN 24240 SALO  
 Finland

THIRD ANGLE PROJECTION:

DRAWING TITLE  
**C15014\_STRADA-2X2-T4-B**

This drawing is the property of LEDiL Oy. It may not be reproduced, copied or communicated without a written agreement with LEDiL Oy.

SIZE	PART NUMBER
A4	C15014

SCALE	1:1	WEIGHT	9,39 g	SHEET	1/1
-------	-----	--------	--------	-------	-----

D

A

1