

LC SIMPLEX PC MULTIMODE OPTICAL PLUG
FOR Ø2 MM CABLE

Packaging
100

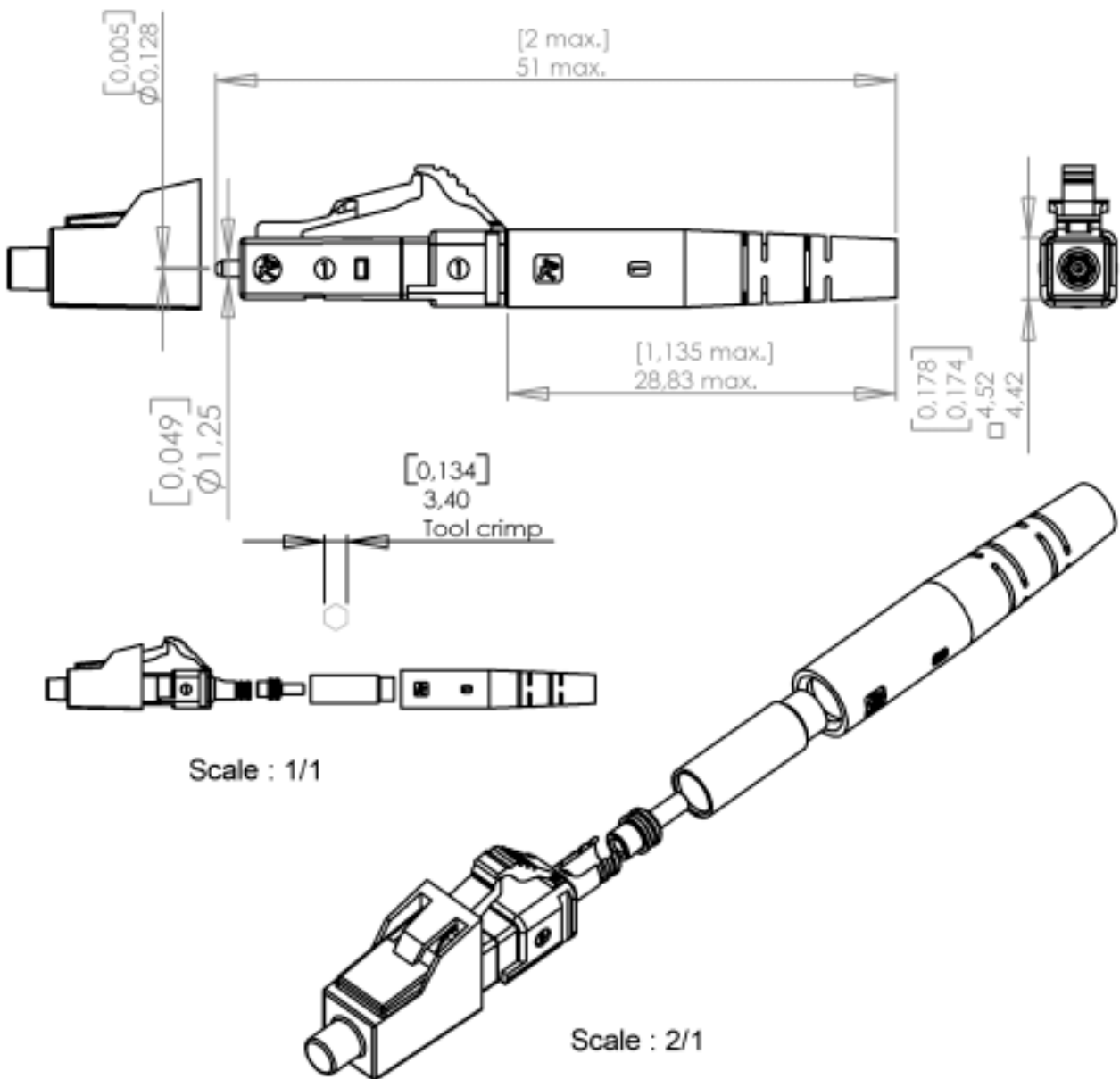
Series
LC

Issue
30 JAN 06

Page
1 / 2

Outer plug body : color BEIGE

Monobloc



Original dimensions in mm [inch]

LC SIMPLEX PC MULTIMODE OPTICAL PLUG
FOR Ø2 MM CABLE

Packaging
100

Series
LC

Issue
30 JAN 06

Page
2 / 2

Outer plug body : color BEIGE

Monobloc

GENERAL

- ❑ **TYPE** IEC 61754-20 (LC)
Multimode Zirconia ferrule
RJ-45 latching connector system
- ❑ **FERRULE SIZE** 128 µm
- ❑ **FIBER SIZE** 62,5/125µm multimode
- ❑ **CABLE SIZE & TYPE** Ø2 ou 2,2 mm Simplex
- ❑ **CABLING PROCEDURE** Refer to 503.08.500 assembly instruction manual

CHARACTERISTICS (Depending on fibre or cable construction)

- ❑ **OPTICAL** Attenuation at 850 nm and 1300 nm
Attenuation plug mated with reference plug : IEC 61300-3-4 Method B

PARAMETER	STD
Mean	≤0.10 dB
Standard deviation	≤0.05 dB

Attenuation of random mated connectors : IEC 61300-3-34

PARAMETER	STD
Mean	≤0.10 dB
Standard deviation	≤ 0.07 dB

Return-Loss Maximum loss variation : IEC 61300-3-6

	RL
PC	> 20 dB

- ❑ **MECHANICAL**
 - Vibration test 10 to 55 Hz , 1,5 mm (peak to peak) , 2 Hr/axis
 - Impact test 1,5 m drop , 8 cycles
 - Mechanical Endurance 200 matings
 - Cable retention 68 N
- ❑ **ENVIRONMENTAL**
 - Storage temperature range -40 °C to +85 °C
 - Operating temperature range +40 °C to +70 °C
 - Thermal cycle test -40°C to +75°C , 21 Cycles , 168
 - Humidity/Condensation cycling test 95% RH , -10°C to + 65°C , 14 cycles , 168 Hr

(Performance and specification : see document GEN – F727 001)