



Smart Technology. Delivered.

880-960 MHz/1710-1880 MHz/1850-1990 MHz Rotatable Shell Omni-Directional Antenna HCR8819M3



THE HCR ROTATABLE SHELL OMNIDIRECTIONAL ANTENNA – WHEN HIGH PERFORMANCE IS DESIRED & EXTREME RUGGEDNESS & LOW PROFILE IS REQUIRED.

The Laird Patent Pending HCR Rotatable Shell Omnidirectional Antenna is a tough low-profile antenna for outdoor or indoor applications. This antenna provides frequency agility, low visibility, wide bandwidth and a low angle radiation pattern that is superior to traditional gain antennas in most applications.

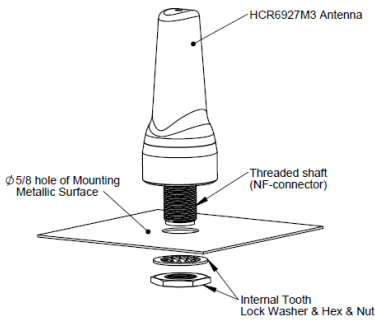
The HCR Rotatable Shell Omnidirectional Antenna is available in various industry standard mounting configurations including a threaded permanent stud mount model for vandal resistant mounting on brackets, panels, ceilings or any other kind of housing.

FEATURES AND BENEFITS

- Multi-band operation: 824-894 MHz / 1710-1880 MHz/1850-1990 MHz
- Meets IP67 protection rating for dust tight seal and temporary water immersion.
- Permanent mount provides vandal resistant protection for remote installations.
- Conformance to RoHS

MARKETS

- Security / Public Safety
- Commercial & Industrial - M2M
- Transportation
- Electric, Gas, & Water Utilities
- Retail, Consumer & Home
- Fixed Radio Applications



SPECIFICATIONS			
Frequency Bands, MHz	880-960	1710-1880	1850-1990
Peak Gain, dBi (Typ)	2.0	2.6	3.0
Peak Gain, dBi (Max)	2.3	3.0	3.1
VSWR (Typ)	<1.3:1	<1.5:1	<1.4:1
VSWR (Max)	<2.0:1	<2.0:1	<2.0:1
Nominal Impedance	50 Ω		
Polarization	Vertical (Linear)		
Azimuth Beam Width	360°, Omnidirectional		
Max Power (Ambient 25° C)	50 Watts		
Antenna Dimension (H x Dia)	83.8 x 36.5 mm (3.3" x 1.43")		
Weight	106g (.23 lbs)		
Antenna Color	Black		
Radome	PC, UV Stable, UL 94V0 Material		
Wind Survival	282 km/h (175 mph)		
Operating Temperature	-30°C - +70°C		
Storage Temperature	-40°C - +85°C		
Ingression Protection	IP67		
RoHS Compliance	YES		

Americas: +1.847.839.6907
IAS-AmericasEastSales@lairdtech.com

Europe: +44.1628.858941
IAS-EUSales@lairdtech.com

Asia: +86.21.5855.0827.127
IAS-AsiaSales@lairdtech.com

www.lairdtech.com

HCR8819M3NBN-001 NMO mount black no logo
HCR8819M3NWN-001 NMO mount white no logo

HCR8819M3PBN-001 P mount black no logo
HCR8819M3WBN-001 P mount white no logo



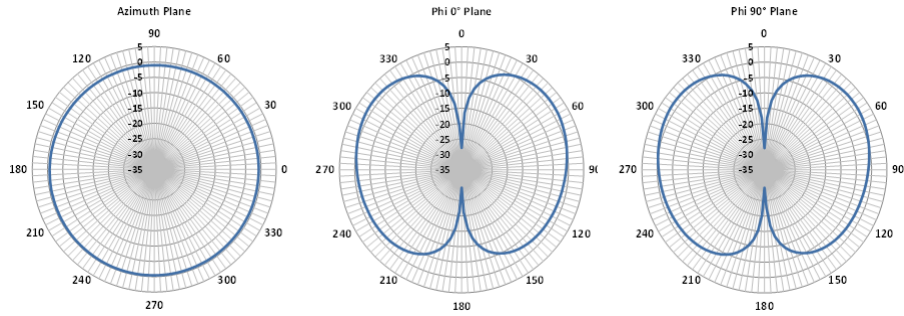
Smart Technology. Delivered.

880-960 MHz/1710-1880 MHz/1850-1990 MHz

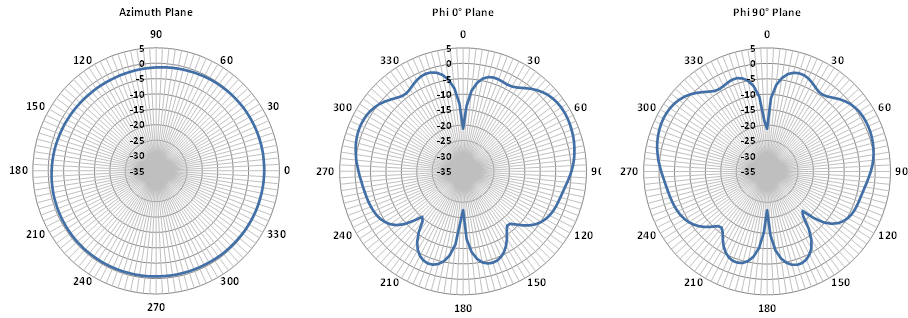
Rotatable Shell Omni-Directional Antenna
HCR8819M3

RADIATION PATTERNS: 30 cm Ground Plane

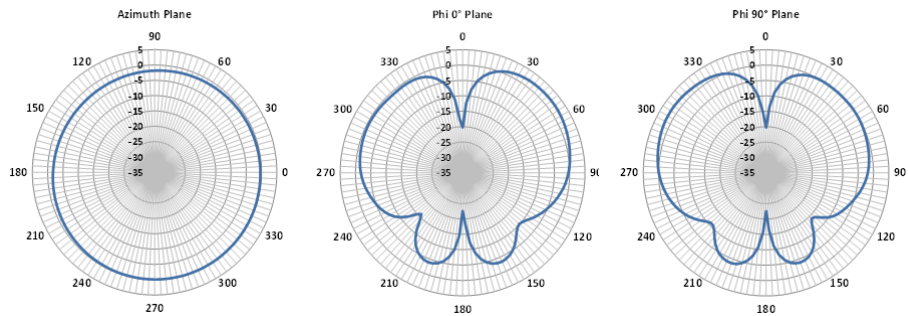
Radiation Pattern at 880 MHz



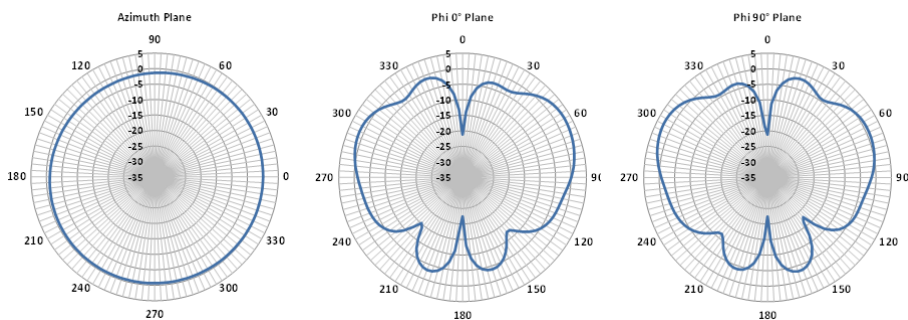
Radiation Pattern at 960 MHz



Radiation Pattern at 1710 MHz



Radiation Pattern at 1990 MHz



IAS-HCR8819M3_031715

Any information furnished by Laird Inc. and its agents is believed to be accurate and reliable. All specifications are subject to change without notice. Responsibility for the use and application of Laird materials rests with the end user, since Laird and its agents cannot be aware of all potential uses. Laird makes no warranties as to the fitness, merchantability or suitability of any Laird materials or products for any specific or general uses. Laird shall not be liable for incidental or consequential damages of any kind. All Laird products are sold pursuant to the Laird Terms and Conditions of sale in effect from time to time, a copy of which will be furnished upon request. © Copyright 2015 Laird Inc. All Rights Reserved. Laird, Laird Technologies, the Laird Logo, and other marks are trademarks or registered trademarks of Laird Inc. or an affiliate company thereof. Other product or service names may be the property of third parties. Nothing herein provides a license under any Laird or any third party intellectual property rights.