

Customer Information Sheet

DRAWING No.: KAI-4240000

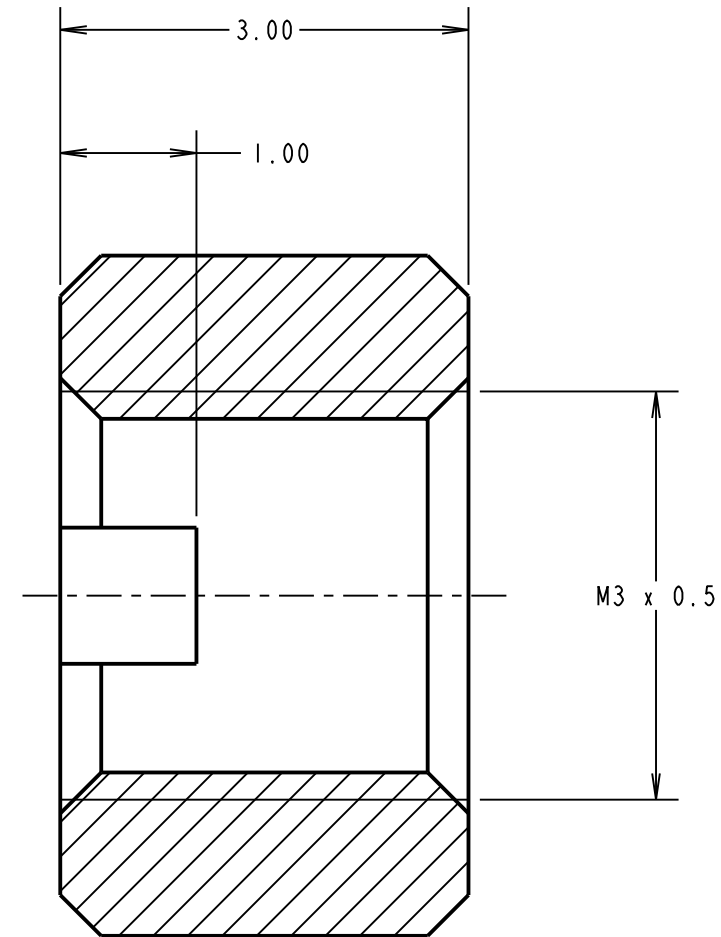
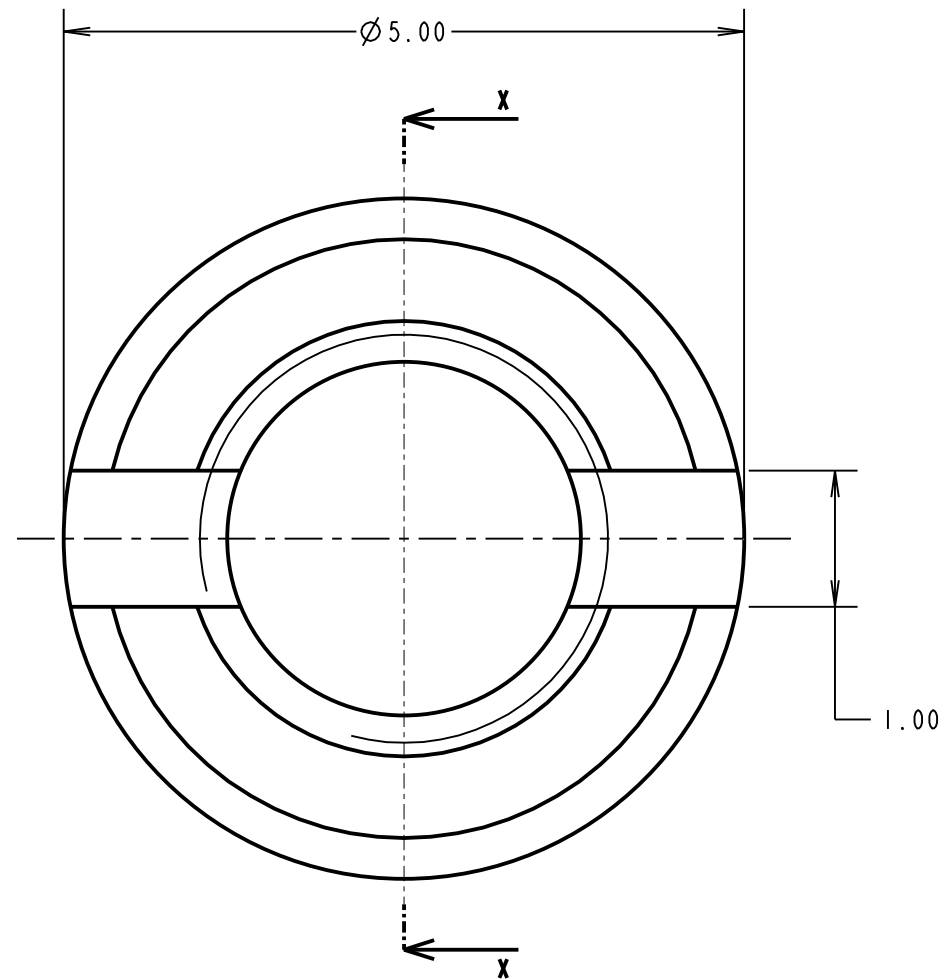
IF IN DOUBT - ASK

©

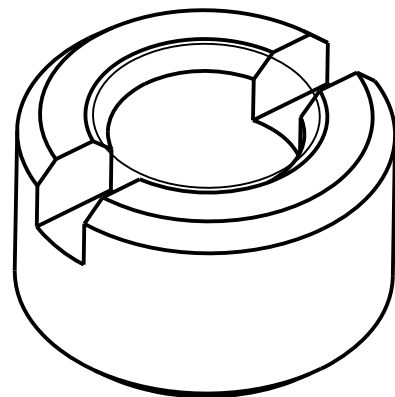
NOT TO SCALE

THIRD ANGLE PROJECTION

ALL DIMENSIONS IN mm



SECTION X-X



NOTES:

1. FOR USE ON KAI KONA SCREW FITTINGS.
2. PACKED IN BAGS OF 20.
3. PART No., QUANTITY AND BATCH No. ARE PRINTED ON BAG.
4. SCREWDRIVER TOOL ZAI-9020000 IS RECOMMENDED FOR USE WITH THIS NUT, WHEN USED ON BOARD AND PANEL MOUNT STUDS.

MR	I	05.11.20	30274
NAME	ISS.	DATE	CN/CO
APPROVED: M.RUDKIN			
CHECKED: R.PORTLOCK			
DRAWN: R.PORTLOCK			
CUSTOMER REF.:			
ASSEMBLY DRG:			

HARWIN

www.harwin.com
technical@harwin.com

THIS DRAWING AND ANY INFORMATION OR DESCRIPTIVE MATTER SET OUT HEREON ARE CONFIDENTIAL AND COPYRIGHT PROPERTY OF THE HARWIN GROUP AND MUST NOT BE DISCLOSED, LOANED, COPIED OR USED FOR MANUFACTURING, TENDERING OR FOR ANY OTHER PURPOSE WITHOUT THEIR WRITTEN PERMISSION.

TOLERANCES

X. = ±1mm
X.X = ±0.50mm
X.XX = ±0.20mm
X.XXX = ±0.01mm
ANGLES = ±5°
UNLESS STATED

MATERIAL:

STAINLESS STEEL

FINISH:

CLEAN

S/AREA:

mm²

TITLE:

KONA SERIES SLOTTED JACK SCREW NUT

DRAWING NUMBER:

KAI-4240000

SHT
2 OF 2