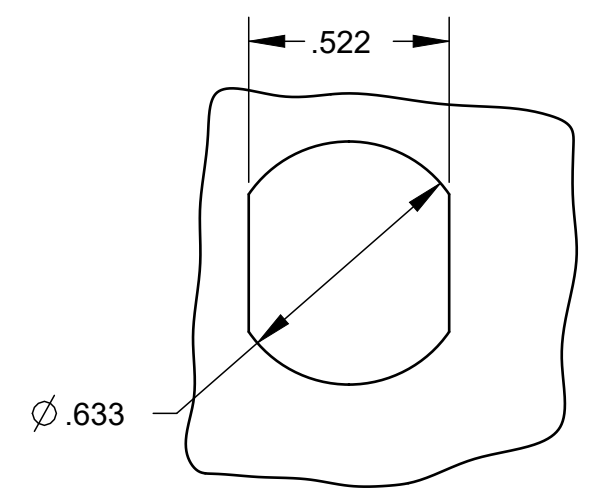


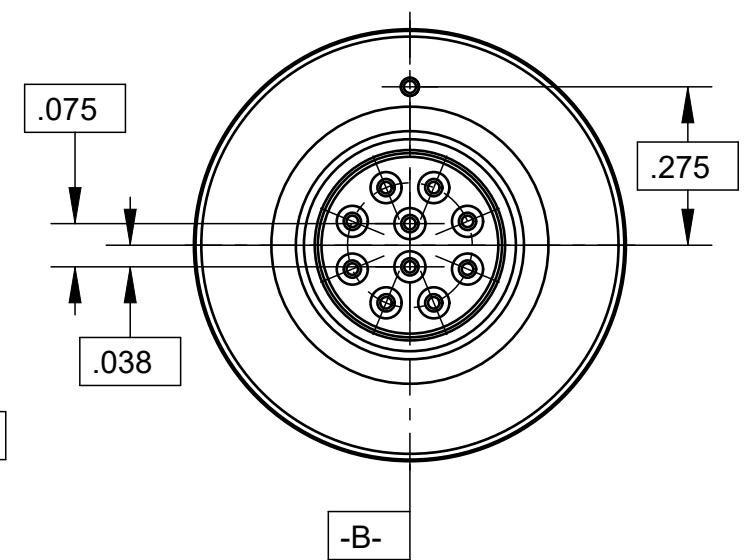
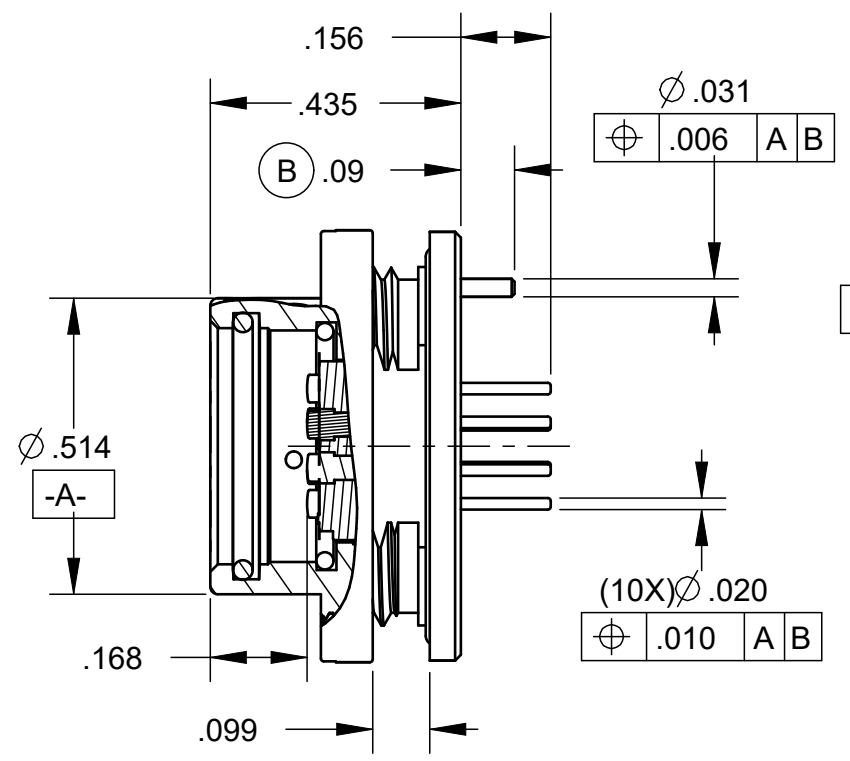
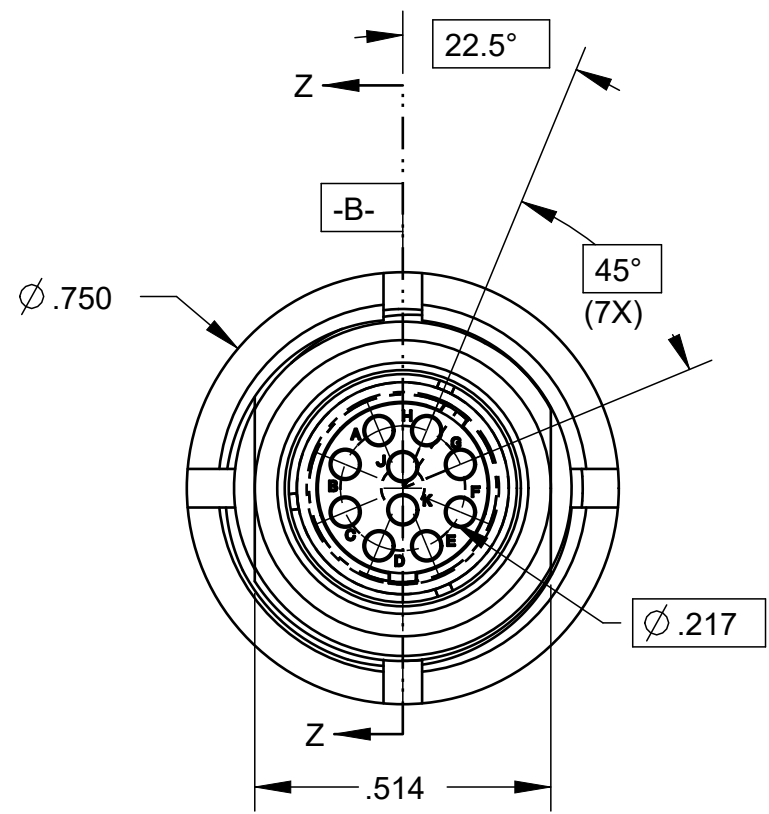
ITEM #	PART #	QTY	DESCRIPTION
1	MAP-60-15B	1	PLUG HOUSING ASS'Y
2	MAP-60-13	1	O-RING, PANEL MOUNT
3	MAP-60-14	1	NUT (PANEL MOUNT)

**B** MAP-60-00B-CP

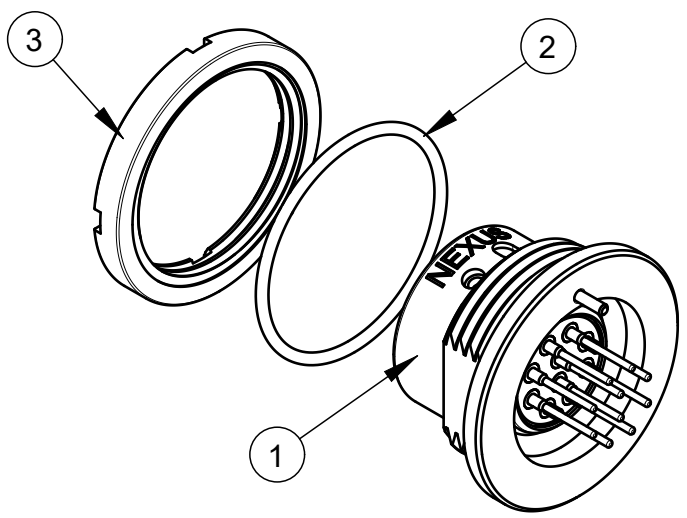
NOTES:  
1) ORDER PART # MAP-60-00B



RECOMMENDED  
PANEL CUTOUT



SECTION Z-Z



THIS DOCUMENT CONTAINS PROPRIETARY INFORMATION OF NEXUS, INCORPORATED AND SUCH INFORMATION MAY NOT BE DISCLOSED TO OTHERS FOR ANY PURPOSE OR USED FOR ANY PURPOSE WITHOUT THE WRITTEN CONSENT OF NEXUS.

LET.	REVISION	CN #	DATE	CHK.
B	WAS .093	1249	3/13 2019	SPL
A	NEW RELEASE	185	10/10 2013	HR

DWN. BY	HR	DATE	10/10/13
CHECKED BY		DATE	
APPR. BY		DATE	

MATERIAL	
FINISH	
WEIGHT	SCALE = 2.00 : 1
TITLE	
10-COND PLUG W/GRND PIN	
PANEL MOUNT	
DO NOT SCALE DWG.	SHEET 1 OF 1

<b>NEXUS</b> STAMFORD, CONN	
<b>B</b>	MAP-60-00B-CP