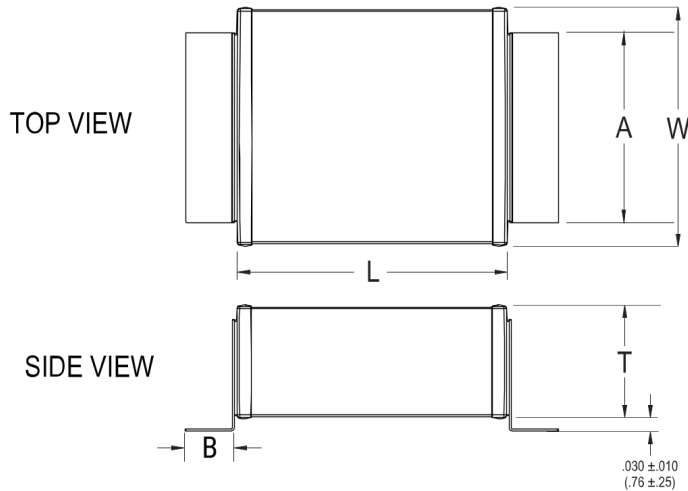


## SM25B474K102AM

KPS SM SMD Indust X7R HV, Ceramic, 0.47 uF, 10%, 1000 VDC, X7R, SMD, Fixed, High Volt, Low ESR, Leaded, Mil-Screen, SM25



Click [here](#) for the 3D model.

### Dimensions

Chip Size	SM25
L	13.97mm +/-0.762mm
W	12.7mm +/-0.762mm
T	5.588mm MAX
A	10.2mm MAX
B	2.54mm +/-0.508mm

### Packaging Specifications

Packaging	Tray
Packaging Quantity	50

### General Information

Series	KPS SM SMD Indust X7R HV
Style	SMD Chip
Description	SMD, Fixed, High Volt, Low ESR, Leaded, Mil-Screen
Features	Low ESR, Mil-Screen
RoHS	With Exemptions
REACH	SVHC (Pb – CAS 7439-92-1)
Termination	Silver
Marking	No
Testing and Reliability	Level A
AEC-Q200	No
Shelf Life	78 Weeks
MSL	1

### Specifications

Capacitance	0.47 uF
Capacitance Tolerance	10%
Voltage DC	1000 VDC
Dielectric Withstanding Voltage	1500 VDC
Temperature Range	-55/+125°C
Temperature Coefficient	X7R
Dissipation Factor	2.5%
Insulation Resistance	2.1 GOhms
Quality Factor	3

Statements of suitability for certain applications are based on our knowledge of typical operating conditions for such applications, but are not intended to constitute - and we specifically disclaim - any warranty concerning suitability for a specific customer application or use. This information is intended for use only by customers who have the requisite experience and capability to determine the correct products for their application. Any technical advice inferred from this information or otherwise provided by us with reference to the use of our products is given gratis, and we assume no obligation or liability for the advice given or results obtained.