

NOTES:

1. FOLD AND TAPE THE BOTTOM FLAPS OF THE CARTON.
2. FOLD AND INSERT TWO TUBE ASSEMBLIES INTO THE CARTON AS SHOWN.
3. PLACE ONE BAG INTO EACH TUBE AND FILL THE BAGS PER THE TABLE WITH APPROXIMATELY THE SAME QUANTITY IN EACH BAG.
4. FOLD OVER THE TOPS OF THE BAGS, THEN FOLD AND TAPE THE TOP FLAPS OF THE CARTON.
5. LABEL AND PALLETIZE IN UP TO 4 LAYERS OF 6 CARTONS AS SHOWN
ALL CARTONS MUST BE AT LEAST 6mm FROM THE EDGES OF THE PALLET.
6. UNITIZE PER E-47799-150.
7. STANDARD PACKAGE QUANTITY (SPQ): PER THE TABLE

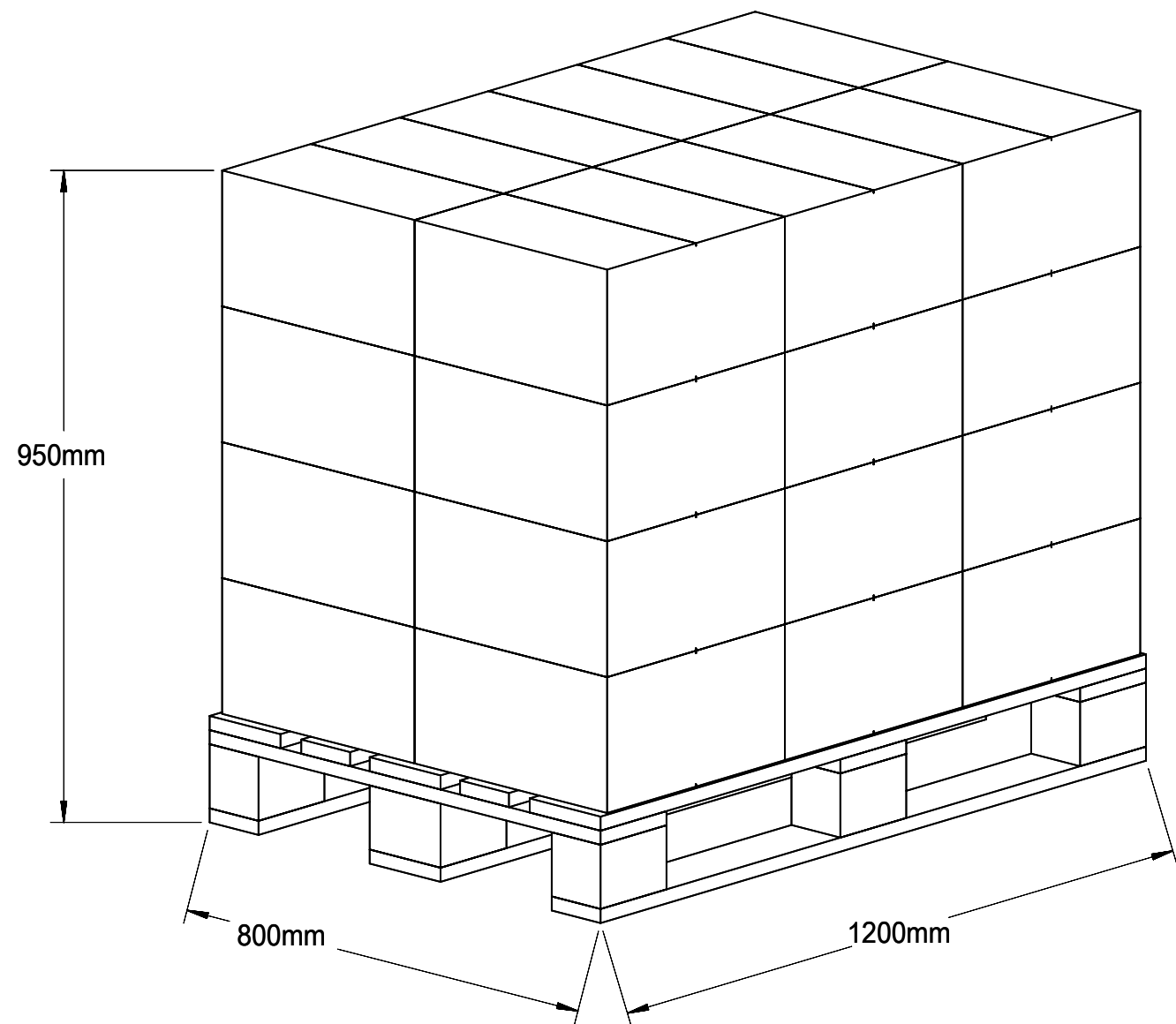


TABLE					
MAT'L #	DESCRIPTION	CARTON #	TUBE ASSY #	BAG #	SPQ
03489920**	1.2MM SEALED 2CK BLADE ASSY	0477991015	0477994003	0477995010	1800
03489925**	1.2MM SEALED 2CK BLADE ASSY	0477991015	0477994003	0477995010	1800TBD
03489930**	1.2MM SEALED 3CK BLADE ASSY	0477991015	0477994003	0477995010	1400
03489931**	1.2MM SEALED 3CK BLADE ASSY	0477991015	0477994003	0477995010	1400TBD
03489935**	1.2MM SEALED 3CK BLADE ASSY	0477991015	0477994003	0477995010	1400TBD
03489936**	1.2MM SEALED 3CK BLADE ASSY	0477991015	0477994003	0477995010	1400TBD
03489940**	1.2MM SEALED 4CK BLADE ASSY	0477991015	0477994003	0477995010	1120
03489945**	1.2MM SEALED 4CK BLADE ASSY	0477991015	0477994003	0477995010	1120TBD
03489960**	1.2MM SEALED 6CK BLADE ASSY	0477991015	0477994003	0477995010	840
03489961**	1.2MM SEALED 6CK BLADE ASSY	0477991015	0477994003	0477995010	840TBD
03489965**	1.2MM SEALED 6CK BLADE ASSY	0477991015	0477994003	0477995010	840TBD
03489966**	1.2MM SEALED 6CK BLADE ASSY	0477991015	0477994003	0477995010	840TBD
03490020**	1.2MM SEALED 2CK RCPT ASSY	0477991015	0477994003	0477995010	3000
03490021**	1.2MM SEALED 2CK RCPT ASSY	0477991015	0477994003	0477995010	3000
03490031**	1.2MM SEALED 3CK RCPT ASSY	0477991015	0477994003	0477995010	2200
03490041**	1.2MM SEALED 4CK RCPT ASSY	0477991015	0477994003	0477995010	1400
03490060**	1.2MM SEALED 6CK RCPT ASSY	0477991015	0477994003	0477995010	1120
03490061**	1.2MM SEALED 6CK RCPT ASSY	0477991015	0477994003	0477995010	1120
0349672001-4	1x2 MINI50 SEALED RCPT	0477991015	0477994003	0477995010	3000TBD
0349672005-8	1x2 MINI50 SEALED RCPT BRIDGE	0477991015	0477994003	0477995010	3000TBD
0349674001-4	1x4 MINI50 SEALED RCPT	0477991015	0477994003	0477995010	2400TBD
0349674005-8	1x4 MINI50 SEALED RCPT BRIDGE	0477991015	0477994003	0477995010	2400TBD
0349671001-4	1x10 MINI50 SEALED RCPT	0477991015	0477994003	0477995010	900TBD
0349671005-8	1x10 MINI50 SEALED RCPT	0477991015	0477994003	0477995010	900TBD
0349671121	1x10 MINI50 SEALED RCPT	0477991015	0477994003	0477995010	900TBD
0349671131	1x10 MINI50 SEALED RCPT	0477991015	0477994003	0477995010	900TBD
0349674021-5	1x4 MINI50 SEALED RCPT	0477991015	0477994003	0477995010	2400TBD
0348550906	12 CKT HS AUTOLINK SEAL PLUG	0477991015	0477994003	0477995010	500TBD
0348550916					
0348595606	12 CKT HS AUTOLINK HSNG	0477991015	0477994003	0477995010	2500
0348595616					
0348595626	PLUG CONN HOUSING POL C	0477991015	0477994003	0477995010	2500
0348596000	12 CKT HS AUTOLINK CPA	0477991015	0477994003	0477995010	10,500
0348605606	12 CKT HS AUTOLINK C-SLOT	0477991015	0477994003	0477995010	680
0348605616					
2004220906	NEW DUMMY PLUG	0477991015	0477994003	0477995010	900
0349671071	1x10 MINI50 SEALED RCPT	0477991015	0477994003	0477995010	900
349671010	1X10 MINI50 BACKSHELL	0477991015	0477994003	0477995010	600

QUALITY SYMBOLS	THIS DRAWING CONTAINS INFORMATION THAT IS PROPRIETARY TO MOLEX ELECTRONIC TECHNOLOGIES, LLC AND SHOULD NOT BE USED WITHOUT WRITTEN PERMISSION		GENERAL TOLERANCES (UNLESS SPECIFIED)		DIMENSION UNITS	SCALE		
▽ = 0	EC NO: 120288 DRWN: LLIU226 CHKD: BYANG05 REV APPR: CBQIU	2017/08/03 2017/08/21 2017/08/25	mm		1:1	4 CELL PARTITION PACK FOR VARIOUS PRODUCTS AND COMPONENTS		
▽ = 0			ANGULAR TOL ± 1.0 °		DRWN BY			DATE
▽ = 0			4 PLACES ±	LLIU226	2017/06/29			
▽ = 0			3 PLACES ±	CHKD BY	DATE			
▽ = 0	2 PLACES ± 0.13	BYANG05	2017/08/21	PACKAGING DESIGN DRAWING		SERIES: 31300 MATERIAL NUMBER: PK-31301-898 CUSTOMER: GENERAL MARKET		
▽ = 0	1 PLACE ± 0.25	APPR BY	DATE	DOCUMENT NUMBER				
▽ = 0	0 PLACES ±	CBQIU	2017/07/17	THIRD ANGLE PROJECTION		DOC TYPE: PDD		
☒ = 0	DRAFT WHERE APPLICABLE MUST REMAIN WITHIN DIMENSIONS		C		DOC PART: 001		SHEET NUMBER: 1 OF 1	