

**SPECIFICATIONS:**

**1. Material:**

- (1). Body: PA46
- (2). Pin: Brass
- (3). Threaded insert: Brass

**2. Wire range: N/A**

**3. Electrical rating: 300V, 15A.**

**4. Wire strip length: N/A**

**5. Operating temperature: -40C to +140C.**

**6. Max torque: N/A**

**7. Insulation resistance: DC 500V, 500M.**

**8. Dielectric withstand: AC 2500V for 1 minute.**

**9. Breakdown voltage: 4000V.**

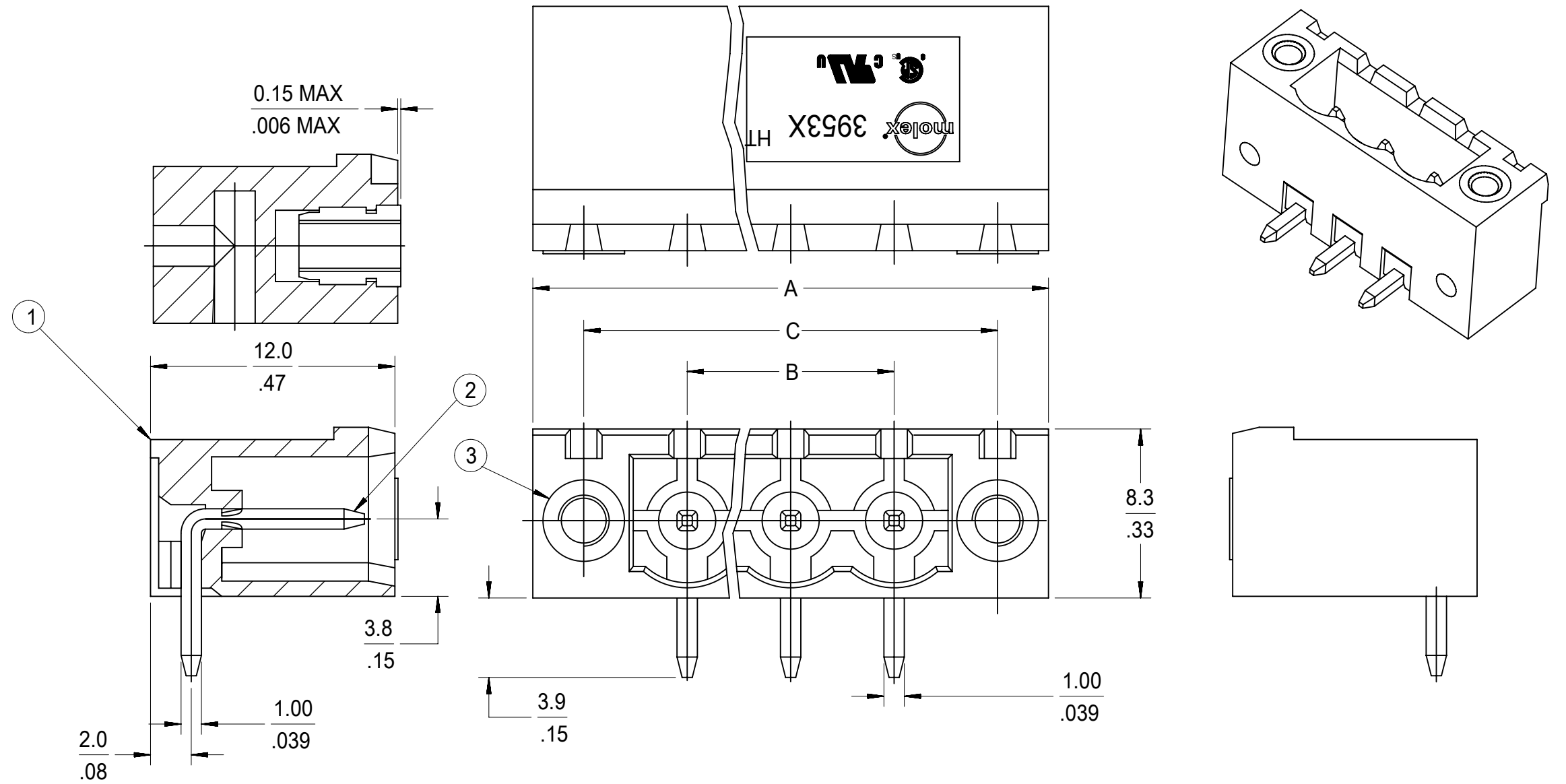
**10. A = (B + 15.24mm)**

**11. B = (N - 1) x P**

**13. C = (B + 10.16mm)**

**12. P (PITCH) = 5.08mm (.200").**

**13. N = Number of positions available 2 through 24.**



TOLERANCES			
MM	TOL	INCH	TOL
0-6	±0.25	0-.24	±.010
>6-30	±0.40	.24-1.18	±.016
>30-120	±0.50	1.18-4.76	±.020
>120	±0.80	>4.76	±.031

<b>SYMBOLS</b> DIMENSION UNITS: MM[INCH] SCALE: 4:1 GENERAL TOLERANCES (UNLESS SPECIFIED): 4 PLACES ± --- ± --- 3 PLACES ± --- ± --- 2 PLACES ± --- ± --- 1 PLACE ± --- ± --- 0 PLACES ± --- ± --- ANGULAR TOL ± ---° DRAFT WHERE APPLICABLE MUST REMAIN WITHIN DIMENSIONS		THIS DRAWING CONTAINS INFORMATION THAT IS PROPRIETARY TO MOLEX ELECTRONIC TECHNOLOGIES, LLC AND SHOULD NOT BE USED WITHOUT WRITTEN PERMISSION CURRENT REV DESC: SEE SHEET 2 EC NO: 175526 DRWN: ABENJAMINLW 2018/04/16 CHK'D: BRUPERT 2018/04/24 APPR: BRUPERT 2018/04/25 INITIAL REVISION: DRWN: LROTHAUS 2005/12/06 APPR:		<b>molex</b> 5.08MM, EURO HEADER, RIGHT ANGLE, HI-TEMP MOUNTING PRODUCT CUSTOMER DRAWING DOCUMENT NUMBER: SD-39536-001 DOC TYPE: PSD DOC PART: 001 REVISION: A2 MATERIAL NUMBER: SEE CHART CUSTOMER: GENERAL MARKET SHEET NUMBER: 1 OF 2	
DOCUMENT STATUS: P1 RELEASE DATE: 2018/04/25 16:41:17	THIRD ANGLE PROJECTION	DRAWING: B-SIZE	SERIES: 39536	SEE CHART	GENERAL MARKET

E

D



C

B

A

Description	Circuit size	Material Numbers						Dimensional Information					
		Black											
		100% Tin			30 u" Gold			Dim. A		Dim B		Dim. C	
		Printing Options			Printing Options			mm	inch	mm	inch	mm	inch
		None	10A	11A	None	10A	11A						
5.08mm, Euro Header, Right Angle, Mounting Ends, High Temp	2	395364002	395364102	395364202	395364502	395364602	395364702	20.32	0.800	5.08	0.200	15.24	0.600
5.08mm, Euro Header, Right Angle, Mounting Ends, High Temp	3	395364003	395364103	395364203	395364503	395364603	395364703	25.40	1.000	10.16	0.400	20.32	0.800
5.08mm, Euro Header, Right Angle, Mounting Ends, High Temp	4	395364004	395364104	395364204	395364504	395364604	395364704	30.48	1.200	15.24	0.600	25.40	1.000

TOLERANCES			
MM	TOL	INCH	TOL
0-6	±0.25	0-.24	±.010
>6-30	±0.40	.24-1.18	±.016
>30-120	±0.50	1.18-4.76	±.020
>120	±0.80	>4.76	±.031

SYMBOLS	THIS DRAWING CONTAINS INFORMATION THAT IS PROPRIETARY TO MOLEX ELECTRONIC TECHNOLOGIES, LLC AND SHOULD NOT BE USED WITHOUT WRITTEN PERMISSION													
	DIMENSION UNITS	SCALE		CURRENT REV DESC: TABLE EDITED										
▽ = 0	MM[INCH]	4:1												
▽ = 0	GENERAL TOLERANCES (UNLESS SPECIFIED)											EC NO: 175526 DRWN: ABENJAMINLW 2018/04/16 CHK'D: BRUPERT 2018/04/24 APPR: BRUPERT 2018/04/25		
▽ = 0		MM	INCH											
▽ = 0	4 PLACES	±	---	±	---	INITIAL REVISION:						DOCUMENT NUMBER <b>SD-39536-001</b>		
▽ = 0	3 PLACES	±	---	±	---	DRWN: LROTHAUS 2005/12/06								
▽ = 0	2 PLACES	±	---	±	---	APPR:						DOC TYPE	DOC PART	REVISION
▽ = 0	1 PLACE	±	---	±	---							PSD	001	A2
▽ = 0	0 PLACES	±	---	±	---							MATERIAL NUMBER	CUSTOMER	SHEET NUMBER
□ = 0	ANGULAR TOL ± ...°			THIRD ANGLE PROJECTION		DRAWING	SERIES	SEE CHART		GENERAL MARKET		2 OF 2		
■ = 0	DRAFT WHERE APPLICABLE MUST REMAIN WITHIN DIMENSIONS					B-SIZE	39536							
▽ = 0														

E

D

C

B

A

Description	Circuit Size	National Numbers											Dimensional Information										
		Hacker					Green						Dim. A		Dim. D		Dim. C						
		100% Tin			30 u" Cold		100% Tin			30 u" Cold			mm	inch	mm	inch	mm	inch					
		Printing Options			Printing Options		Printing Options			Printing Options													
		None	10A	11A	None	10A	11A	None	10A	11A	None	10A	11A	None	10A	11A	mm	inch	mm	inch	mm	inch	
5.08mm, Euro Header, Right Angle, Mounting Ends, High Temp	2	395364002	395364102	395364202	395364502	395364802	395364702	395369002	395369102	395369202	395369502	395369802	395369702	20.32	0.800	5.00	0.200	15.24	0.600				
5.08mm, Euro Header, Right Angle, Mounting Ends, High Temp	3	395364003	395364103	395364203	395364503	395364803	395364703	395369003	395369103	395369203	395369503	395369803	395369703	25.40	1.000	10.16	0.400	20.32	0.800				
5.08mm, Euro Header, Right Angle, Mounting Ends, High Temp	4	395364004	395364104	395364204	395364504	395364804	395364704	395369004	395369104	395369204	395369504	395369804	395369704	30.48	1.200	15.24	0.600	25.40	1.000				
5.08mm, Euro Header, Right Angle, Mounting Ends, High Temp	5	395364005	395364105	395364205	395364505	395364805	395364705	395369005	395369105	395369205	395369505	395369805	395369705	35.56	1.400	20.32	0.800	30.49	1.200				
5.08mm, Euro Header, Right Angle, Mounting Ends, High Temp	6	395364006	395364106	395364206	395364506	395364806	395364706	395369006	395369106	395369206	395369506	395369806	395369706	40.64	1.600	25.40	1.000	35.56	1.400				
5.08mm, Euro Header, Right Angle, Mounting Ends, High Temp	7	395364007	395364107	395364207	395364507	395364807	395364707	395369007	395369107	395369207	395369507	395369807	395369707	45.72	1.800	30.48	1.200	40.61	1.600				
5.08mm, Euro Header, Right Angle, Mounting Ends, High Temp	8	395364008	395364108	395364208	395364508	395364808	395364708	395369008	395369108	395369208	395369508	395369808	395369708	50.80	2.000	35.56	1.400	45.72	1.800				
5.08mm, Euro Header, Right Angle, Mounting Ends, High Temp	9	395364009	395364109	395364209	395364509	395364809	395364709	395369009	395369109	395369209	395369509	395369809	395369709	55.88	2.200	40.64	1.600	50.80	2.000				
5.08mm, Euro Header, Right Angle, Mounting Ends, High Temp	10	395364010	395364110	395364210	395364510	395364810	395364710	395369010	395369110	395369210	395369510	395369810	395369710	60.96	2.400	45.72	1.800	55.89	2.200				
5.08mm, Euro Header, Right Angle, Mounting Ends, High Temp	11	395364011	395364111	395364211	395364511	395364811	395364711	395369011	395369111	395369211	395369511	395369811	395369711	66.04	2.600	50.80	2.000	60.96	2.400				
5.08mm, Euro Header, Right Angle, Mounting Ends, High Temp	12	395364012	395364112	395364212	395364512	395364812	395364712	395369012	395369112	395369212	395369512	395369812	395369712	71.12	2.800	55.88	2.200	66.04	2.600				
5.08mm, Euro Header, Right Angle, Mounting Ends, High Temp	13	395364013	395364113	395364213	395364513	395364813	395364713	395369013	395369113	395369213	395369513	395369813	395369713	76.20	3.000	60.96	2.400	71.12	2.800				
5.08mm, Euro Header, Right Angle, Mounting Ends, High Temp	14	395364014	395364114	395364214	395364514	395364814	395364714	395369014	395369114	395369214	395369514	395369814	395369714	81.28	3.200	66.04	2.600	76.20	3.000				
5.08mm, Euro Header, Right Angle, Mounting Ends, High Temp	15	395364015	395364115	395364215	395364515	395364815	395364715	395369015	395369115	395369215	395369515	395369815	395369715	86.36	3.400	71.12	2.800	81.28	3.200				
5.08mm, Euro Header, Right Angle, Mounting Ends, High Temp	16	395364016	395364116	395364216	395364516	395364816	395364716	395369016	395369116	395369216	395369516	395369816	395369716	91.44	3.600	76.20	3.000	86.36	3.400				
5.08mm, Euro Header, Right Angle, Mounting Ends, High Temp	17	395364017	395364117	395364217	395364517	395364817	395364717	395369017	395369117	395369217	395369517	395369817	395369717	96.52	3.800	81.28	3.200	91.41	3.600				
5.08mm, Euro Header, Right Angle, Mounting Ends, High Temp	18	395364018	395364118	395364218	395364518	395364818	395364718	395369018	395369118	395369218	395369518	395369818	395369718	101.60	4.000	86.36	3.400	96.52	3.800				
5.08mm, Euro Header, Right Angle, Mounting Ends, High Temp	19	395364019	395364119	395364219	395364519	395364819	395364719	395369019	395369119	395369219	395369519	395369819	395369719	106.68	4.200	91.44	3.600	101.60	4.000				
5.08mm, Euro Header, Right Angle, Mounting Ends, High Temp	20	395364020	395364120	395364220	395364520	395364820	395364720	395369020	395369120	395369220	395369520	395369820	395369720	111.76	4.400	96.52	3.800	106.68	4.200				
5.08mm, Euro Header, Right Angle, Mounting Ends, High Temp	21	395364021	395364121	395364221	395364521	395364821	395364721	395369021	395369121	395369221	395369521	395369821	395369721	116.84	4.600	101.60	4.000	111.76	4.400				
5.08mm, Euro Header, Right Angle, Mounting Ends, High Temp	22	395364022	395364122	395364222	395364522	395364822	395364722	395369022	395369122	395369222	395369522	395369822	395369722	121.92	4.800	106.68	4.200	116.84	4.600				
5.08mm, Euro Header, Right Angle, Mounting Ends, High Temp	23	395364023	395364123	395364223	395364523	395364823	395364723	395369023	395369123	395369223	395369523	395369823	395369723	127.00	5.000	111.76	4.400	121.92	4.800				
5.08mm, Euro Header, Right Angle, Mounting Ends, High Temp	24	395364024	395364124	395364224	395364524	395364824	395364724	395369024	395369124	395369224	395369524	395369824	395369724	132.08	5.200	116.84	4.600	127.00	5.000				

TOLERANCES			
MM	TOL	INCH	TOL
0-6	±0.25	0-.24	±.010
>6-30	±0.40	.24-1.18	±.016
>30-120	±0.50	1.18-4.76	±.020
>120	±0.80	>4.76	±.031

REVISED DOC TOL  
 EC NO: PG2017-0861  
 DRAWN: CRADDOREWS 2017/03/24  
 CHKD:  
 APPR: BRUPERT 2017/04/18

DESCRIPTION  
 QUALITY SYMBOLS  
 ▽=0  
 ▽=0

GENERAL TOLERANCES (UNLESS SPECIFIED)

	mm	INCH
4 PLACES	± ---	± ---
3 PLACES	± ---	± ---
2 PLACES	± ---	± ---
1 PLACE	± ---	± ---

ANGULAR ± ---°

DRAFT WHERE APPLICABLE  
 MUST REMAIN WITHIN DIMENSIONS

DIMENSION STYLE  
**MM/IN**

DRAWN BY DATE  
 LROTHAUS 12/6/05

CHECKED BY DATE  
 C. YORK 01/05/06

APPROVED BY DATE

MATERIAL NO.  
**SEE CHART**

SIZE  
**B**

SCALE  
**INCH**

DESIGN UNITS  
**INCH**

THIRD ANGLE PROJECTION

TITLE  
**5.08MM, EURO HEADER, RIGHT ANGLE, HI-TEMP MOUNTING**

**molex** MOLEX INCORPORATED

DOCUMENT NO.  
**SD-39536-001**

SHEET NO.  
**2 OF 2**

THIS DRAWING CONTAINS INFORMATION THAT IS PROPRIETARY TO MOLEX INCORPORATED AND SHOULD NOT BE USED WITHOUT WRITTEN PERMISSION