

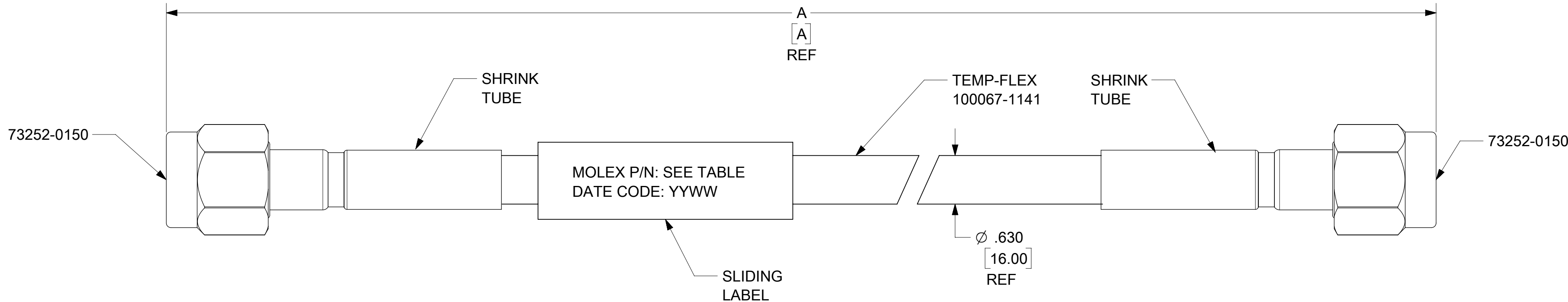
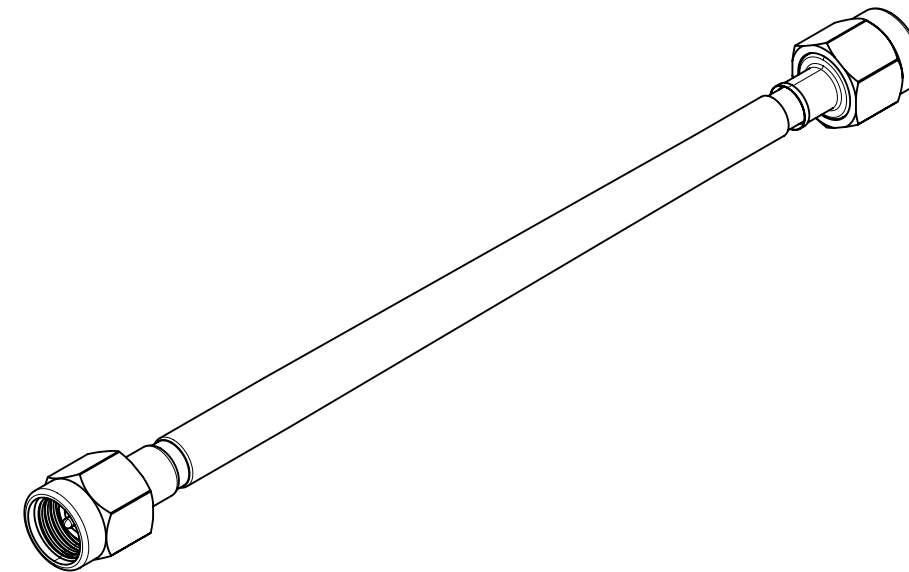
MATERIALS AND FINISHES

2.92 PLUG:
SEE SD-73252-015

CABLE:
TEMP-FLEX 100067-1141

LABEL:
BRADY PERMASLEEVE

SHRINK TUBE:
VERSAFIT OR EQUIVALENT



89762-1625	120.0	3048	9.9
89762-1624	18.00	457.20	1.57
89762-1623	15.00	381.00	1.33
89762-1622	12.00	304.80	1.08
89762-1621	9.00	228.6	0.84
89762-1620	6.00	152.4	0.59
PART NO.	IN	MM	INSERTION LOSS MAX TO 34 GHz (dB)
	A		VSWR 1.45 MAX TO 34 GHz

THIS DRAWING CONTAINS INFORMATION THAT IS PROPRIETARY TO MOLEX ELECTRONIC TECHNOLOGIES, LLC AND SHOULD NOT BE USED WITHOUT WRITTEN PERMISSION

QUALITY SYMBOLS ▽ = 0 ▽ = 0 ▽ = 0 ▼ = 0 ▽ = 0 ⊠ = 0 ■ = 0 ▽ = 0	MIRGRADED & REVISED EC NO: 113168 DRWN: PSWAMI02 CHKD: PSWAMI02 2017/01/23 2017/02/22 2017/02/22 APPR: AROBERTSON	GENERAL TOLERANCES (UNLESS SPECIFIED)		DIMENSION UNITS INCH		SCALE							
		4 PLACES ± ±	DRWN BY AROBERTSON	DATE 2014/03/27	<p>2.92 PLUG ST X2 ON TEMP-FLEX 100067-1141 CA-292/292, EWR-10514-A</p> <p>PRODUCT CUSTOMER DRAWING</p> <table border="1"> <tr> <td>SERIES</td> <td>MATERIAL NUMBER</td> <td>CUSTOMER</td> </tr> <tr> <td>89762</td> <td>SEE TABLE</td> <td></td> </tr> </table>			SERIES	MATERIAL NUMBER	CUSTOMER	89762	SEE TABLE	
		SERIES	MATERIAL NUMBER	CUSTOMER									
		89762	SEE TABLE										
3 PLACES ± ± 0.01	CHK'D BY PSWAMI02	DATE 2017/02/22											
2 PLACES ± 0.25 ±	APPR BY WSPINK	DATE 2014/03/28											
1 PLACES ± ±	ANGULAR TOL ±		DRAWING SIZE C	THIRD ANGLE PROJECTION									
0 PLACES ± ±	DRAFT WHERE APPLICABLE MUST REMAIN WITHIN DIMENSIONS		DOCUMENT NUMBER SD-89762-162										
			DOC TYPE PSD	DOC PART 000	SHEET NUMBER 1 OF 1								

RELEASE STATUS	RELEASE DATE
----------------	--------------