

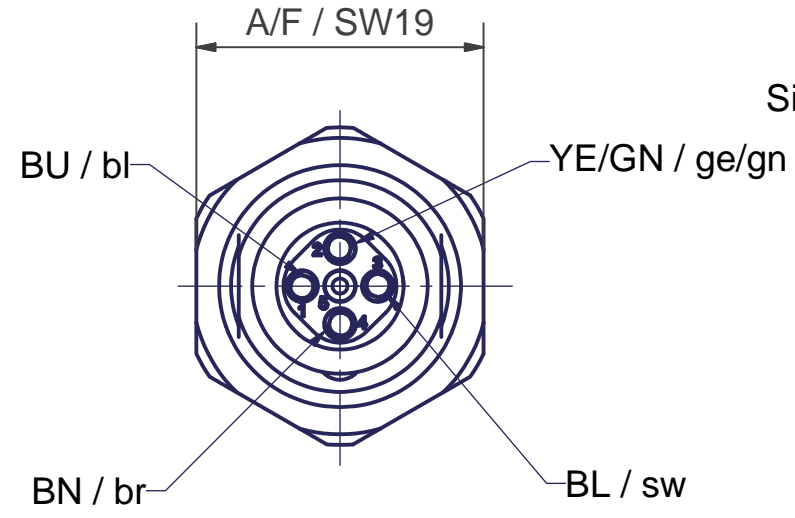
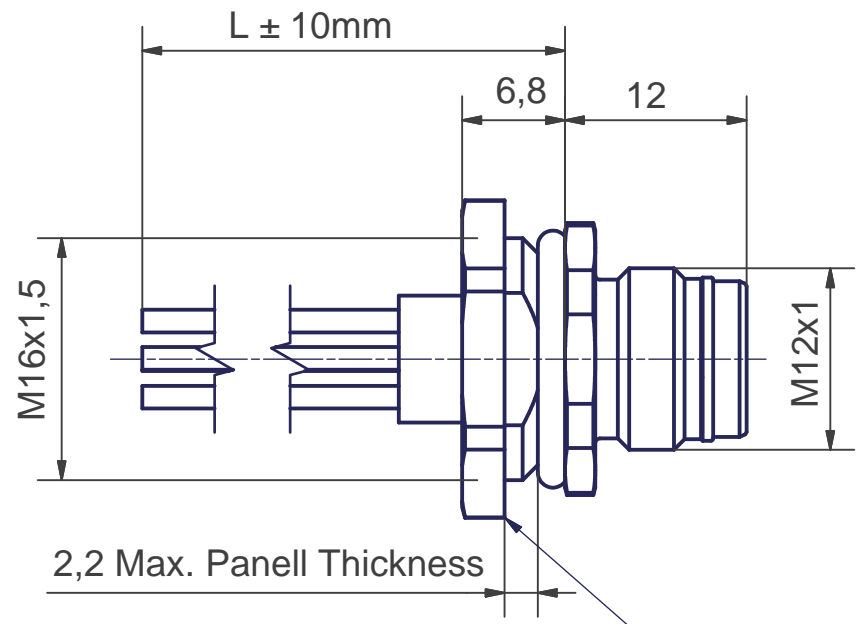
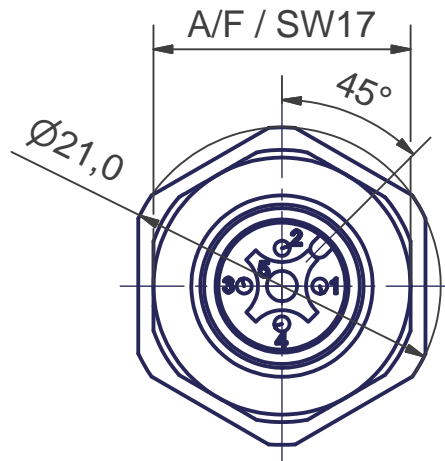
SAP Nr.	Engineering p/n	L
1200845094	WR4U26E18C300	300mm

Customer Release

Date: _____

Name: _____

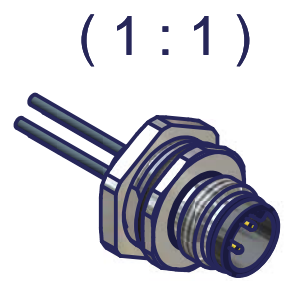
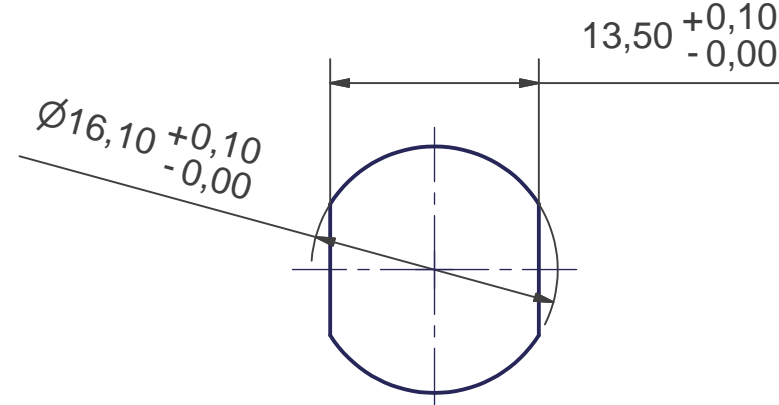
Signature: _____



Max. Torque /
Max. Anzugsdrehmoment:
1,0 Nm

Allgemeine Kennwerte General Characteristics		Norm Standard			
Polzahl	Number of contacts		4		
Kontaktanordnung	Contact configuration	IEC 947-5-2			
Bemessungsspannung	Rated Voltage	IEC 664	250V AC / DC		
Verschmutzungsgrad	Pollution Degree	IEC 664	3		
Betriebsstrom	Current carrying capacity	IEC 512-3 Test 5 b	4A		
Durchgangswiderstand	Contact Resistance	IEC 512-2 Test 2 A	< 5mOhm		
Bemessungsstoßspannung	Rated Impulse Withstand Voltage	IEC 664	2kV		
Prüfspannung	Test Voltage	IEC 60512-2 Test 4 A	1 kV / 60 sec		
Isolationswiderstand	Insulation Resistance	IEC 512-2 Test 3 A	> 10 GOhm		
IP - Schutzart	IP Degree Of Protection	IEC 529	IP 67		
Stift Durchmesser	Pin Diameter		1,0mm		
Werkstoffe	Kontakte	Materials	Kupferlegierung / copper alloy		
	Kontaktoberfläche		Au/Ni		
	Kontaktträger		PA 6.6		
	Dichtung (O-Ring)		NBR		
	Gehäuse		CuZn (brass) mit Ni-Oberfläche Nickel Plated		
Anschlußart	Termination		Crimp		
Brennbarkeit	Kontaktträger	Flammfähigkeit	Inserts	UL 94	V-0
	Leitung / Kabel		Cable		
UL - Style Kabel	UL - Style Cable	UL 94		UL 1007 / cUL1569	
Kabelhersteller	Cable Supplier			MEDI - Kabelhandels GmbH	
Mechanische Lebensdauer	Mechanical Operation			100 Steckzyklen / Mating Cycles	
Temperaturbereich	Temperature Range	IEC 60668-1		-25°C / +90°C	

Cutout / Ausschnitt



RoHs compliant / konform

This drawing and its contents are the proprietary and confidential property of Woodhead Industries Inc. and/or its subsidiaries and may not be used or disclosed to others without the express prior written consent of Woodhead Industries Inc. and/or its subsidiaries.					
		UNLESS OTHERWISE SPECIFIED x = ± 1 X.X = ± 0,1 X.XX = ± 0,05 Winkel = 1°		Scale 2:1 (1:1)	Dimensions mm
PROJECTION 1 : GER				Material	
				Finish	
		Date	Name	MIC 4P ULOCK REC FRONT M16x1,5 AWG18	
		PROC 19.11.2008	US	Eng.No: WR4U26E18C300	
		CHK 18.12.2008	FP	SPR 080245	
		Norm. 18.12.2008	FP	SD-120084-071	
		Woodhead Connectivity GmbH		Sheet 1	
		Gewerbestraße 60 75015 Bretten-Gölshausen Tel.: 07252/9496-0 Fax: 07252/9496-199		A3	
02	WEU2009-0202	18.12.08	US	Filename SD-120084-071.idw	
01	Initial Release	19.11.08	US		
Rev.	Change	Date	Name		