

Technical Data:

| | |
|------------------------------|------------------|
| Number of positions | 5 + PE |
| Number of contacts | 6 |
| Contact Ø [mm] | 2 |
| Nominal current [A] | 18 |
| Nominal voltage [V~] | 600 |
| Degree of pollution 3 | |
| Test voltage [V~] | 1700 |
| Max. contact resistance [mΩ] | 3 |
| Insulation resistance [MΩ] | >100 |
| Protection | IP67 (connected) |
| Temperature range (fixed) | -40°C to 90°C |
| Temperature range (flex) | -25°C to 80°C |

Further details see Product Specification 1204800050
The cordsets delivered packed into carton without PE-bag

Wiring Diagram
Connection: IN-LINE

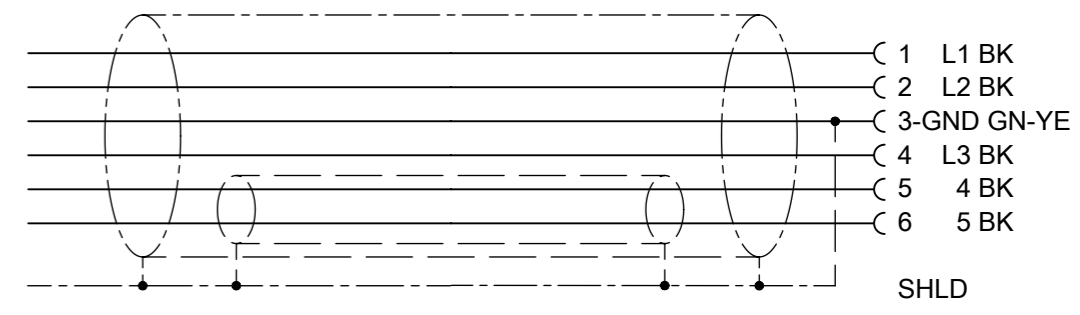


TABLE 1

| MOLEX PN | L [mm] | Tol. [mm] |
|------------|--------|-----------|
| 1204800677 | 1000 | +40 |
| 1204800678 | 2000 | +60 |
| 1204800679 | 3000 | +60 |
| 1204800680 | 4000 | +60 |
| 1204800681 | 5000 | +60 |
| 1204800682 | 10000 | +80 |
| 1204800683 | 15000 | +140 |
| 1204800684 | 20000 | +140 |

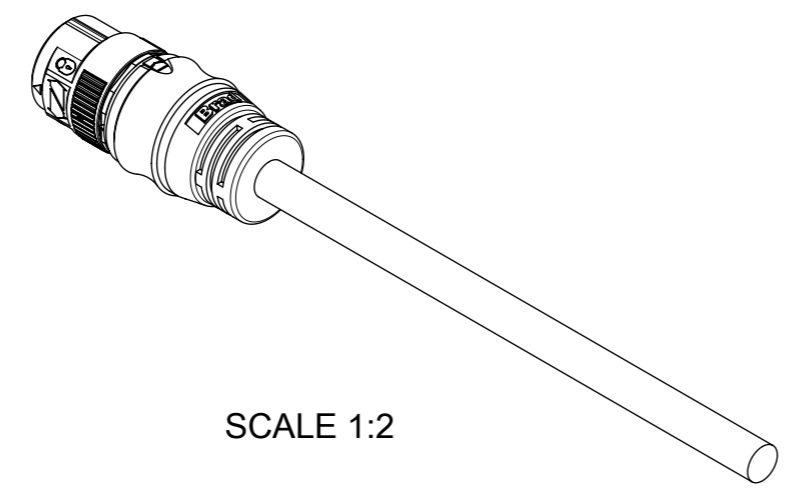


TABLE 2

| POS | QTY | DESCRIPTION |
|-----|-----|--|
| 1 | 1 | PLG M23QC 5P+PE PC FE STR SHLD |
| 2 | 1 | CABLE 4X1.5+(2X1.5) WSOR OR D11.1 SHLD |

| | | | | | | |
|--|---|--------------------------|-----------------|---------------------------------------|----------------------|--|
| SYMBOLS THIS DRAWING CONTAINS INFORMATION THAT IS PROPRIETARY TO MOLEX ELECTRONIC TECHNOLOGIES, LLC AND SHOULD NOT BE USED WITHOUT WRITTEN PERMISSION DIMENSION UNITS: mm SCALE: 1:1 GENERAL TOLERANCES (UNLESS SPECIFIED): ANGULAR TOL ± 1.0° 4 PLACES ± 3 PLACES ± 2 PLACES ± 0.05 1 PLACE ± 0.3 0 PLACES ± 0.5 DRAFT WHERE APPLICABLE MUST REMAIN WITHIN DIMENSIONS THIRD ANGLE PROJECTION | CURRENT REV DESC: EC NO: 625960 DRWN: THAERDT 2019/10/21 CHK'D: RSILLER 2019/11/21 APPR: RSILLER 2019/11/21 INITIAL REVISION: DRWN: MSCHERER 2018/06/29 APPR: RSILLER 2019/11/21 | | | CSE M23 6P PC FE STR WSOR XM SHLD | | |
| | PRODUCT CUSTOMER DRAWING | | | | | |
| | DOCUMENT NUMBER: 1204800677 | | DOC TYPE: PSD | DOC PART: 000 | REVISION: A | |
| | MATERIAL NUMBER: SEE TABLE 1 | CUSTOMER: GENERAL MARKET | SERIES: A3-SIZE | 120480 | SHEET NUMBER: 1 OF 1 | |