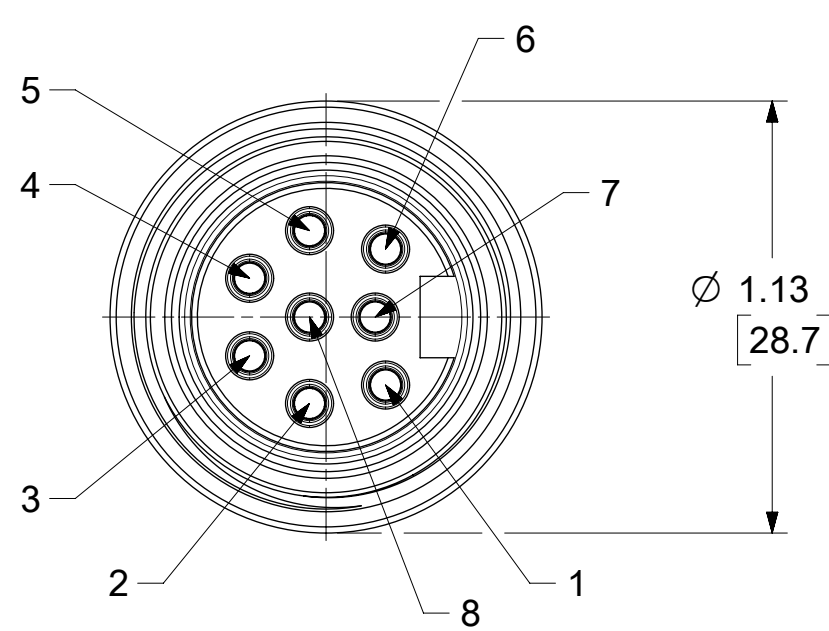
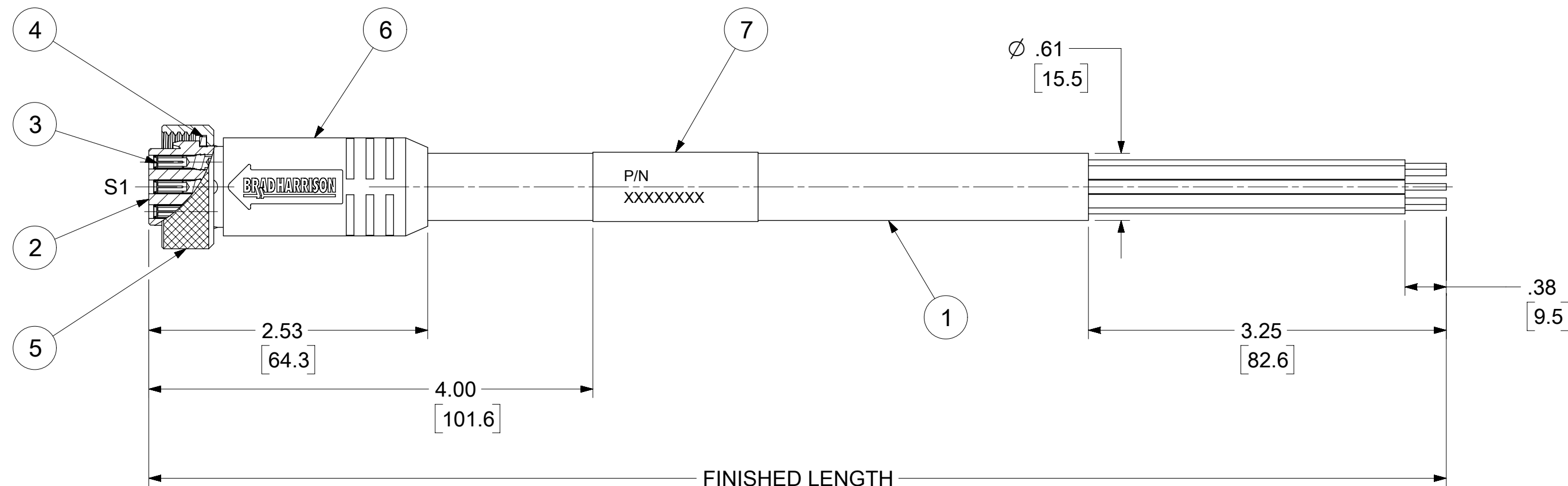


MATERIAL NO.	ENGINEERING NO.	FINISHED LENGTH
1300070140	208000A01F0301	3 FT (0.91 M)
1300070143	208000A01F0601	6 FT (1.82 M)
1300070146	208000A01F1201	12 FT (3.65 M)
1300070150	208000A01F2001	20 FT (6.09 M)

CABLE LENGTH TOLERANCES	
<.3M [1FT]	+19mm-0 [+.75in-0]
.3 - .9M [1 - 3FT]	+44.5mm-0 [+1.75in-0]
.9 - 1.8M [3 - 6FT]	+55.6mm-0 [+2.19in-0]
1.8 - 3.7M [6 - 12FT]	+88.9mm-0 [+3.50in-0]
3.7 - 7.3M [12 - 24FT]	+165.1mm-0 [+6.50in-0]
7.3-14.6M [24 - 48FT]	+317.5mm-0 [+12.50in-0]
14.6 - 30.5M [48-100FT]	+622.3mm-0 [+24.50in-0]
OVER 30M [100FT]	+2% OF FINISHED LENGTH



FEMALE FACE VIEW
SCALE: 2X



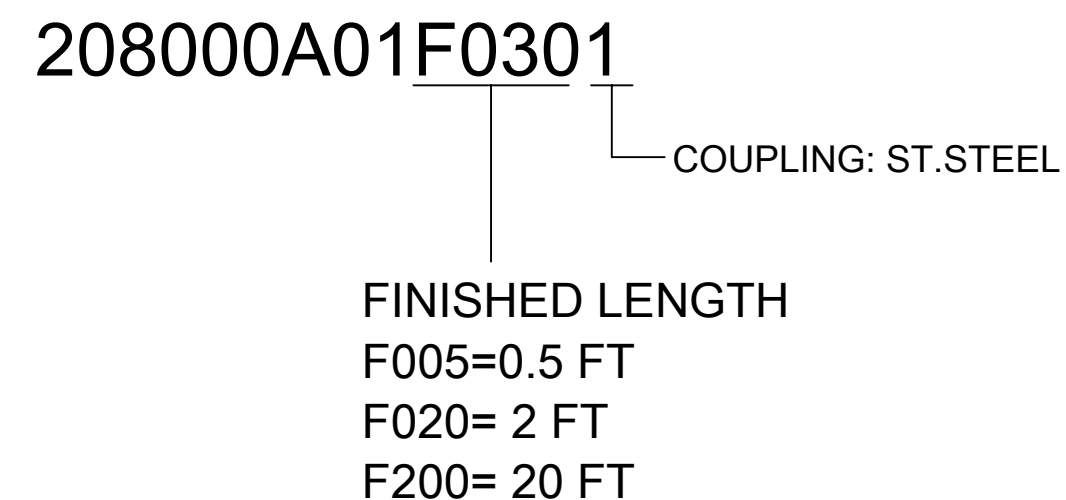
NOTES:

- MATERIAL: AS NOTED
- FINISH: AS NOTED
- ELECTRICAL:
VOLTAGE: 320V PER IEC60664
600V PER UL2238
CURRENT: 7A
- TEMP RATING: -20°C TO +105°C
- PROTECTION: IP67 (WHEN MATED)
- CSA CERTIFIED FILE: LR6837
- UL RECOGNIZED FILE: E152210
- ASSEMBLY IS ROHS COMPLIANT
- ALL DIMS ARE FOR REFERENCE UNLESS TOLERANCED OR NOTED OTHERWISE

WIRING DIAGRAM

S1	Color
1	ORANGE
2	BLUE
3	WHITE/BLACK
4	BLACK
5	WHITE
6	RED
7	GREEN/YELLOW
8	RED/BLACK

PART NUMBER LEGEND



ITEM	DESCRIPTION	MATERIAL	FINISH
7	LABEL	VINYL	BLACK/YELLOW
6	OVERMOLD	TPE	YELLOW
5	COUPLING NUT	ST.STEEL	PASSIVATED
4	FRICION RING	NYLON	WHITE
3	SOCKET CONTACT	Cu ALLOY	GOLD OVER NICKEL
2	FEMALE INSERT	TPE	YELLOW
1	CABLE, 16-8, STOOW/ST	PVC JACKET	YELLOW

FUNCTIONAL SYMBOLS										
FA = 0	DIMENSION UNITS		SCALE		CURRENT REV DESC: INITIAL RELEASE					
FC = 0	INCH/MM		1:1		EC NO: 709518 DRWN: RSTONE 2022/06/06 CHK'D: MZIELINSKI 2022/06/07 APPR: BWOODMAN 2022/06/09 INITIAL REVISION: DRWN: RSTONE 2022/06/06 APPR: BWOODMAN 2022/06/09					
FP = 0	GENERAL TOLERANCES (UNLESS SPECIFIED)									
DIVISIONAL SYMBOLS		MM	INCH	PRODUCT CUSTOMER DRAWING						
		4 PLACES ±	±	DOCUMENT NUMBER						
		3 PLACES ±	±	1300070140						
		2 PLACES ±	±	PSD 000 A						
		1 PLACE ±	±	MATERIAL NUMBER						
		0 PLACES ±	±	CUSTOMER						
		ANGULAR TOL ± °		SHEET NUMBER						
		DRAFT WHERE APPLICABLE MUST REMAIN WITHIN DIMENSIONS		1 OF 1						