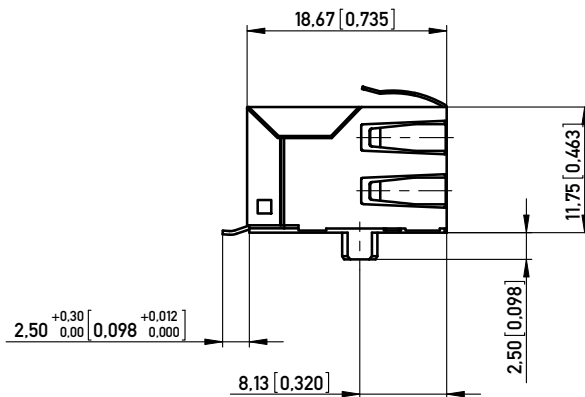
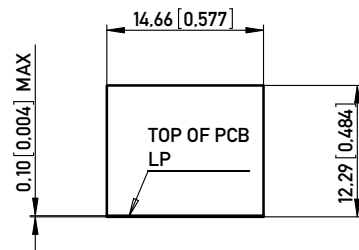
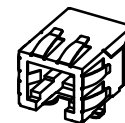
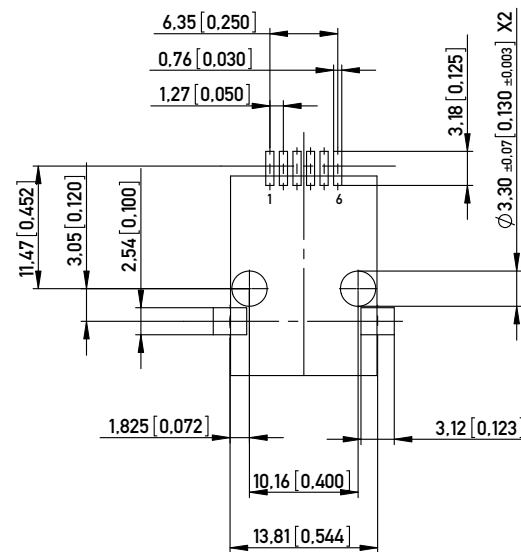


RECOMMENDED PANEL CUTOUT  
EMPFOHLENER FRONTPLATTEN-AUSSCHNITT

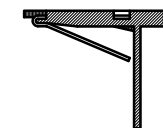


RECOMMENDED PCB LAYOUT (COMPONENT SIDE VIEW)  
EMPFOHLENES LEITERPLATTEN-LAYOUT (BESTUECKUNGSSEITE)  
TOL. ±0.05 [0.002] UNLESS NOTED



1:1

IMPROVED CONTACT DESIGN  
(PRE BEND)



Technical specifications

Materials & Finish	Standard applic.	Value
Insulation body	Standard description	PA46 30%
Contact material	Standard description	CuSn8
Contact finish, mating zone	Thickness of plating	30 µm Au over 50 µm Ni
Contact finish termination zone	Thickness of plating	80 µm matte Sn over 50 µm Ni
Shell/shield material	Standard description	CuZn32
Shell/shield plating	Thickness of plating	50 µm Ni

Assembly process	Value
Packaging	Tray
Solder temperature	260°C at 3-5s
Suitable assembly process	reflow

Approvals	Value
UL insulation body	UL 94 V0
UL File No.	E145613
RoHS compliant	Yes

Test Data	Standard applic.	Value
<b>Mechanical properties</b>		
Insertion/withdrawal force	IEC 603-7	max. 20 N
Mechanical operations	IEC 512-5, 9a	min. 1.000
Effectiveness of connector coupling device	IEC 512-8, 15f	50 N

Electrical properties		
<b>Creepage / clearance distances</b>		
a) Contact - contact	IEC 807-3	0.52 mm
b) Contact - shell	IEC 807-3	min. 0.1 mm
<b>Voltage proof (Dielectric Withstand Voltage)</b>		
a) Contact - contact	IEC 512-2, 4a	min. 1.000 V AC/DC
b) Contact - shell/testpanel	IEC 512-2, 4a	min. 1.500 V AC/DC
Current carrying capacity	IEC 512-2, 5b	1.5 A @ 25° C
Contact resistance	IEC 512-2, 2a	max. 30 mOhm
Insulation resistance	IEC 512-2, 3a	min. 500 MOhm

Environmental properties		
Operation temperature		-40 - +85° C

NOTE 1: PANEL GROUNDFLANGES TOP. SIDES (GF5)  
NOTE 2: C-UL APPROVED E145613 AND MEETS FCC REQUIREMENTS  
NOTE 3: RoHS COMPLIANT

Information:	Tolerances	Scale 2:1	
All rights reserved. Only for Information. To ensure that this is the latest version of this drawing, please contact one of the ERNI companies before using.	Subject to modification without prior notice. Drawing will not be updated.	 All Dimensions in mm(in)	Designation
			<p><b>MOD JACK - MJLS</b> <b>6P6C, 1X1, SMT</b></p>
 www.ERNI.com	<p><b>133719</b></p>	(1/1)	A3
d	26.05.2010	Class	MJ
Index	Date		

Copyright by ERNI GmbH  
Proprietary notice pursuant to ISO 16016 to be observed.