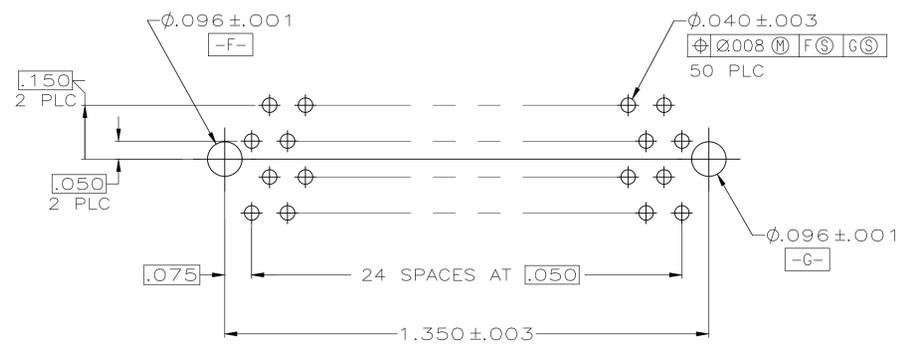
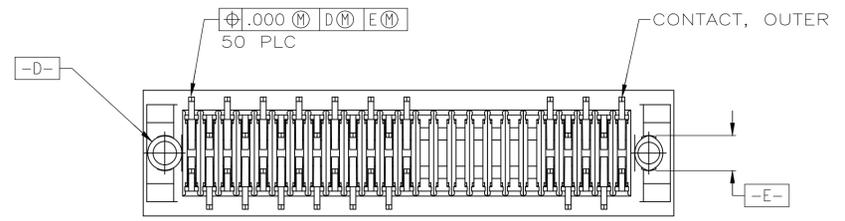
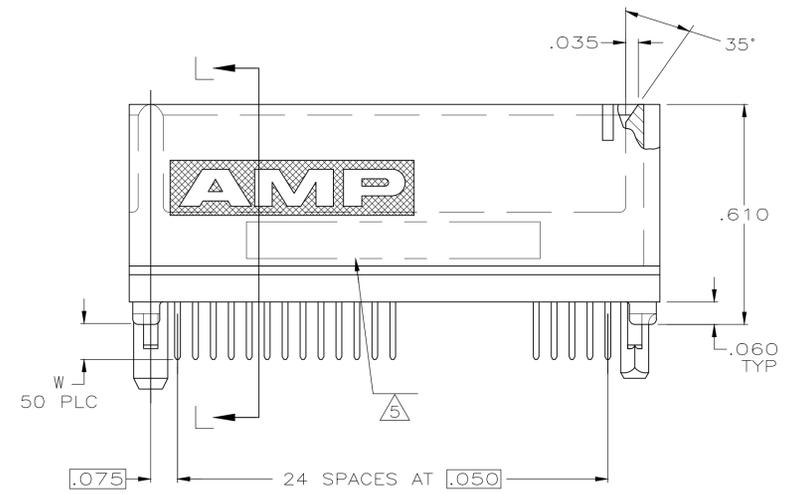
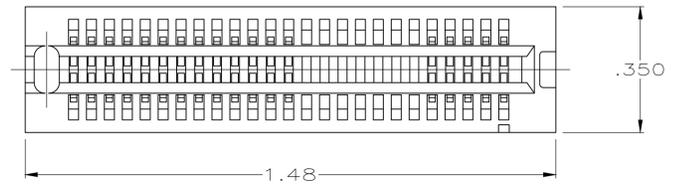
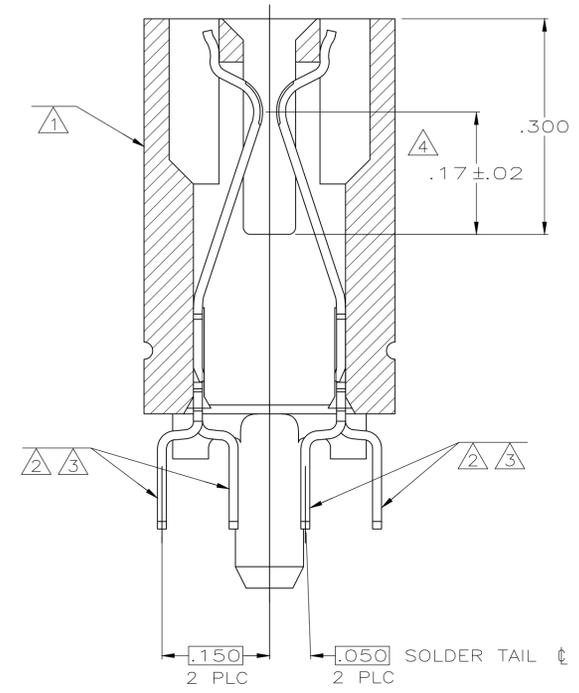


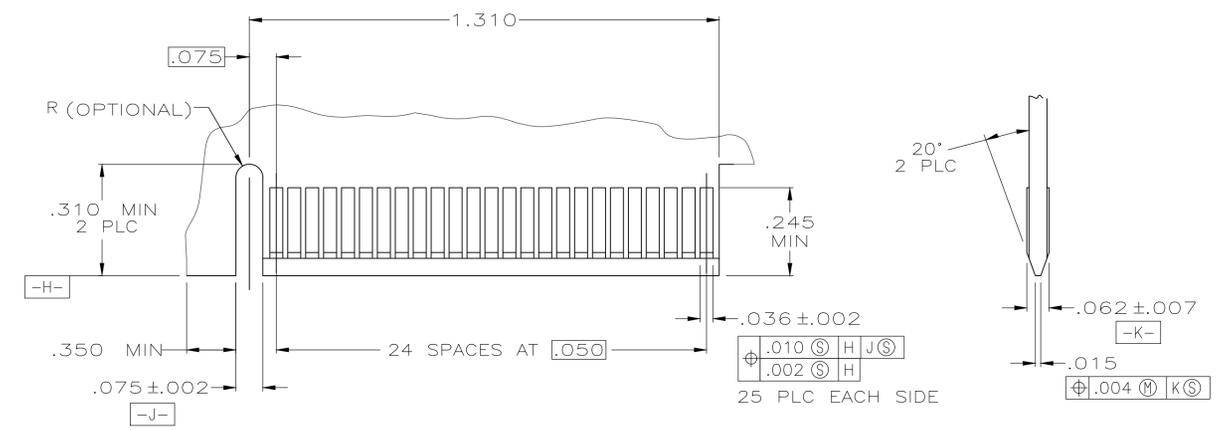
REVISIONS					
P	LTR	DESCRIPTION	DATE	DMN	APVD
B		ECO-18-017215	03DEC2018	FL	HL



RECOMMENDED CONNECTOR MOUNTING HOLE PATTERN (CONNECTOR SIDE SHOWN)



SECTION L-L SCALE 8:1



RECOMMENDED MATING BOARD EDGE CONFIGURATION

- 1 HOUSING: HIGH TEMPERATURE THERMOPLASTIC. COLOR: BROWN.
- 2 CONTACT: PHOSPHOR BRONZE.
- 3 CONTACT FINISH: .000100 MIN NICKEL ALL OVER. .000030 MIN GOLD OVER NICKEL IN CONTACT AREA. .000100 MIN TIN-LEAD OVER NICKEL ON SOLDER TAILS.
- 4 DISTANCE FROM CONTACT POINT TO BOTTOM OF CARD SLOT.
- 5 AMP PART NUMBER, DATE CODE AND CSA LOGO MARKED IN APPROXIMATE AREA SHOWN.
- 6 PINS NO. 11 THRU NO.24 ARE NOT LOADED INTO HOUSING.

THIS DRAWING IS A CONTROLLED DOCUMENT.		DMN R. GRZYBOWSKI 13JUN08		APVD S. FLICKINGER 13JUN08		NAME		CONNECTOR ASSEMBLY, END KEYED, 25 DUAL POSITION, .050 SERIES.	
DIMENSIONS: INCHES		TOLERANCES UNLESS OTHERWISE SPECIFIED:		PRODUCT SPEC		APPLICATION SPEC		RESTRICTED TO	
0 PLC ± -		1 PLC ± .01		108-14034		SIZE		A1	
2 PLC ± .005		3 PLC ± -		114-26012		CAGE CODE		00779	
4 PLC ± -		ANGLES ± -		WEIGHT 0.000000		DRAWING NO		1489982	
MATERIAL HOUSING: 1		FINISH CONTACT: 3		CUSTOMER DRAWING		SCALE 4:1		SHEET 1 OF 1	