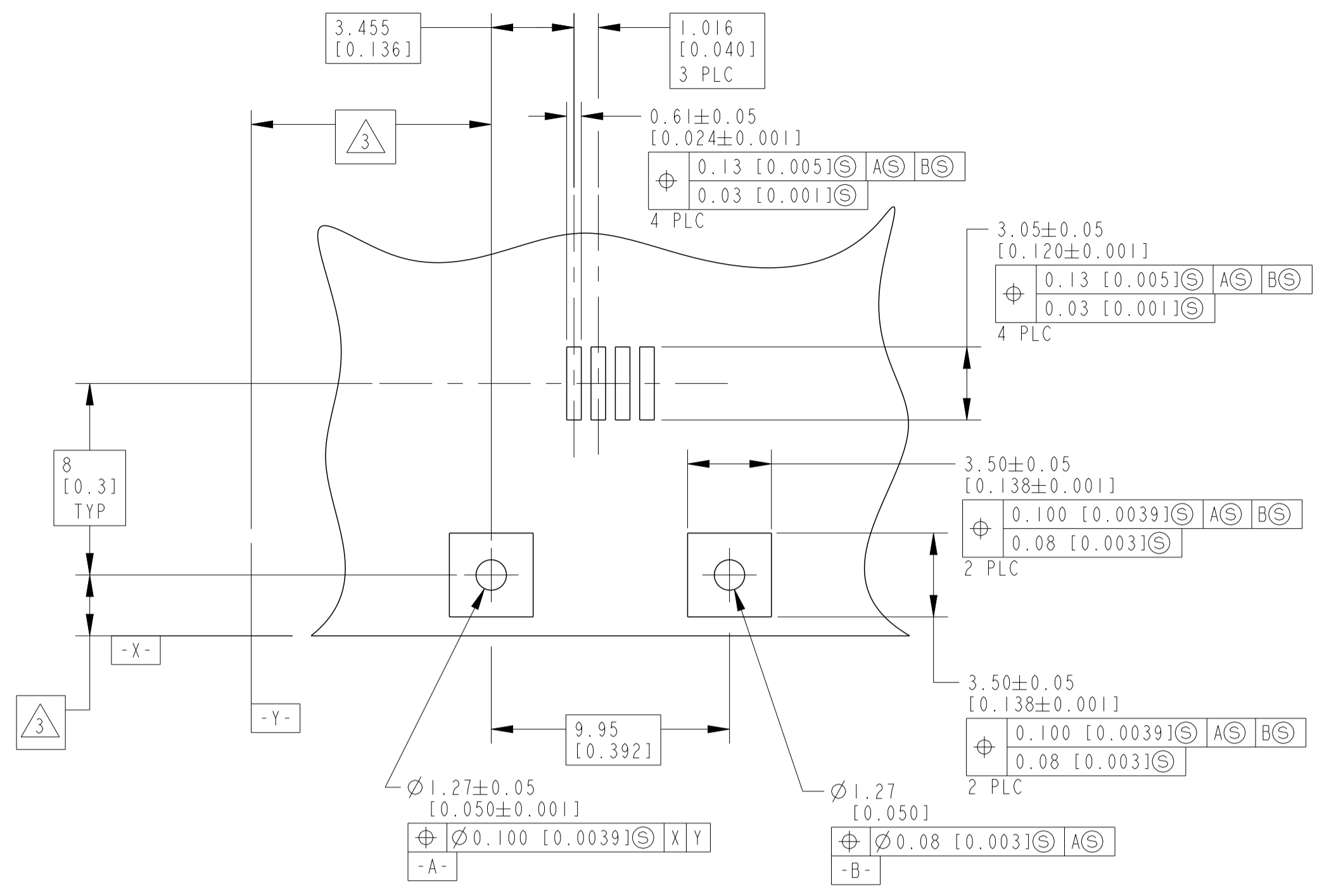
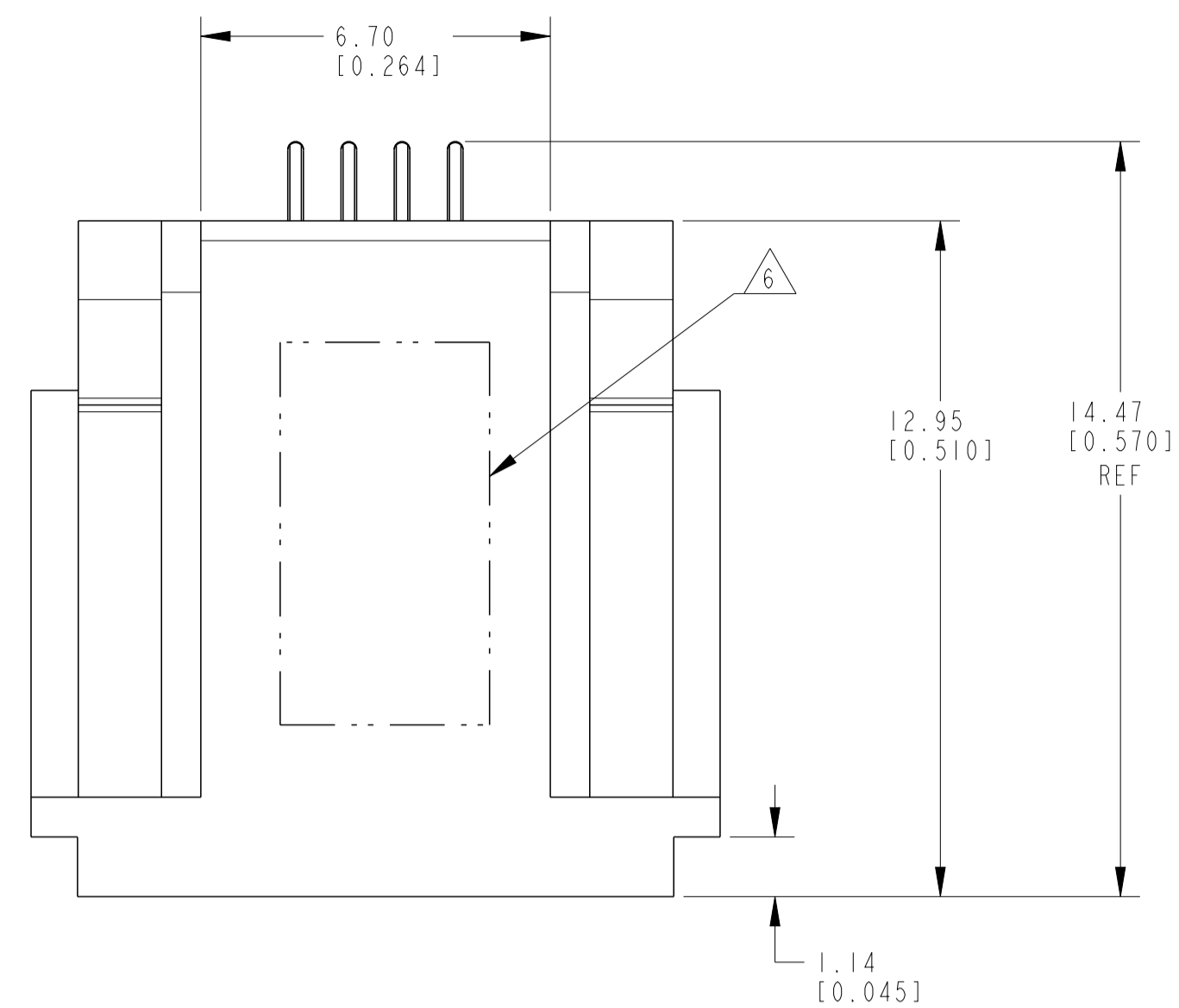
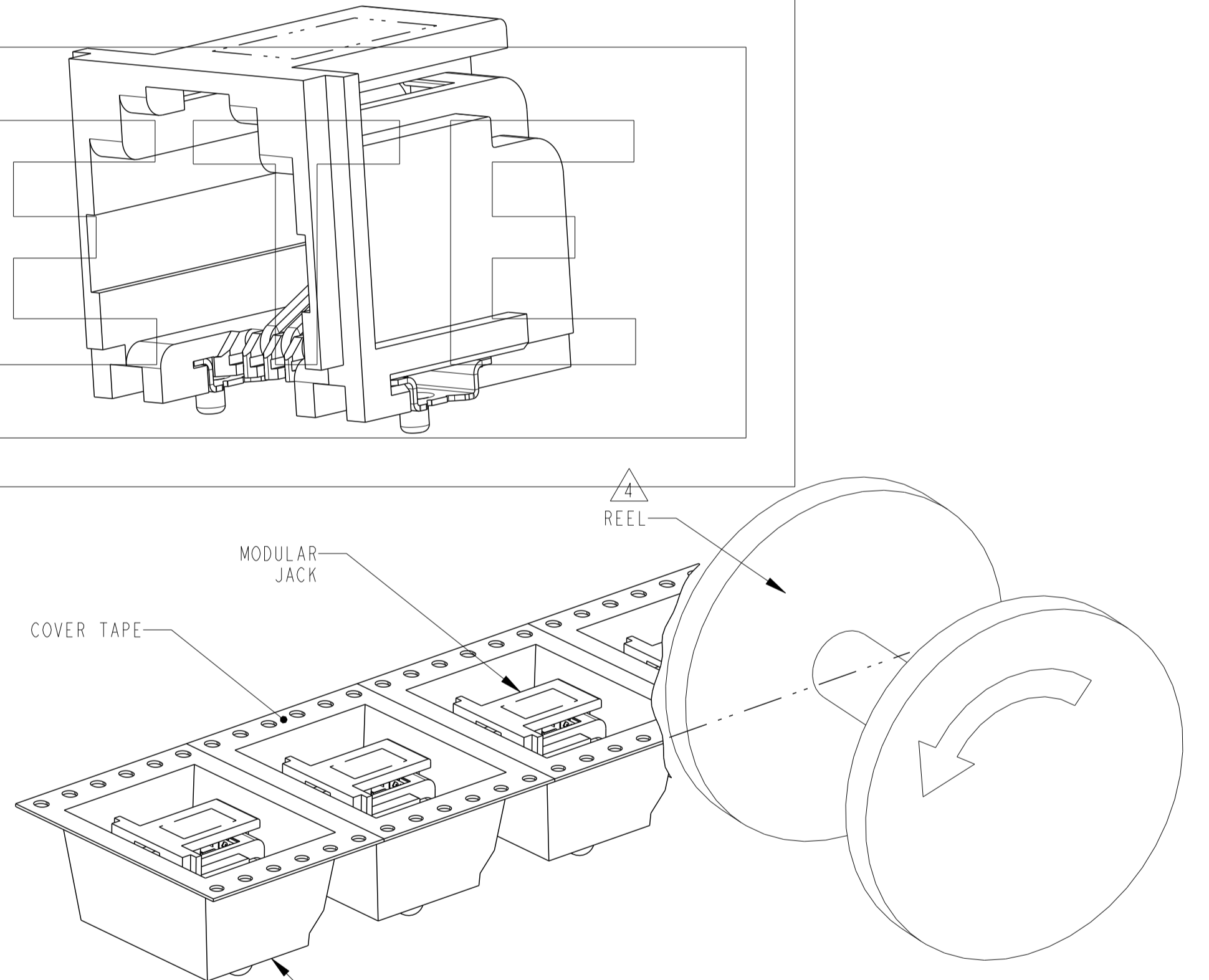
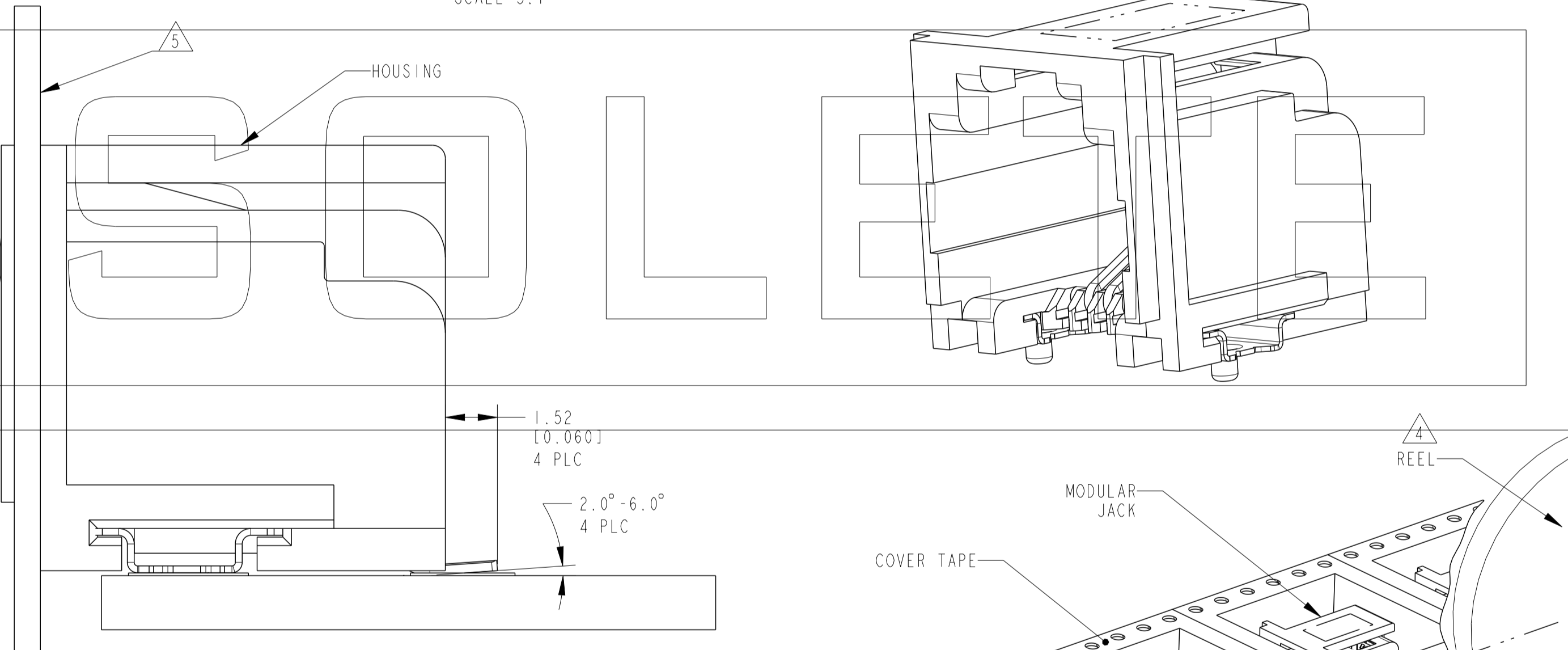
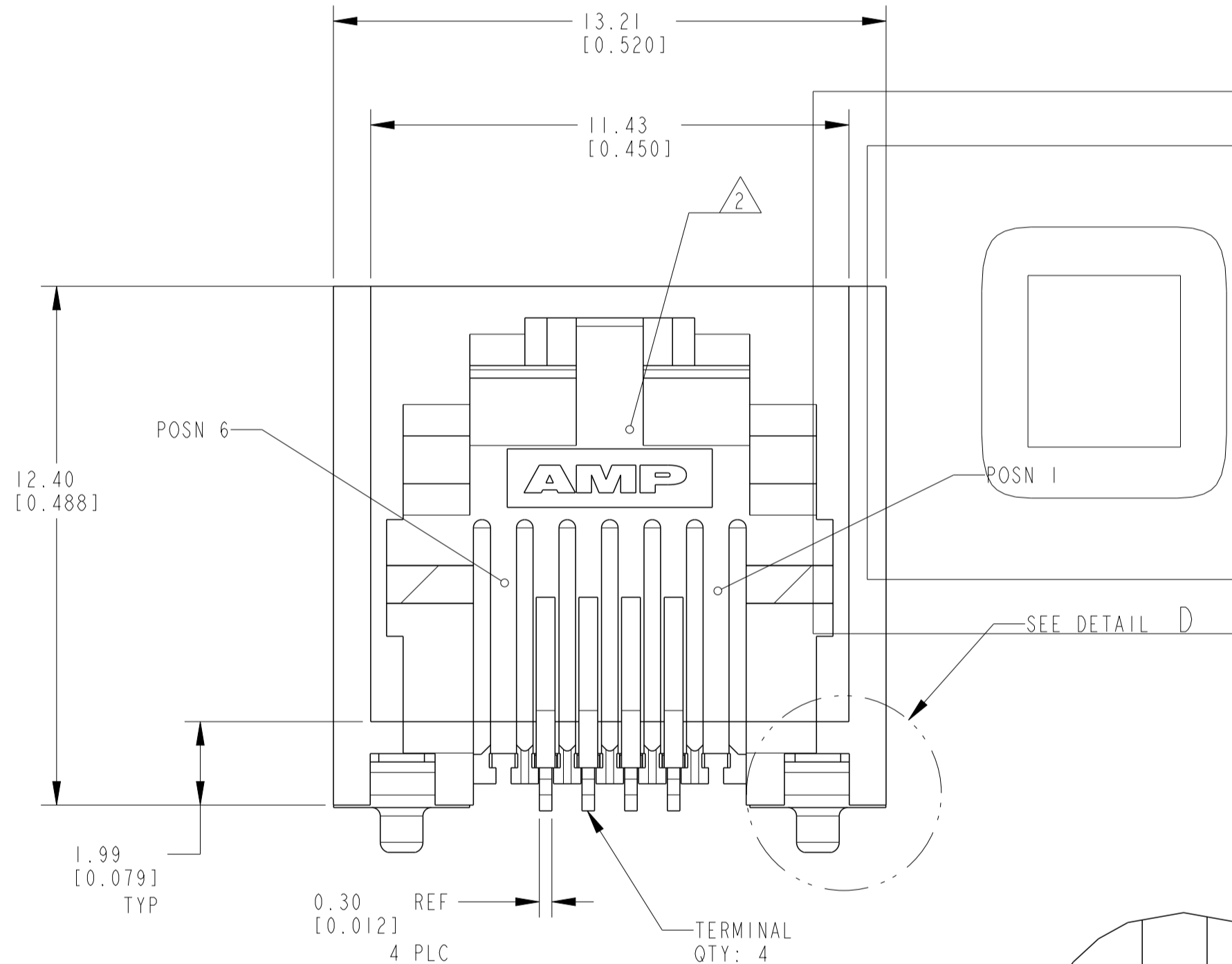


REVISIONS				
P	LTN	DESCRIPTION	DATE	APPD
C		REVISED PER PER ECO-14-018192	27FEB2020	IT SH
C1		REVISED AS PER ECN-22-180673	09NOV2022	AB SZ

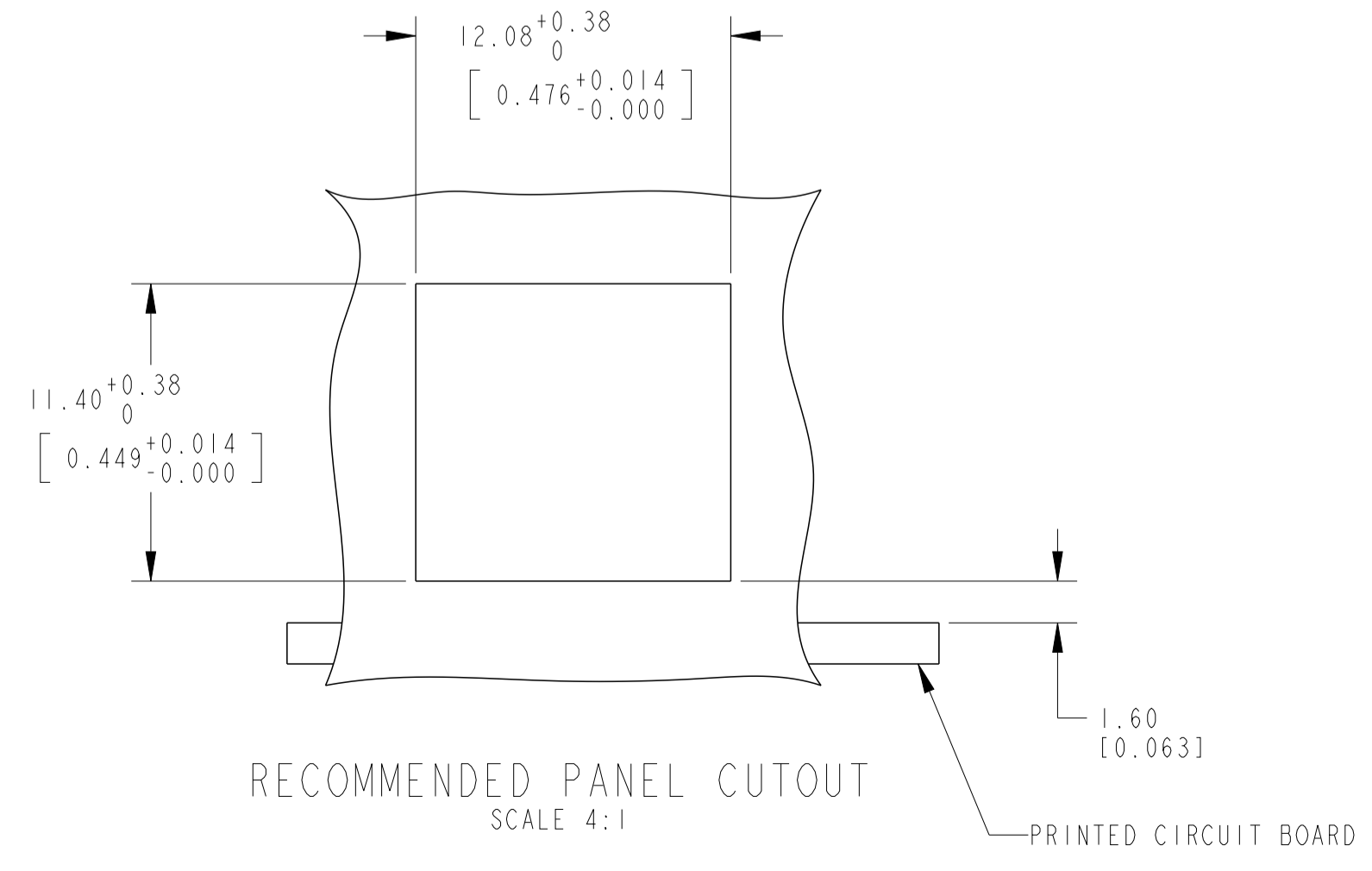
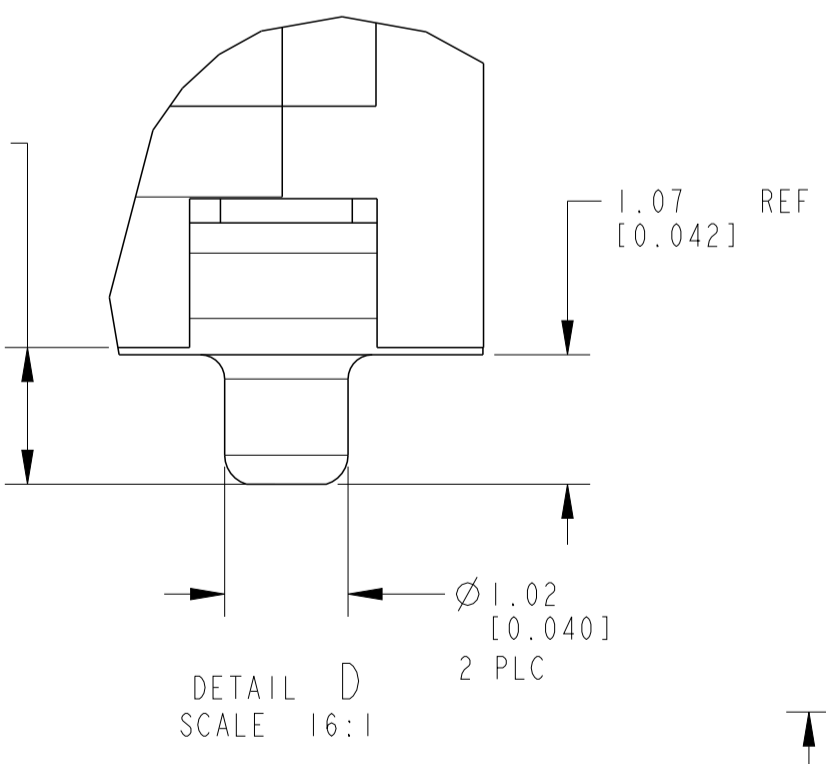


- 1 MATERIAL:
HOUSING - HIGH TEMPERATURE THERMOPLASTIC, PA 9T COLOR - BLACK.
TERMINALS - 0.3[.012] THICK COPPER ALLOY PLATED WITH 1.27µ[.00050] MINIMUM GOLD IN LOCALIZED GOLD PLATE AREA, 2.5 µm[.000100] MINIMUM MATTE TIN ON TERMINATION END, BOTH OVER 1.27µm[.00050] MINIMUM NICKEL OVER ENTIRE TERMINAL.
BOARDLOCK - PHOS BRONZE, 1/2 HARD, 3.81µm[.000150] MINIMUM MATTE TIN OVER 1.27µm[.00050] MINIMUM NICKEL ON TERMINAL END.
- 2 JACK CAVITY CONFORMS TO FCC 47 RULES AND REGULATIONS, PART 68 SUBPART F.
- 3 DATUM ESTABLISHED BY CUSTOMER.
- 4 PACKAGING TAPE AND REEL: (PER EIA 481 SPEC)
32mm WIDE TAPE
24mm POCKET PITCH
560mm REEL DIA
600 PIECES PER REEL
- 5 CONNECTOR SHOULD BE POSITIONED THROUGH PANEL CUTOUT AS SHOWN TO SUPPORT TOP OF MODULAR JACK FOR STRAIN RELIEF
- 6 MANUFACTURING DATE CODE LOCATED APPROXIMATELY AS SHOWN. FIRST 2 DIGITS ARE YEAR, SECOND 2 DIGITS ARE WORK WEEK, AND LAST DIGIT IS THE DAY OF THE WEEK
- 7 PACKAGING TAPE AND REEL: 32mm WIDE TAPE
24mm POCKET PITCH
330mm REEL DIA
200 PIECES/REEL
REFER 107-64184

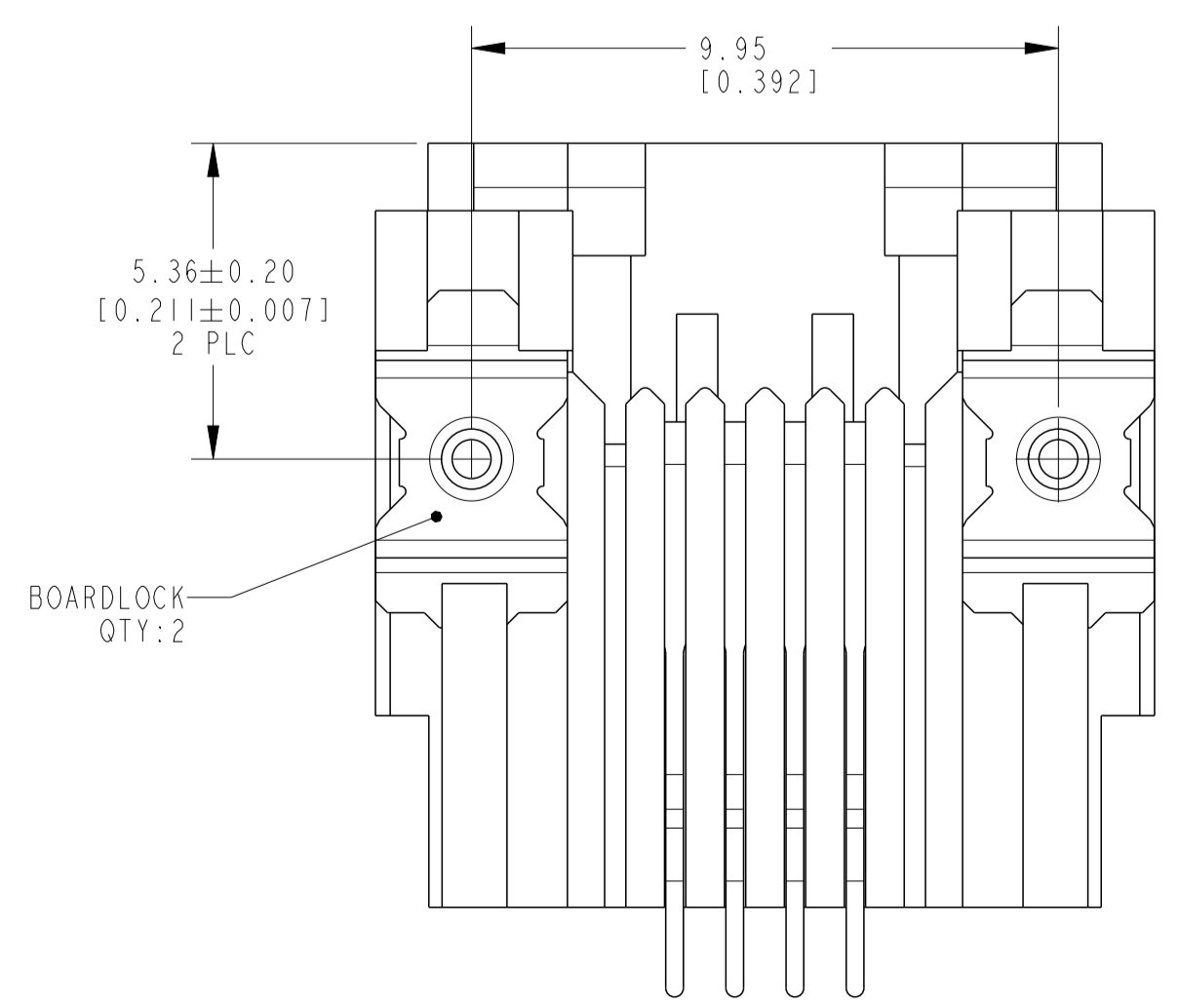
RECOMMENDED PRINTED CIRCUIT BOARD LAYOUT
COMPONENT SIDE
SCALE 5:1



1551040-1 AS SHOWN



RECOMMENDED PANEL CUTOUT
SCALE 4:1



1551040-2	PACKAGING	PN
1551040-1	PACKAGING	PN
OBSOLETE		
TE TE Connectivity		
THIS DRAWING IS A CONTROLLED DOCUMENT. DIMENSIONS: mm [INCHES] TOLERANCES UNLESS OTHERWISE SPECIFIED: 0 PLC ± 1 PLC ±0.131(.005) 2 PLC ± 3 PLC ± 4 PLC ± ANGLES ±1 FINISH SEE NOTE 1		DWN: PREMJIH 24DEC08 CHK: D.CAMPSCHROER 24DEC08 APVD: T.J. BOER 24DEC08 NAME: MODULAR JACK ASSEMBLY, 1 PORT, 6/4 POSN, SURFACE MOUNT, RIGHT ANGLE, WITH INWARD BOARDLOCKS PRODUCT SPEC: 108-1689 APPLICATION SPEC: 114-6040 WEIGHT: - RESTRICTED CUSTOMER
MATERIAL: SEE NOTE 1 RESTRICTED CUSTOMER		SIZE: 114-6040 CAGE CODE: 00779 DRAWING NO: 1551040 SCALE: 8:1 SHEET: 1 OF 1 REV: C1