

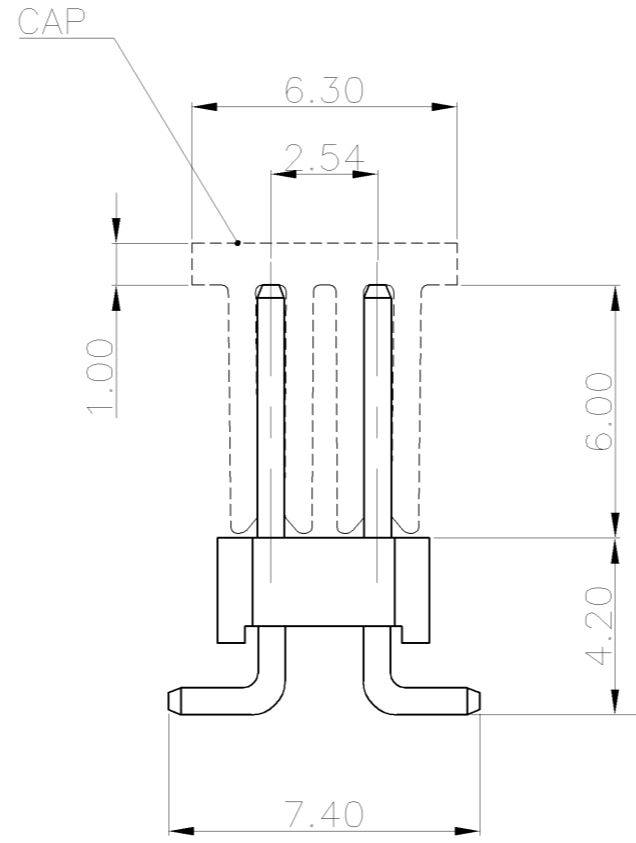
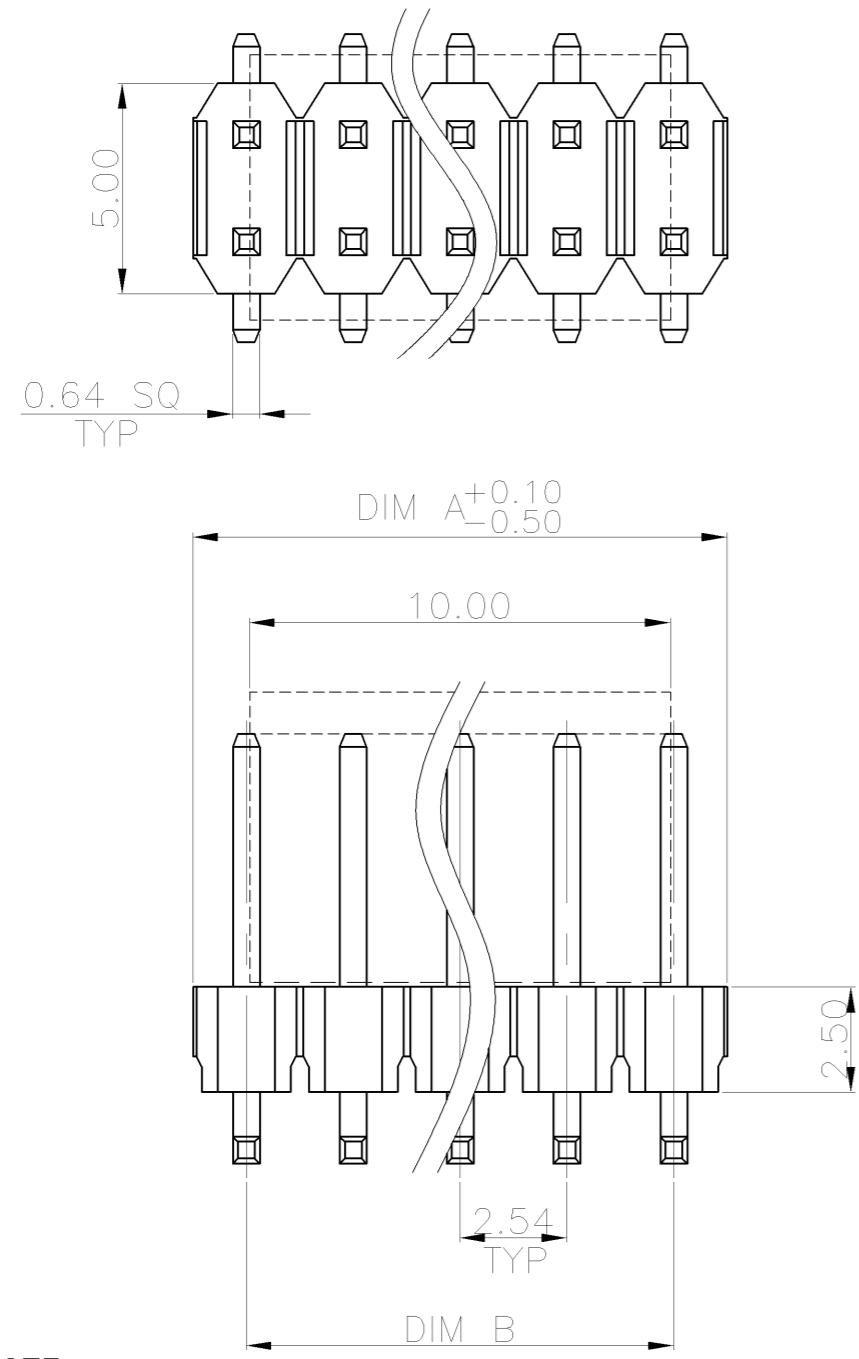
THIS INFORMATION IS CONFIDENTIAL AND IS DISCLOSED TO YOU ON CONDITION THAT NO FURTHER DISCLOSURE IS MADE BY YOU TO OTHER THAN AMP PERSONNEL WITHOUT WRITTEN AUTHORIZATION FROM AMP (TAIWAN) LTD. DIMENSIONS IN MILLIMETERS. DO NOT SCALE PRINT.

NUMBER
C-1775448

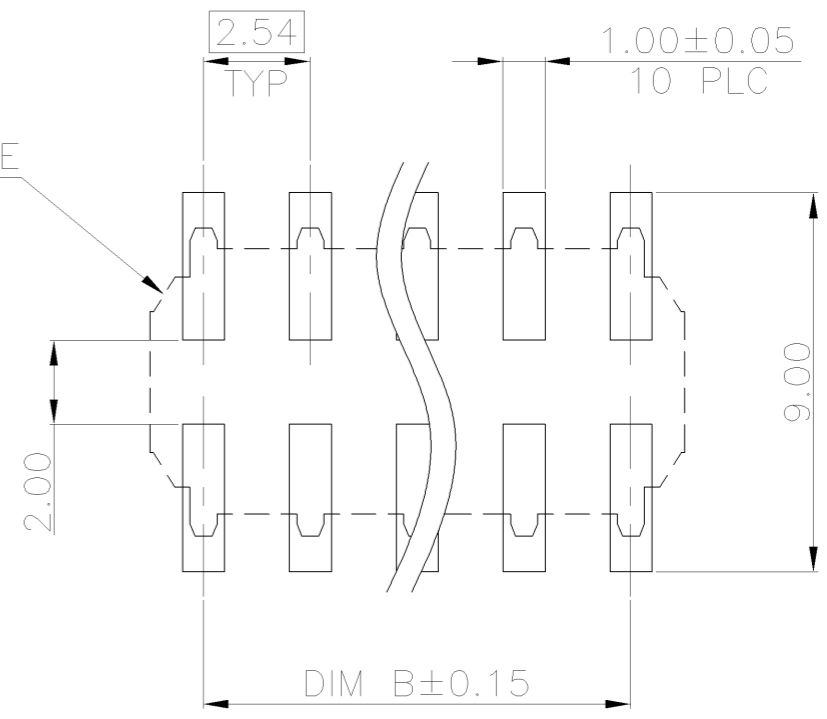
3RD ANGLE PROJECTION

METRIC

PRINT DIST
DW



CONNECTOR OUTLINE



RECOMMENDED P.C.B LAYOUT

0.10
ALL SOLDER AREAS

NOTE:

- MATERIAL:
HOUSING: NYLON 6T WITH 33% GF, UL 94V-0, BLACK COLOR.
CAP: NYLON 6T WITH 40% GF, UL 94V-0, BLACK COLOR.
POSTS: BRASS.
- FINISH:
POSTS: GOLD FLASH OVER 1.27μm [50μ"] MIN. NICKEL ON ENTIRE POST.
- REFLOW SOLDER CAPABLE TO 260°C AS PER TYCO SPEC. 109-201, CONDITION B.
- NO TYCO LOGO AND DATE CODE ON THE PRODUCT.

1.13	15.24	17.78	14	1775448-2
0.94	10.16	12.70	10	1775448-1
WEIGHT (GRAMS)	B	A	NO. OF POSITIONS	PART NUMBER
DIMENSIONS				

TOLERANCES UNLESS OTHERWISE SPECIFIED: 0 PLC ±- 1 PLC ±0.3 2 PLC ±0.25 3 PLC ±0.2 ANGLES ±3'	DWN	FRANK FAN 27DEC2019	tyco TYCO HOLDINGS (BERMUDA) Electronics VII LTD. TAIWAN BRANCH			
	CHK	GEORGE FU 27DEC2019				
MATERIAL SEE NOTE	APVD	MING SHI 27DEC2019	PIN HEADER, PITCH 2.54mm, VERTICAL, SMT TYPE.			
	PRODUCT SPEC	108-57576				
FINISH SEE NOTE	QUALIFICATION TEST REPORT	501-57667	LOC DW	SIZE A ₃	DRAWING NO C-1775448	REV B
	WEIGHT	SEE TABLE	SCALE	--	SHEET	1 OF 2

B	ECR-19-013645	--	FF MS	27DEC 2019
A	FIRST RELEASED	--	AW SH	19JUN 2006
LTR	REVISION RECORD	ECN	DWN CHK	DATE

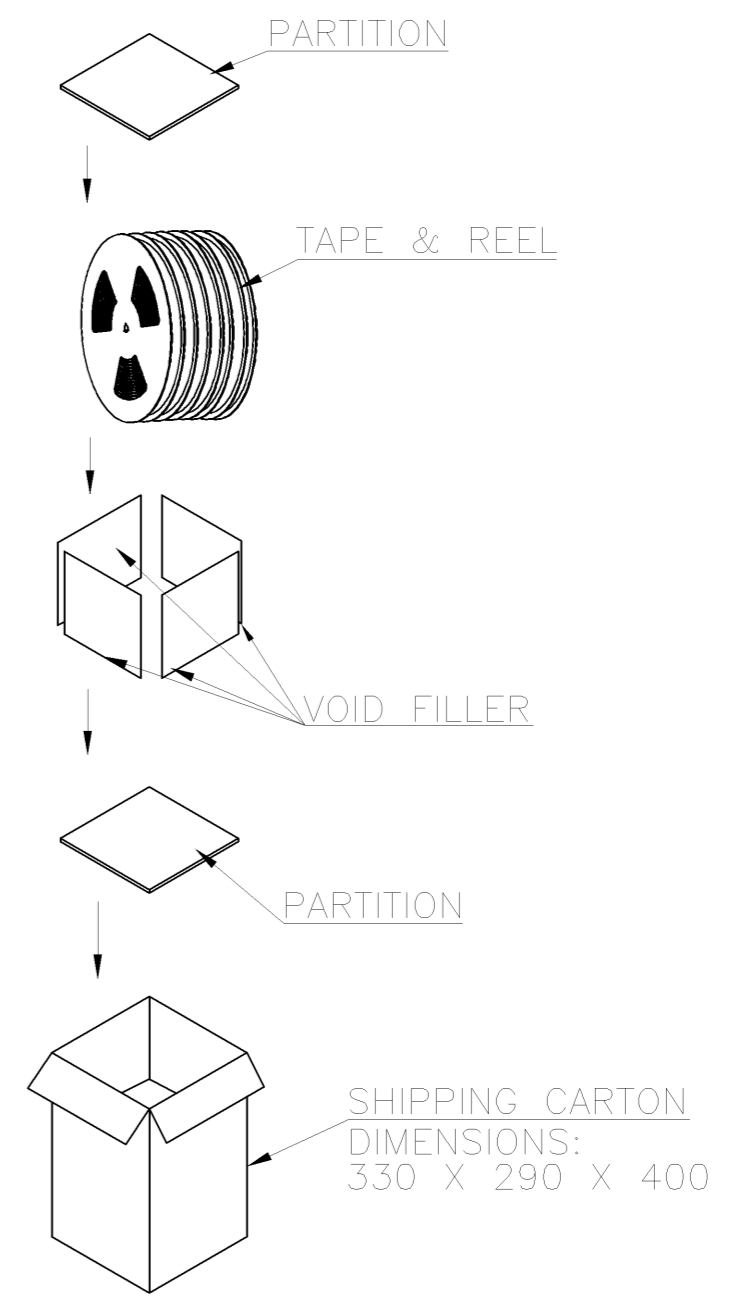
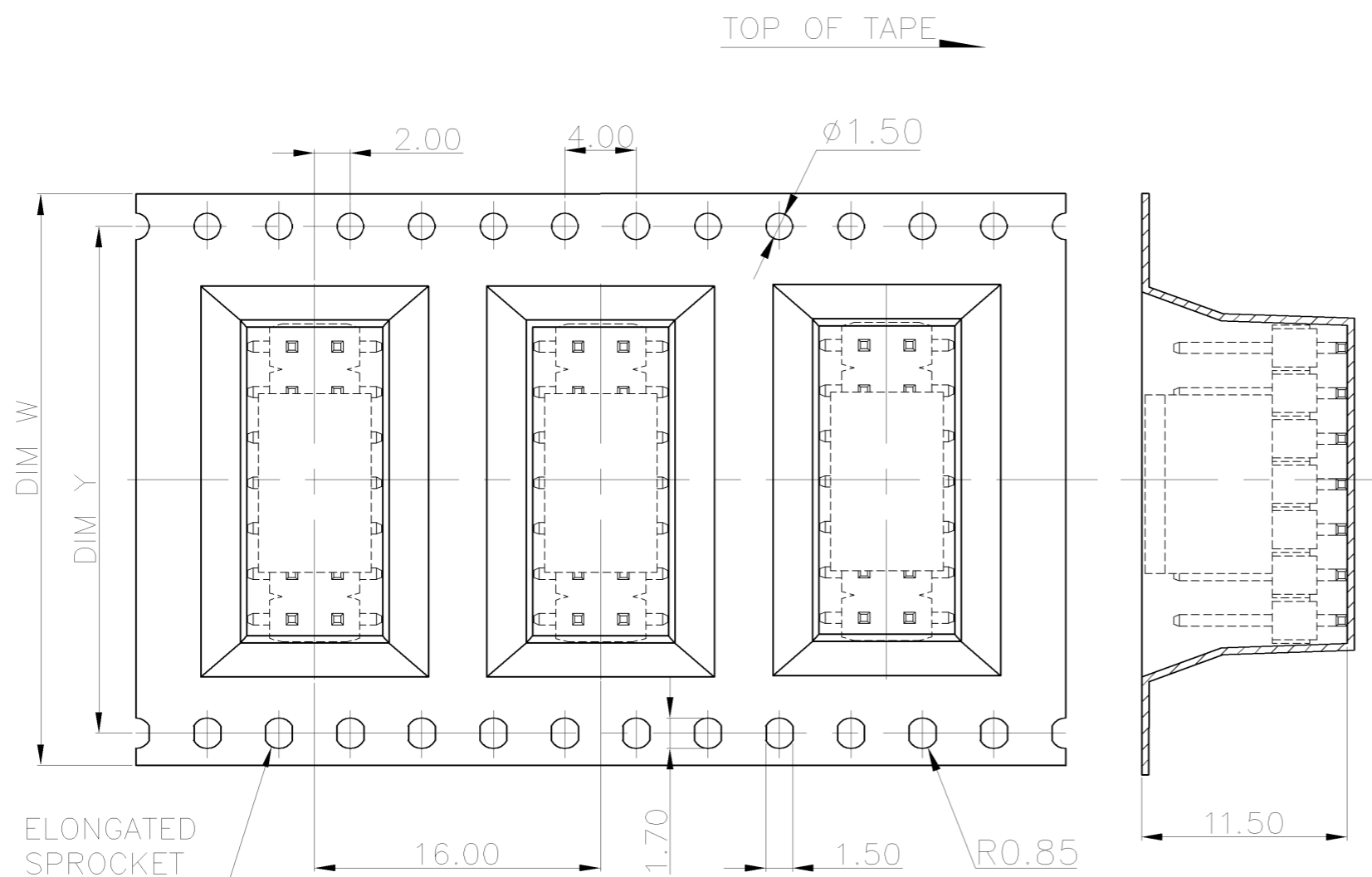
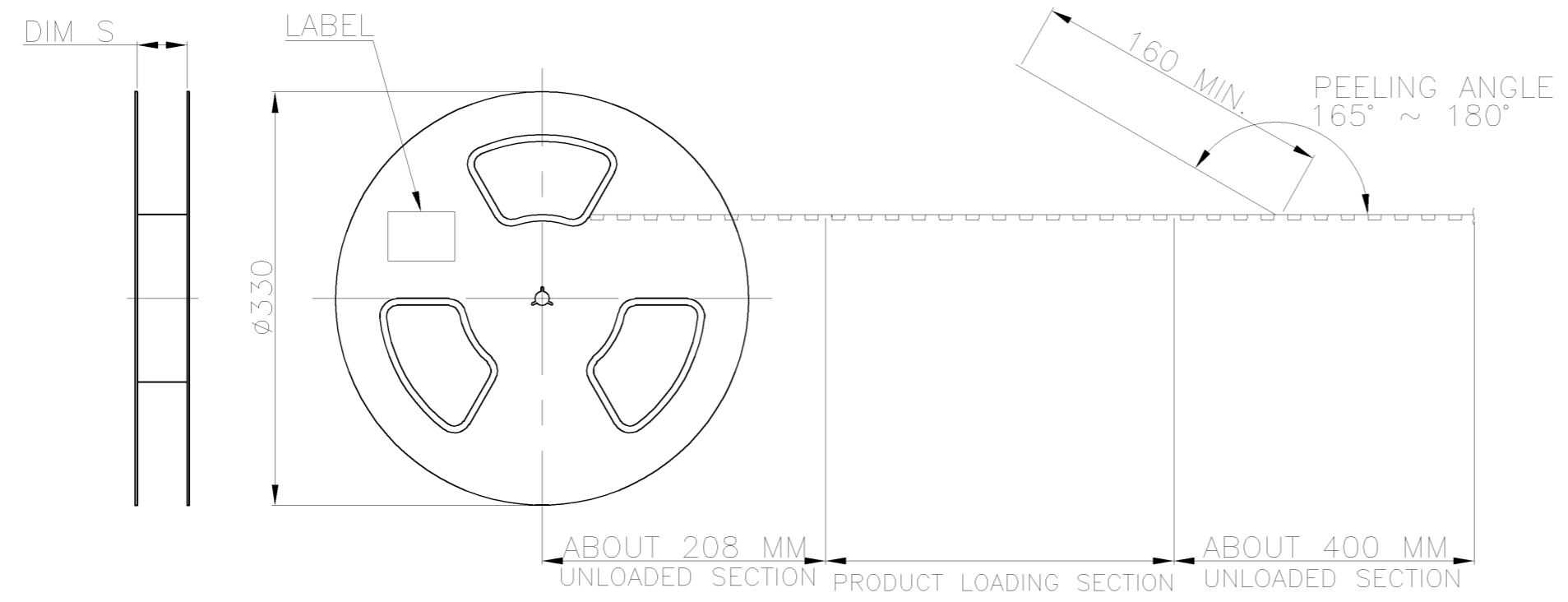
NUMBER
C-1775448

3RD ANGLE PROJECTION

METRIC

THIS INFORMATION IS CONFIDENTIAL AND IS DISCLOSED TO YOU ON CONDITION THAT NO FURTHER DISCLOSURE IS MADE BY YOU TO OTHER THAN AMP PERSONNEL WITHOUT WRITTEN AUTHORIZATION FROM AMP (TAIWAN) LTD. DIMENSIONS IN MILLIMETERS. DO NOT SCALE PRINT.

PRINT
DW



2100	300	7	5.38	1.53	32.4	28.4	32	14
2100	300	7	4.98	1.13	24.5	N/A	24	10
QUANTITY	PCS/TAPE	REELS/CARTON	G/W (KGS)	N/W (KGS)	DIM S	DIM Y	DIM W	NO. OF POSITIONS

TOLERANCES UNLESS OTHERWISE SPECIFIED: 0 PLC ±- 1 PLC ±- 2 PLC ±- 3 PLC ±- ANGLES ±-		DWN FRANK FAN 27DEC2019	tyco TYCO HOLDINGS (BERMUDA) VII LTD. TAIWAN BRANCH	
MATERIAL	APVD	CHK GEORGE FU 27DEC2019	NAME	
FINISH	PRODUCT SPEC	MING SHI 27DEC2019		
	QUALIFICATION TEST REPORT	PIN HEADER, PITCH 2.54mm, VERTICAL, SMT TYPE.		
	WEIGHT	LOC DW	SIZE A ₃	DRAWING NO C-1775448
		SCALE	REV B	
		SHEET		2 OF 2

SEE SHEET 1	ECN	DWN	CHK	DATE
LTR	REVISION RECORD			