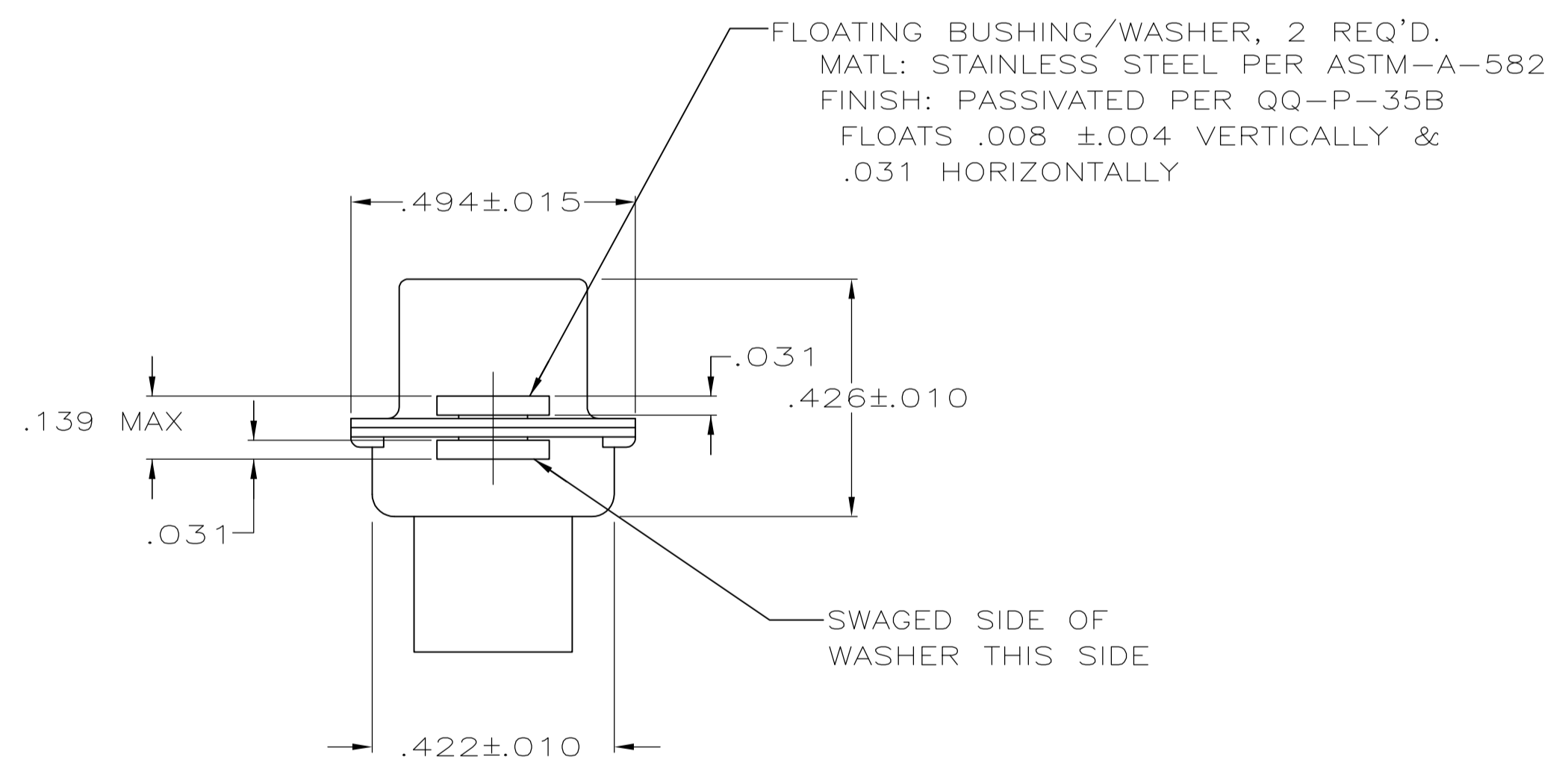
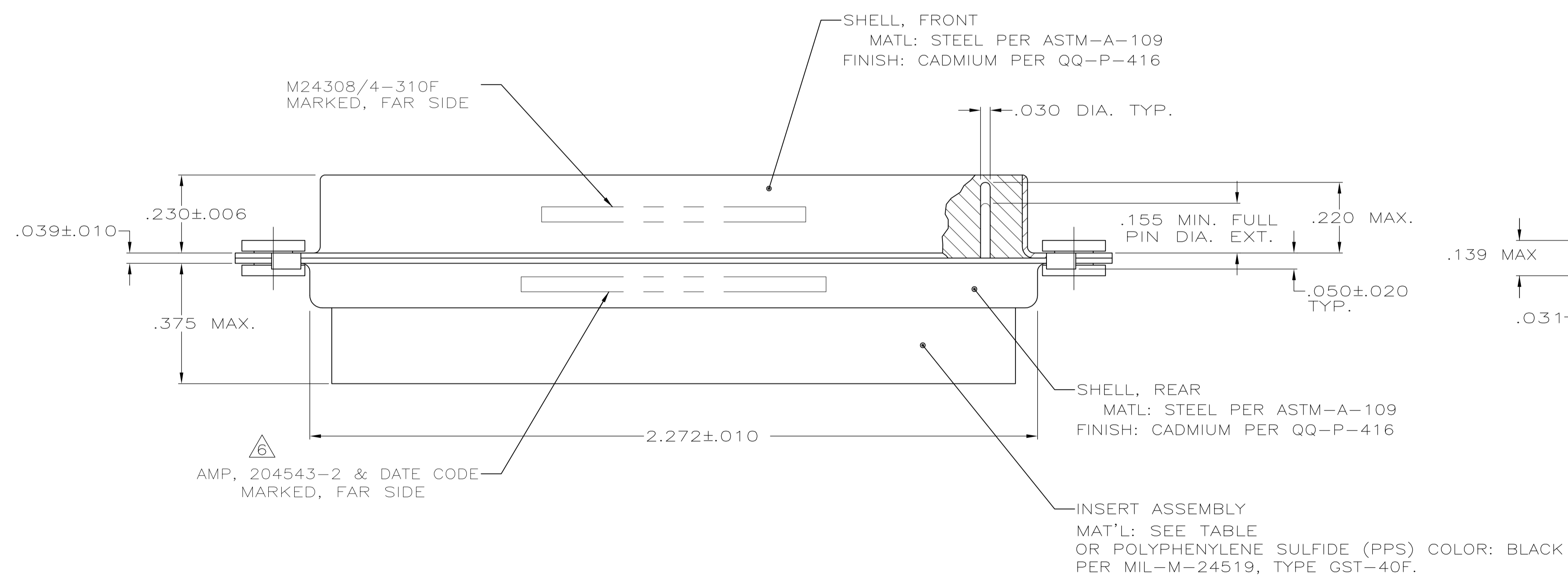
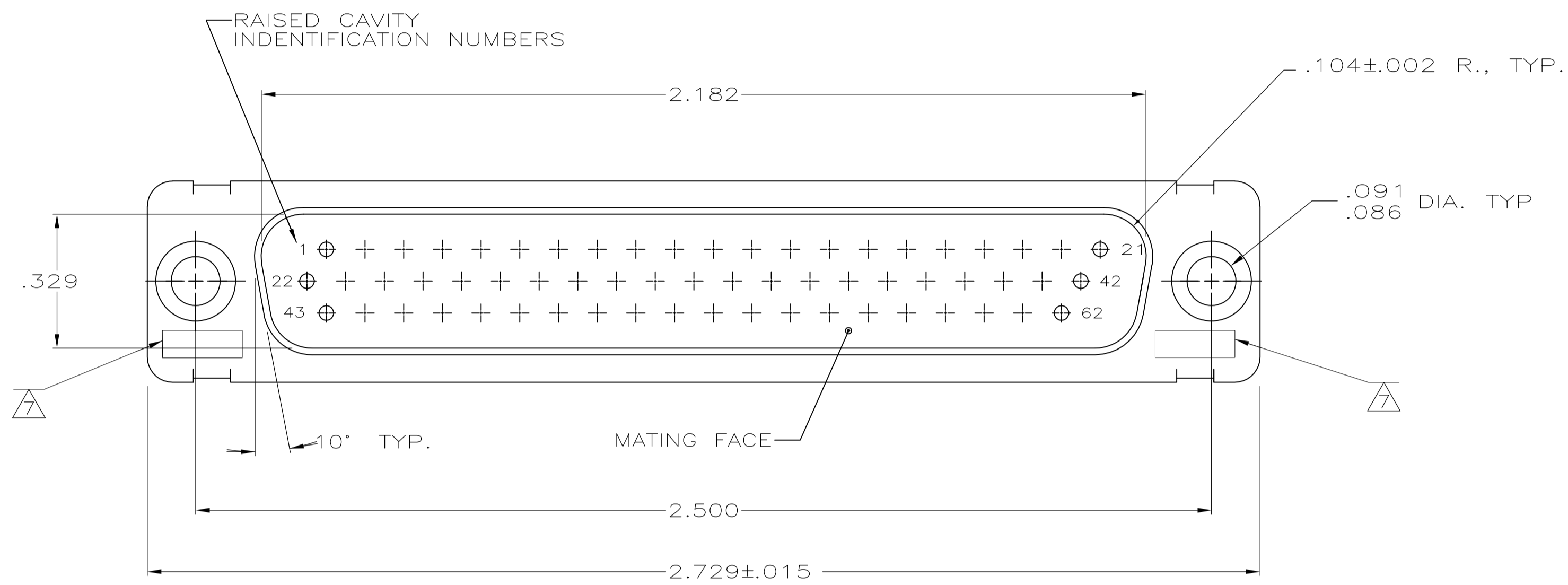


LOC		DIST		REVISIONS			
P	LTR	DESCRIPTION	DATE	DMN	APVD		
R		REV PER ECO-15-016062	10NOV15	KG	CD		



- THIS PLUG IS DESIGNED TO CONFORM TO THE LATEST ISSUE OF MIL-C-24308
 - MAX WIRE INSUL. TO BE USED WITH THIS PLUG IS .054 DIA.
 - METAL RETENTION CLIPS ARE INCLUDED IN INSERTS
 - PACKAGE MARKED M 24308/4-332F
 - THIS PLUG WILL ACCEPT SIZE 22 PIN CONTACT M 24308/13 OR AMP # 204370
- AMP PART NO. MARKED ON CONNECTOR REPRESENTS KIT NUMBER WITH CONTACTS
 UL/CSA DESIGNATION MARKED IN THIS AREA.

THIS DRAWING IS A CONTROLLED DOCUMENT.

DIMENSIONS: INCHES	TOLERANCES UNLESS OTHERWISE SPECIFIED:	DIN C.C.THOMAS 12-4-87	TE Connectivity
0 PL ± - 1 PL ± - 2 PL ± - 3 PL ± 0.005 4 PL ± - ANGLES ± 0°30'	0 PL ± - 1 PL ± - 2 PL ± - 3 PL ± 0.005 4 PL ± - ANGLES ± 0°30'	CHK F.C.BALLEW III 1-25-88 APVD F.C.BALLEW III 1-25-88 PRODUCT SPEC APPLICATION SPEC WEIGHT CUSTOMER DRAWING	