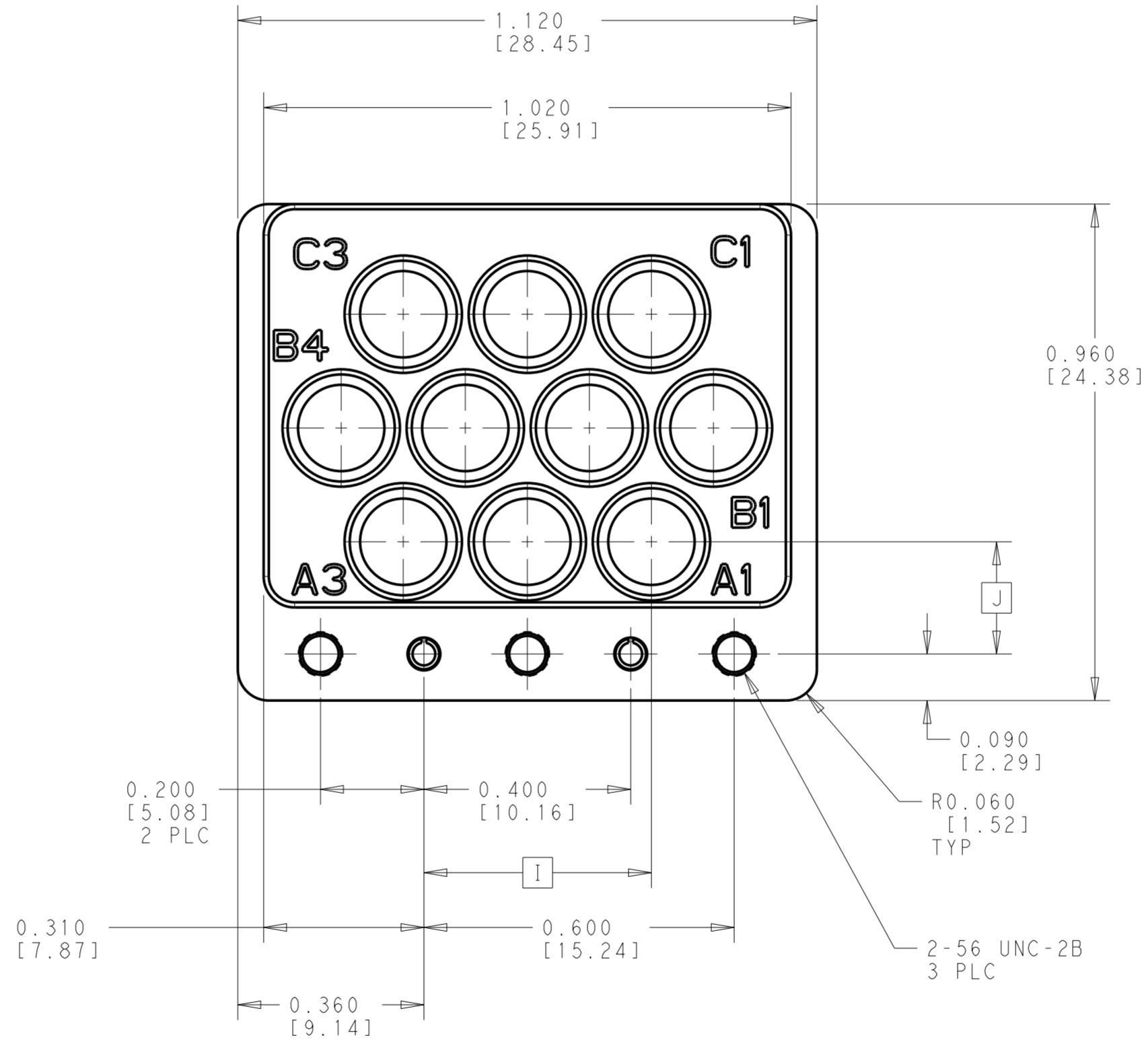
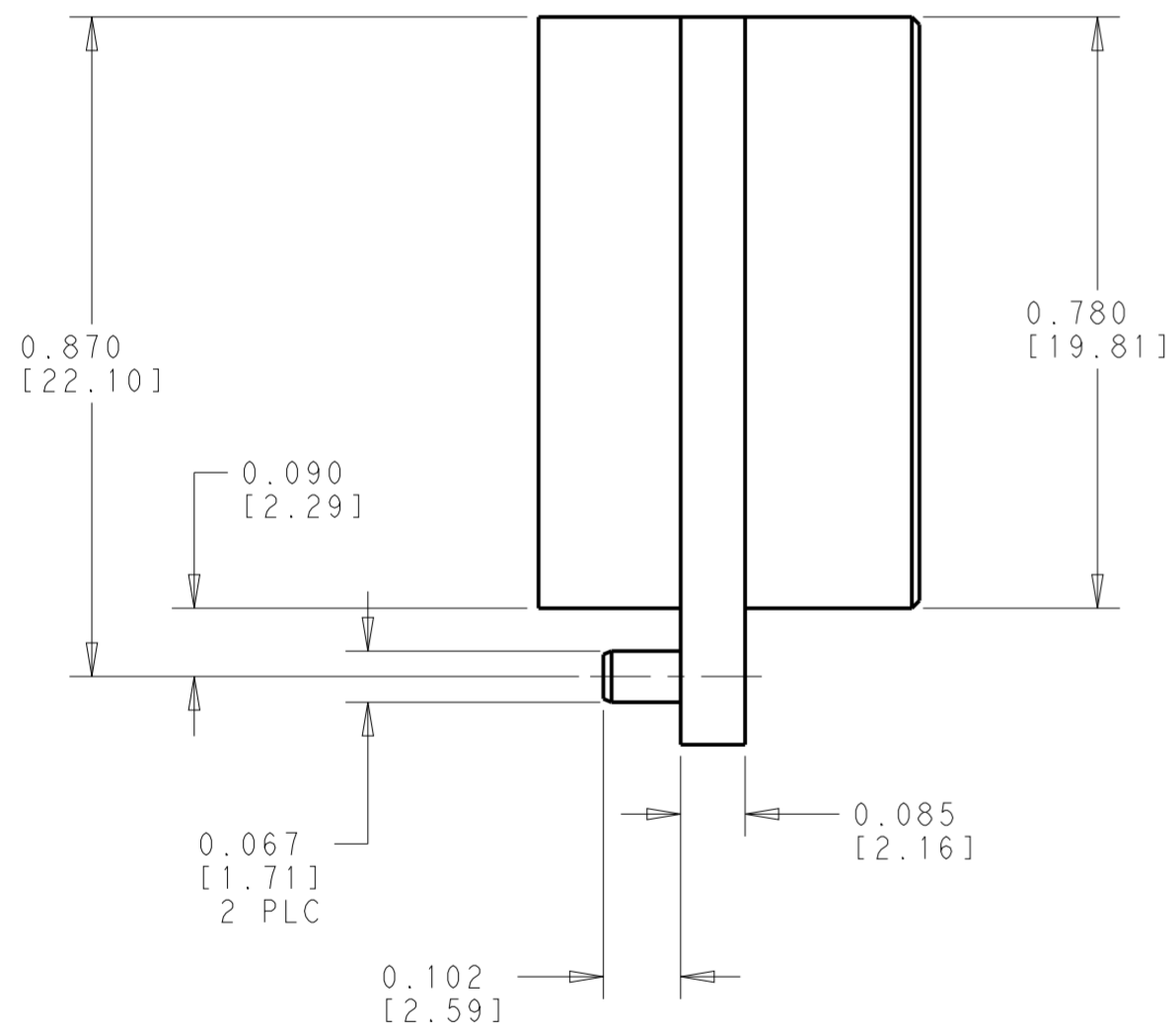
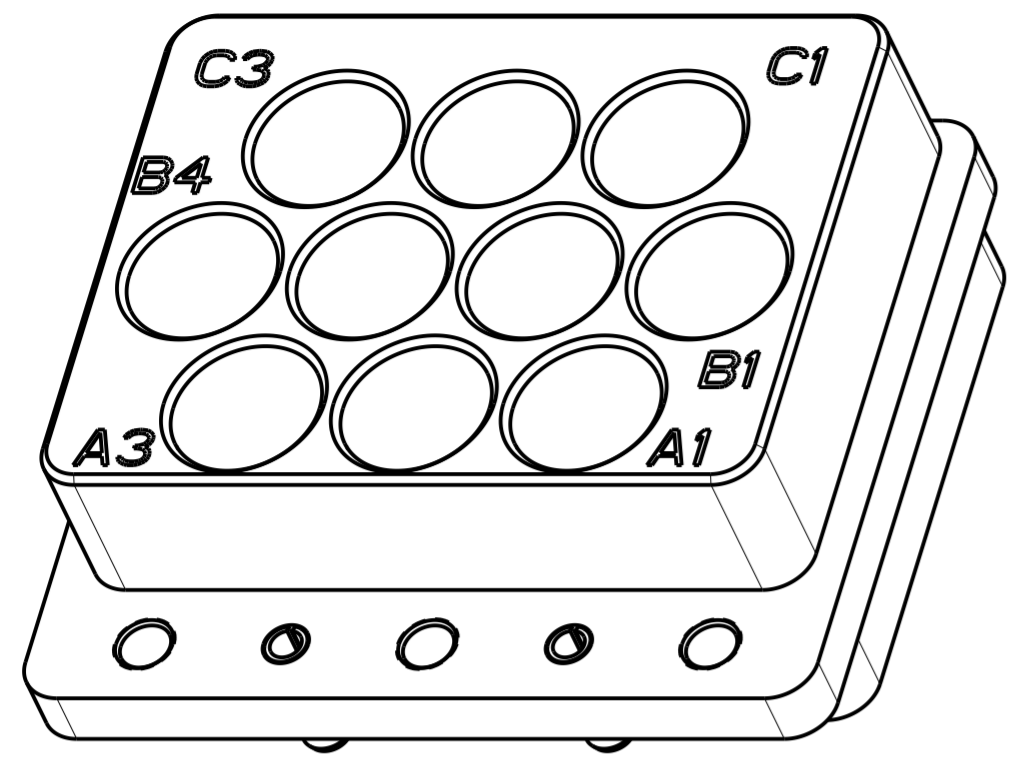


THIS DRAWING IS UNPUBLISHED. RELEASED FOR PUBLICATION 20
 © COPYRIGHT 20 BY - ALL RIGHTS RESERVED.

REVISIONS				
P	LTR	DESCRIPTION	DATE	APVD
1		INITIAL RELEASE	13JUN2018	KM -
2		ALUMINUM WAS SS	22JAN2019	KM CG
3		SS WAS ALUMINUM	06OCT2020	KM CG
4		CORRECT DUAL DIM ERROR	19APR2021	KM CG



HOLE CHART		
HOLE ID	I	J
A1	11.176 [.440]	5.512 [.217]
A2	5.08 [.200]	5.512 [.217]
A3	-1.016 [-.040]	5.512 [.217]
B1	14.224 [.560]	11.1 [.437]
B2	8.128 [.320]	11.1 [.437]
B3	2.032 [.080]	11.1 [.437]
B4	-4.064 [-.160]	11.1 [.437]
C1	11.176 [.440]	16.688 [.657]
C2	5.08 [.200]	16.688 [.657]
C3	-1.016 [-.040]	16.688 [.657]

THIS PRINT IS
PRELIMINARY
 UNQUALIFIED PRODUCT
 CONTACT PRODUCT ENGINEERING
 BEFORE USING THIS PRINT

2332706-1
 PART NUMBER

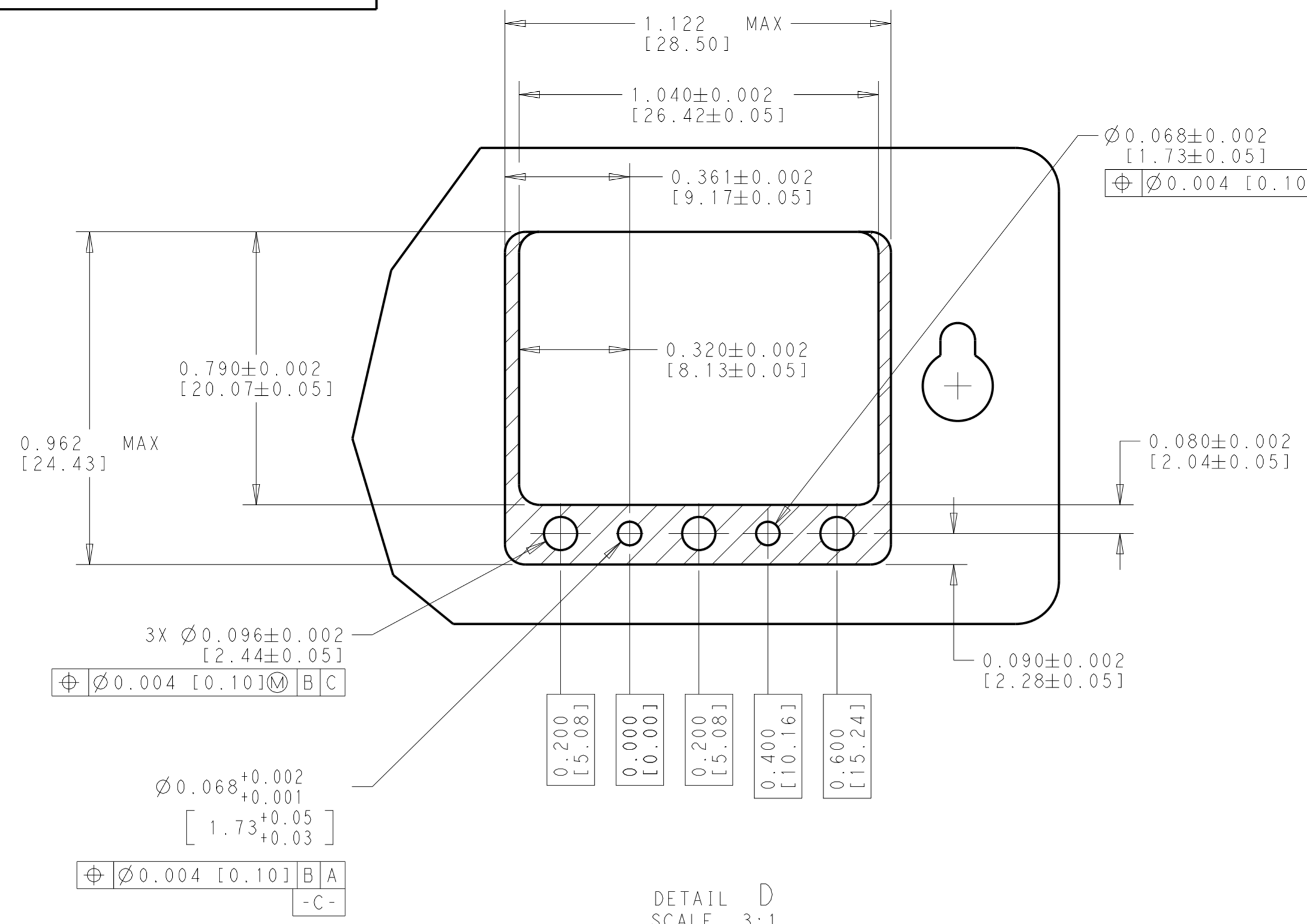
MATERIALS		
COMPONENT	MATERIAL	FINISH
HOUSING	TYPE 303 STAINLESS STEEL	PASSIVATED
SPRING PIN	NICKEL STAINLESS STEEL	PASSIVATED

THIS DRAWING IS A CONTROLLED DOCUMENT.

DWN K. MILLER 13JUN2018		NAME MODULE, 10 POSITION, SMPM VITA 67.3 TYPE A, BACKPLANE
CHK C. GINGRICH 11JAN2019		RESTRICTED TO
APVD -	PRODUCT SPEC -	SIZE A2
APPLICATION SPEC -	WEIGHT -	CAGE CODE 00779
ANGLES ±	FINISH -	DRAWING NO C-2332706
MATERIAL -	SCALE 4:1	SHEET 1 OF 2
REVISIONS	CUSTOMER DRAWING	REV 4

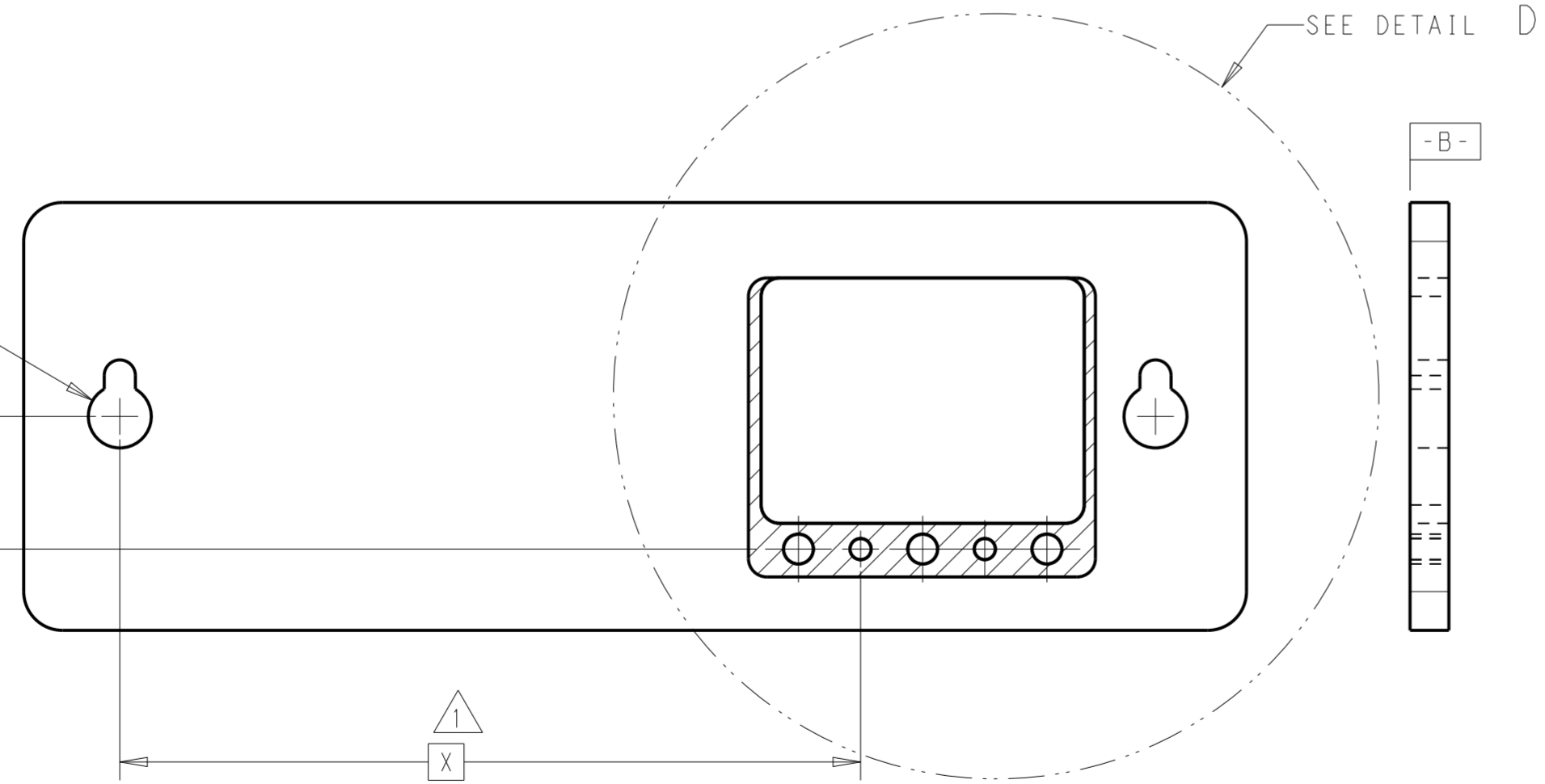
THIS DRAWING IS UNPUBLISHED. RELEASED FOR PUBLICATION 20
 © COPYRIGHT 20 BY - ALL RIGHTS RESERVED.

REVISIONS				
P	LTR	DESCRIPTION	DATE	APVD
-	-	SEE SHEET 1	-	-



- 0.200 [5.08]
- 0.000 [0.00]
- 0.200 [5.08]
- 0.400 [10.16]
- 0.600 [15.24]

DETAIL D
SCALE 3:1



SEE VITA 67 SPECIFICATIONS FOR CONNECTOR LOCATION ON BACKPLANE PCB.

THIS DRAWING IS A CONTROLLED DOCUMENT.		DWN K. MILLER 13 JUN 2018	TE Connectivity	
DIMENSIONS: INCHES [mm]		CHK C. GINGRICH 11 JAN 2019		
TOLERANCES UNLESS OTHERWISE SPECIFIED:		APVD -	NAME MODULE, 10 POSITION, SMPM VITA 67.3 TYPE A, BACKPLANE	
0 PLC ± 1 PLC ± 2 PLC ± 3 PLC ±.005[0.13] 4 PLC ±.0005[0.013]		PRODUCT SPEC -	SIZE A200779	
ANGLES ± FINISH -		APPLICATION SPEC -	DRAWING NO C-2332706	
MATERIAL -		WEIGHT -	RESTRICTED TO -	
CUSTOMER DRAWING		SCALE 4:1	SHEET 2 OF 2	REV 4